



# MX23C3210

## 5 Volt 32-Mbit (4M x 8/2M x 16) Mask ROM

### FEATURES

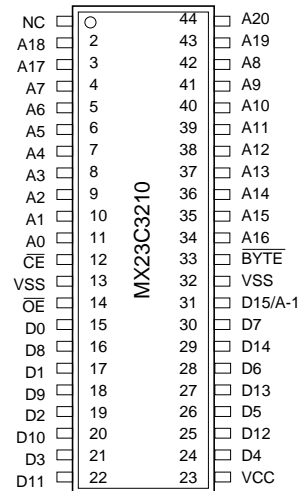
- Bit organization
  - 4M x 8 (byte mode)
  - 2M x 16 (word mode)
- Fast access time
  - Random access: 100ns (max.)
- Current
  - Operating: 60mA
  - Standby: 100uA
- Supply voltage
  - 5V±10%
- Package
  - 44 pin SOP (500mil)
  - 48 pin TSOP (12mm x 20mm)
  - 42 pin DIP (600 mil) (word mode)
  - 44 pin TSOP (Type II)

### PIN DESCRIPTION

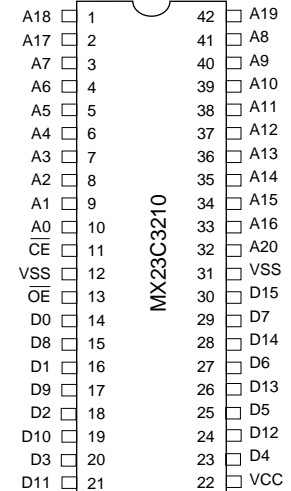
Symbol	Pin Function
A0~A20	Address Inputs
D0~D14	Data Outputs
D15/A-1	D15 (Word Mode)/ LSB Address (Byte Mode)
CE	Chip Enable Input
OE	Output Enable Input
Byte	Word/ Byte Mode Selection
VCC	Power Supply Pin
VSS	Ground Pin
NC	No Connection

### PIN CONFIGURATION

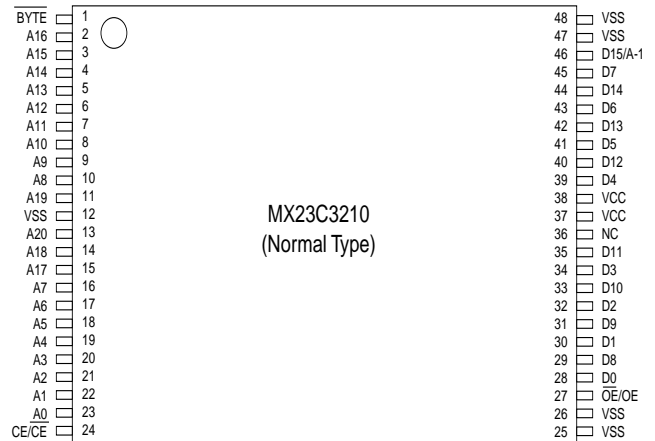
#### 44 SOP/44 TSOP



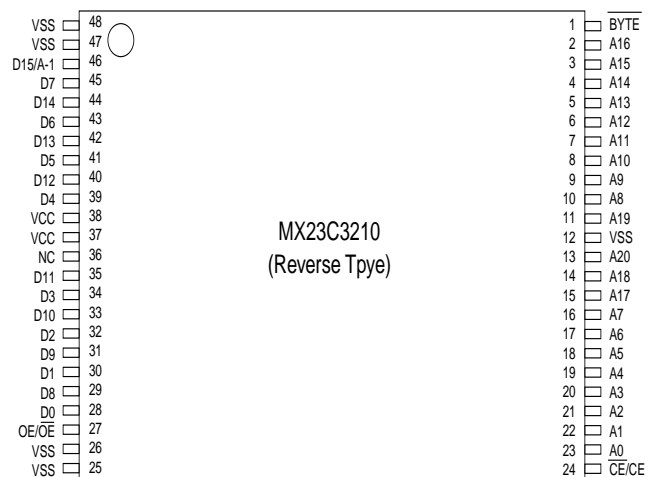
#### 42 DIP (For Word Mode Only)



#### 48 TSOP (Normal Type)



#### 48 TSOP (Reverse Type)





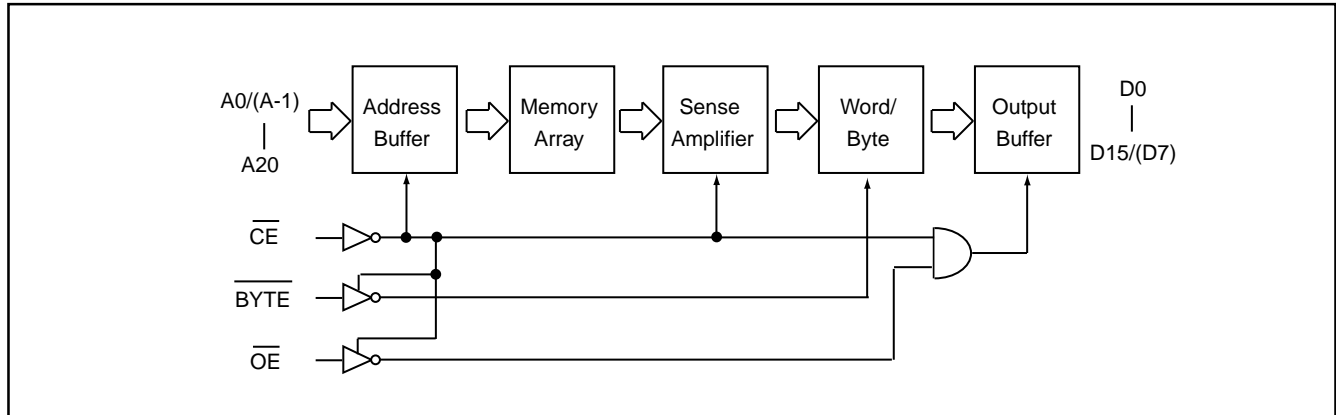
## ORDER INFORMATION

Part No.	Access	Package	Remark
MX23C3210MC-10	100ns	44 pin SOP	
MX23C3210MC-12	120ns	44 pin SOP	
MX23C3210MC-15	150ns	44 pin SOP	
MX23C3210TC-10	100ns	48 pin TSOP	
MX23C3210TC-12	120ns	48 pin TSOP	
MX23C3210TC-15	150ns	48 pin TSOP	
MX23C3210RC-10	100ns	48 pin TSOP (Reverse type)	
MX23C3210RC-12	120ns	48 pin TSOP (Reverse type)	
MX23C3210RC-15	150ns	48 pin TSOP (Reverse type)	
MX23C3210PC-10	100ns	42 pin DIP	
MX23C3210PC-12	120ns	42 pin DIP	
MX23C3210PC-15	150ns	42 pin DIP	
MX23C3210YC-10	100ns	44 pin TSOP	
MX23C3210YC-12	120ns	44 pin TSOP	
MX23C3210YC-15	150ns	44 pin TSOP	
MX23C3210TI-10*	100ns	48 pin TSOP	
MX23C3210TI-12*	120ns	48 pin TSOP	
MX23C3210MC-10G	100ns	44 pin SOP	Pb-free
MX23C3210MC-12G	120ns	44 pin SOP	Pb-free
MX23C3210PC-10G	100ns	42 pin DIP	Pb-free
MX23C3210PC-12G	120ns	42 pin DIP	Pb-free
MX23C3210TC-10G	100ns	48 pin TSOP	Pb-free
MX23C3210TC-12G	120ns	48 pin TSOP	Pb-free

\*Note: Temperature: -40°C~85°C

## MODE SELECTION

CE	OE	Byte	D15/A-1	D0~D7	D8~D15	Mode	Power
H	X	X	X	High Z	High Z	-	Stand-by
L	H	X	X	High Z	High Z	-	Active
L	L	H	Output	D0~D7	D8~D15	Word	Active
L	L	L	Input	D0~D7	High Z	Byte	Active

**BLOCK DIAGRAM**

**ABSOLUTE MAXIMUM RATINGS**

Item	Symbol	Ratings
Voltage on any Pin Relative to VSS	VIN	-0.5V to 7.0V
Ambient Operating Temperature	T <sub>opr</sub>	-40° C to 85° C
Storage Temperature	T <sub>stg</sub>	-65° C to 125° C

**DC CHARACTERISTICS** (T<sub>a</sub> = -40° C ~ 85° C, VCC = 5V±10%)

Item	Symbol	MIN.	MAX.	Conditions
Output High Voltage	VOH	2.4V	-	I <sub>OH</sub> = -1.0mA
Output Low Voltage	VOL	-	0.4V	I <sub>OL</sub> = 2.1mA
Input High Voltage	VIH	2.2V	VCC+0.3V	
Input Low Voltage	VIL	-0.3V	0.8V	
Input Leakage Current	ILI	-	5uA	0V, VCC
Output Leakage Current	ILO	-	5uA	0V, VCC
Operating Current	ICC1	-	60mA	t <sub>RC</sub> = 100ns, all output open
Standby Current (TTL)	ISTB1	-	1mA	CE = VIH
Standby Current (cmos)	ISTB2	-	100uA	CE > VCC-0.2V
Input Capacitance	CIN	-	10pF	T <sub>a</sub> = 25° C, f = 1MHZ
Output Capacitance	COUT	-	10pF	T <sub>a</sub> = 25° C, f = 1MHZ

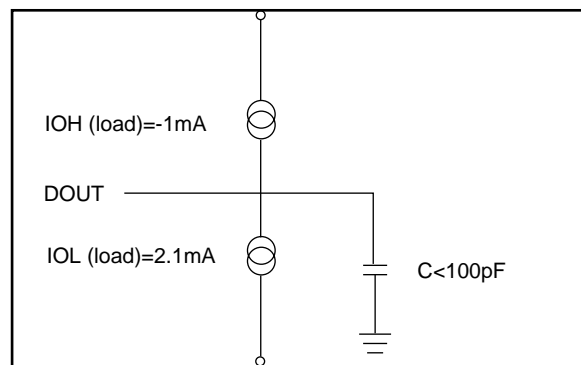
## AC CHARACTERISTICS (Ta = -40° C ~ 85° C, VCC = 5V±10%)

Item	Symbol	23C3210-10		23C3210-12		23C3210-15	
		MIN.	MAX.	MIN.	MAX.	MIN.	MAX.
Read Cycle Time	tRC	100ns	-	120ns	-	150ns	-
Address Access Time	tAA	-	100ns	-	120ns	-	150ns
Chip Enable Access Time	tACE	-	100ns	-	120ns	-	150ns
Output Enable Time	tOE	-	50ns	-	60ns	-	70ns
Output Hold After Address	tOH	0ns	-	0ns	-	0ns	-
Output High Z Delay	tHZ	-	20ns	-	20ns	-	20ns

Note: Output high-impedance delay (tHZ) is measured from  $\overline{OE}$  going high, and this parameter guaranteed by design over the full voltage and temperature operating range - not tested.

### AC Test Conditions

Input Pulse Levels	0.4V~2.4V
Input Rise and Fall Times	10ns
Input Timing Level	1.5V
Output Timing Level	0.8V and 2.0V
Output Load	See Figure



Note:

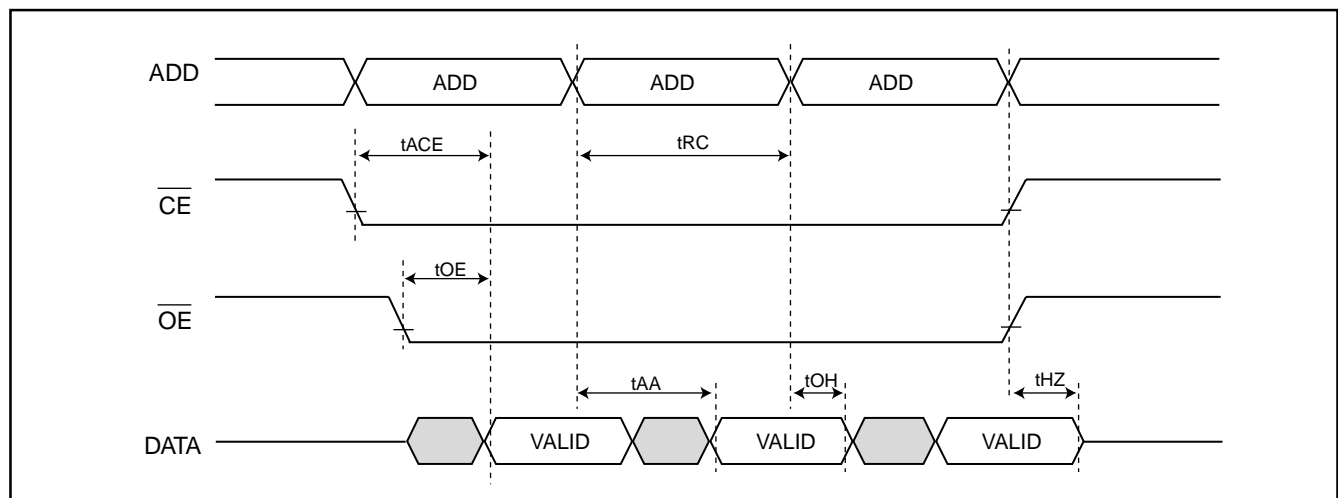
No output loading is present in tester load board.

Active loading is used and under software programming control.

Output loading capacitance includes load board's and all stray capacitance.

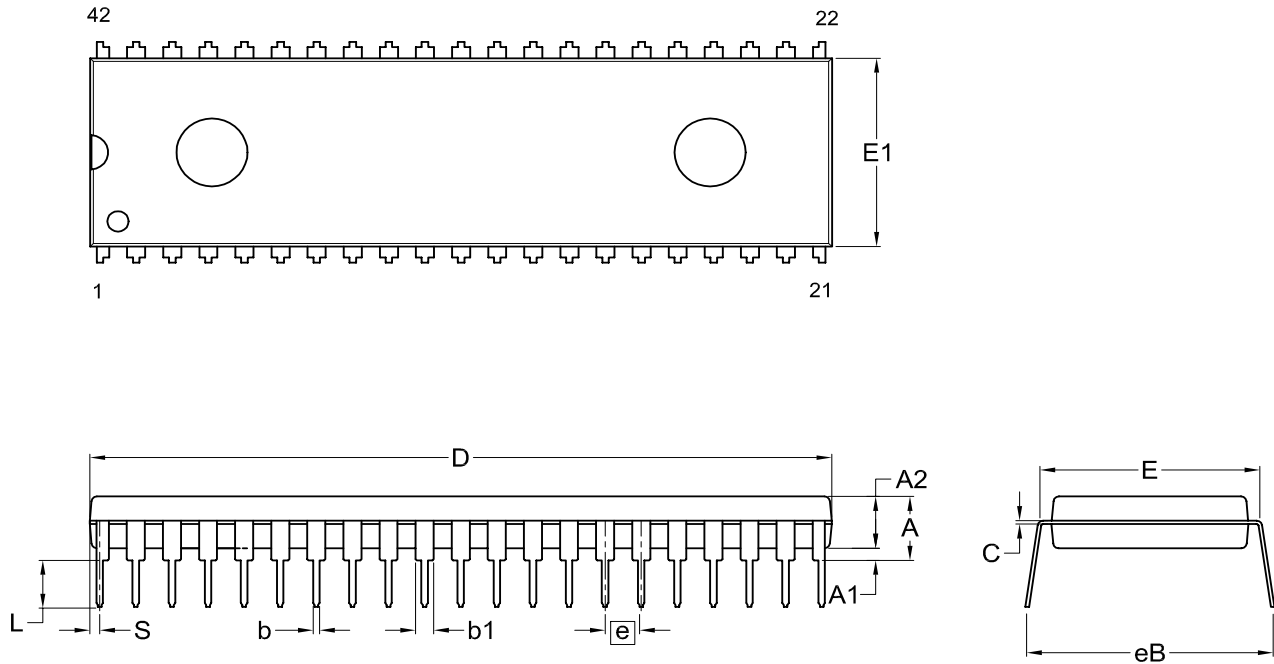
### TIMING DIAGRAM

#### RANDOM READ



## PACKAGE INFORMATION

**Title:** Package Outline for PDIP 42L (600MIL)

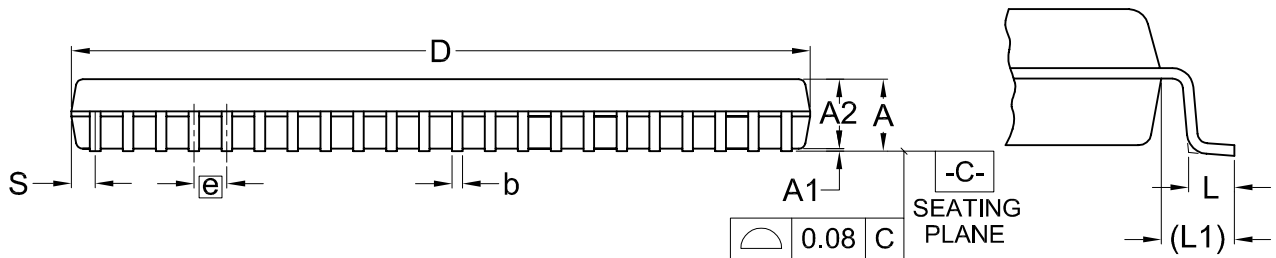
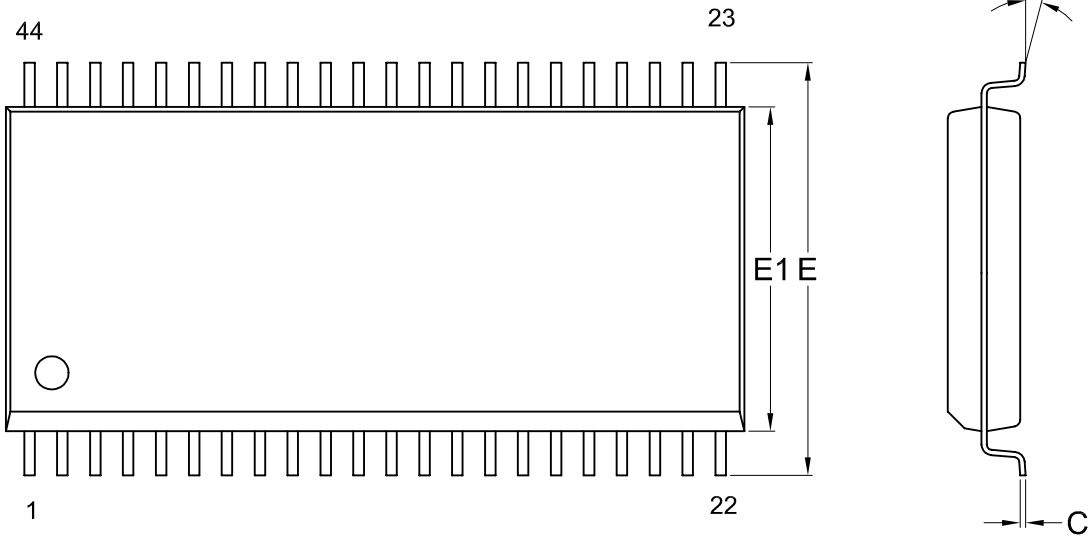


Dimensions (inch dimensions are derived from the original mm dimensions)

SYMBOL UNIT	A	A1	A2	b	b1	C	D	E	E1	e	eB	L	S
	<b>mm</b>	Min. ---	0.25	3.73	0.38	1.14	0.20	51.31	15.11	13.84		15.75	2.92
	Nom. ---	---	3.94	0.46	1.27	0.25	51.94	15.24	13.97	2.54	16.51	3.30	0.64
	Max. 4.90	0.76	4.14	0.53	1.40	0.30	52.57	15.37	14.10		17.27	3.68	0.89
<b>Inch</b>	Min. —	0.010	0.147	0.015	0.045	0.008	2.020	0.595	0.545		0.620	0.115	0.015
	Nom. —	—	0.155	0.018	0.050	0.010	2.045	0.600	0.550	0.100	0.650	0.130	0.025
	Max. 0.193	0.030	0.163	0.021	0.055	0.012	2.070	0.605	0.555		0.680	0.145	0.035

DWG.NO.	REVISION	REFERENCE			ISSUE DATE
		JEDEC	EIAJ		
6110-0202.5	8				11-24-'03

**Title: Package Outline for SOP 44L (500MIL)**

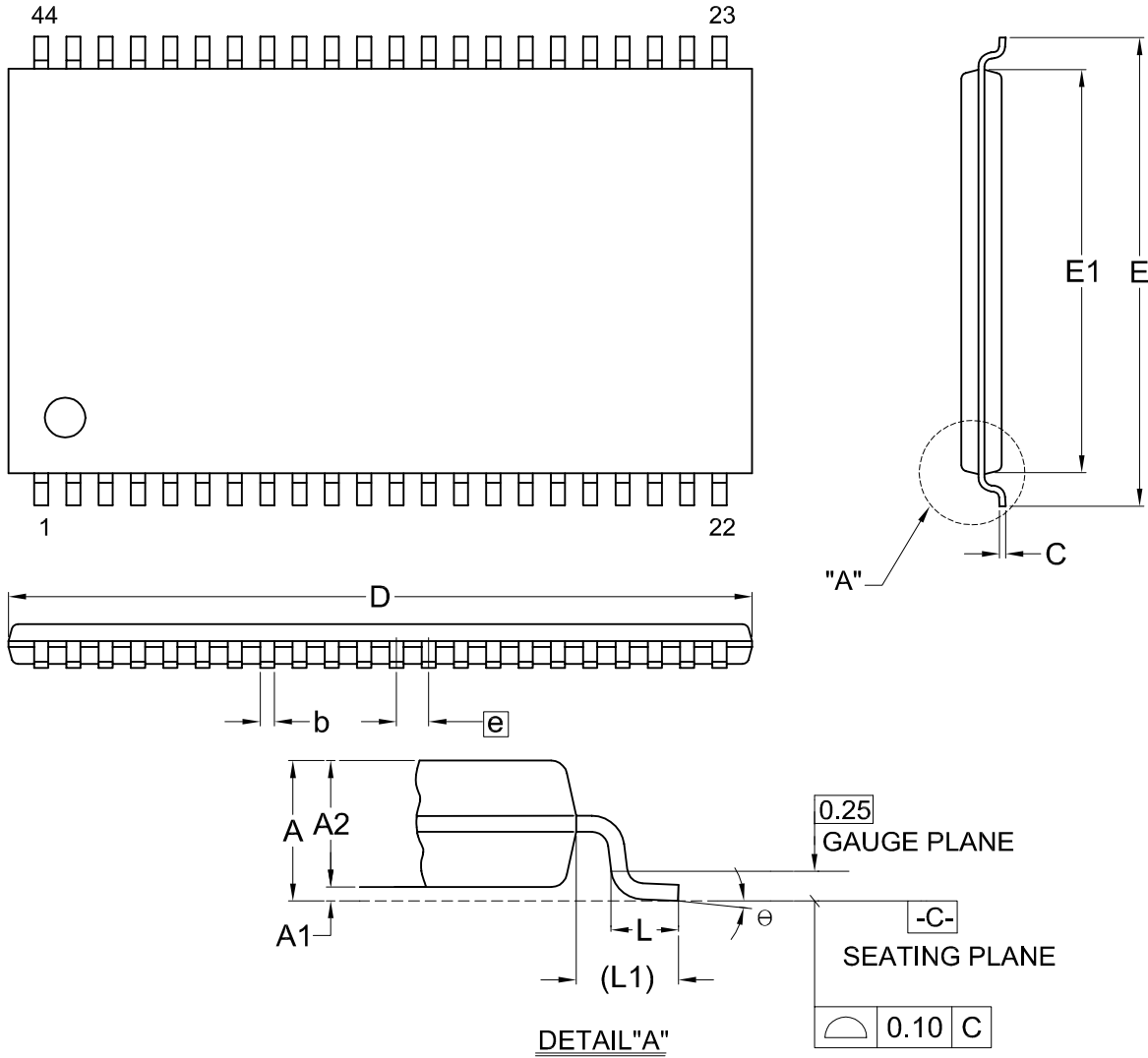


Dimensions (inch dimensions are derived from the original mm dimensions)

SYMBOL		A	A1	A2	b	C	D	E	E1	e	L	L1	S	$\theta$
UNIT														
mm	Min.	---	0.10	2.59	0.36	0.15	28.37	15.83	12.47		0.56	1.51	0.78	0
	Nom.	---	0.15	2.69	0.41	0.20	28.50	16.03	12.60	1.27	0.76	1.71	0.91	5
	Max.	3.00	0.20	2.80	0.51	0.25	28.63	16.23	12.73		0.96	1.91	1.04	10
Inch	Min.	---	0.004	0.102	0.014	0.006	1.117	0.623	0.491		0.022	0.059	0.031	0
	Nom.	---	0.006	0.106	0.016	0.008	1.122	0.631	0.496	0.050	0.030	0.067	0.036	5
	Max.	0.118	0.008	0.110	0.020	0.010	1.127	0.639	0.501		0.038	0.075	0.041	10

DWG.NO.	REVISION	REFERENCE			ISSUE DATE
		JEDEC	EIAJ		
6110-1405	6	MO-175			11-26-'03

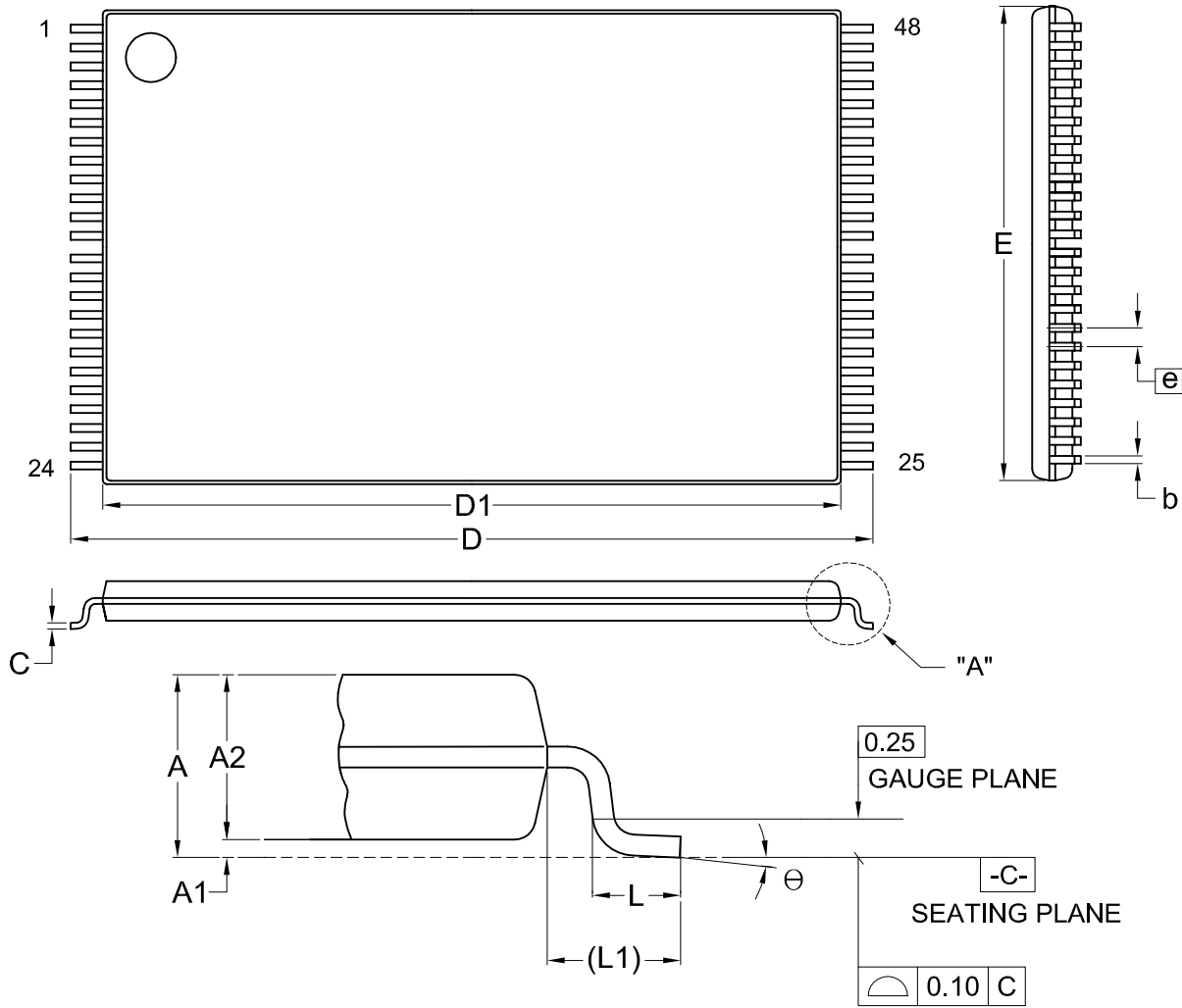
**Title: Package Outline for TSOP(II) 44L (400MIL)**



Dimensions (inch dimensions are derived from the original mm dimensions)

SYMBOL		A	A1	A2	b	C	D	E	E1	e	L	L1	Θ
UNIT													
mm	Min.	---	0.05	0.95	0.30	0.12	18.31	11.56	10.06		0.40	0.70	0
	Nom.	---	0.10	1.00	0.35	0.15	18.41	11.76	10.16	0.80	0.50	0.80	5
	Max.	1.20	0.15	1.05	0.45	0.21	18.51	11.96	10.26		0.60	0.90	8
Inch	Min.	---	0.002	0.037	0.012	0.005	0.721	0.455	0.396		0.016	0.028	0
	Nom.	---	0.004	0.039	0.014	0.006	0.725	0.463	0.400	0.031	0.020	0.031	5
	Max.	0.047	0.006	0.041	0.018	0.008	0.729	0.471	0.404		0.024	0.035	8

DWG.NO.	REVISION	REFERENCE			ISSUE DATE
		JEDEC	EIAJ		
6110-1701	6	MS-024			12-01-'03

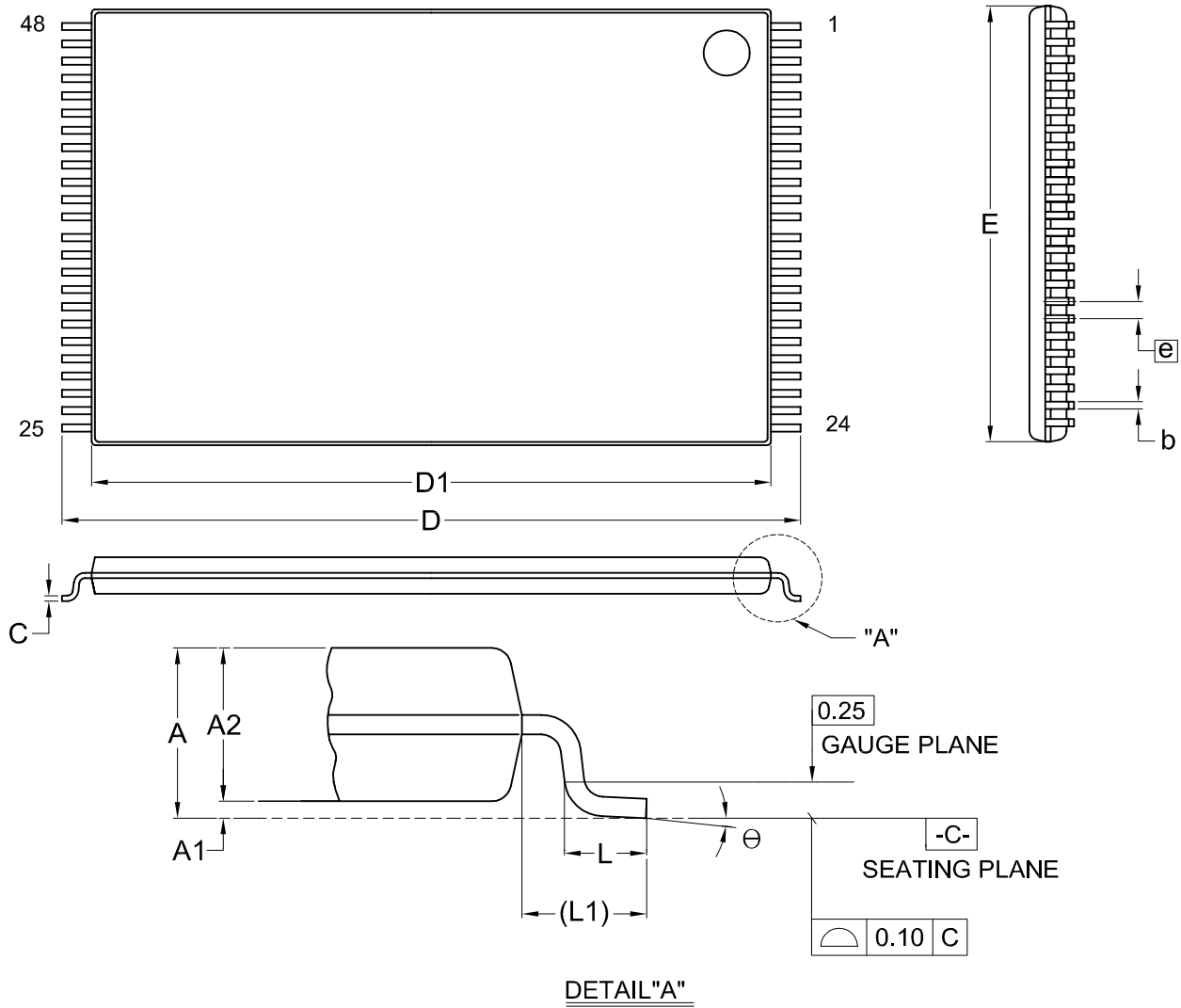
**Title: Package Outline for TSOP(I) 48L (12X20mm)NORMAL FORM**

**DETAIL "A"**

Dimensions (inch dimensions are derived from the original mm dimensions)

SYMBOL		A	A1	A2	b	C	D	D1	E	e	L	L1	θ
UNIT													
mm	Min.	---	0.05	0.95	0.17	0.10	19.80	18.30	11.90		0.50	0.70	0
	Nom.	---	0.10	1.00	0.20	0.13	20.00	18.40	12.00	0.50	0.60	0.80	5
	Max.	1.20	0.15	1.05	0.27	0.21	20.20	18.50	12.10		0.70	0.90	8
Inch	Min.	---	0.002	0.037	0.007	0.004	0.780	0.720	0.469		0.020	0.028	0
	Nom.	---	0.004	0.039	0.008	0.005	0.787	0.724	0.472	0.020	0.024	0.031	5
	Max.	0.047	0.006	0.041	0.011	0.008	0.795	0.728	0.476		0.028	0.035	8

DWG.NO.	REVISION	REFERENCE			ISSUE DATE
		JEDEC	EIAJ		
6110-1607	7	MO-142			12-01-'03



**Title: Package Outline for TSOP(I) 48L (12X20mm)REVERSE FORM**


Dimensions (inch dimensions are derived from the original mm dimensions)

SYMBOL		A	A1	A2	b	C	D	D1	E	e	L	L1	θ
UNIT													
mm	Min.	---	0.05	0.95	0.17	0.10	19.80	18.30	11.90		0.50	0.70	0
	Nom.	---	0.10	1.00	0.20	0.13	20.00	18.40	12.00	0.50	0.60	0.80	5
	Max.	1.20	0.15	1.05	0.27	0.21	20.20	18.50	12.10		0.70	0.90	8
Inch	Min.	---	0.002	0.037	0.007	0.004	0.780	0.720	0.469		0.020	0.028	0
	Nom.	---	0.004	0.039	0.008	0.005	0.787	0.724	0.472	0.020	0.024	0.031	5
	Max.	0.047	0.006	0.041	0.011	0.008	0.795	0.728	0.476		0.028	0.035	8

DWG.NO.	REVISION	REFERENCE			ISSUE DATE
		JEDEC	EIAJ		
6110-1607.1	7	MO-142			12-01-'03

**REVISION HISTORY**

<b>Revision</b>	<b>Description</b>	<b>Page</b>	<b>Date</b>
2.6	DC Characteristics: The input leakage current (ILI) is changed as 5uA instead of 10uA. The output leakage current (ILO) is changed as 5uA instead 10uA. The power down supply current (ISTB2) is changed as 100uA instead of 5uA.		
2.7	AC Characteristics: Added 100ns grade item, deleted 200ns grade item. The output enable time (tOE) is changed as 60ns instead of 70ns in 120ns grade item, and 70ns instead of 80ns grade item. The output high Z delay is changed as 20ns instead of 70ns.		MAR/25/1998
2.8	AC Characteristics: tOH 10ns --> 0ns	P3	FEB/01/1999
2.9	Typing error correction	P1	JAN/18/2000
3.0	Modify Package Information Added 44-pin TSOP(Type II) Package	P5~7 P1,8	JUL/17/2001
3.1	Added MX23C3210TI-10 & MX23C3210TI-12 in Order Information	P1	JUL/31/2001
3.2	Change Ambient Operating Temperature:0° C to 70° C-->-40° C to 85° C	P3	SEP/04/2001
3.3	Modify Package Information	P5~9	NOV/21/2002
3.4	Modify 42-PDIP Package Information	P5	JUN/20/2003
3.5	1. Add Pb-free in ordering information	P2	JUN/30/2004



**MX23C3210**

---

---

**MACRONIX INTERNATIONAL Co., LTD.**

**Headquarters:**

TEL:+886-3-578-6688

FAX:+886-3-563-2888

**Europe Office :**

TEL:+32-2-456-8020

FAX:+32-2-456-8021

**Hong Kong Office :**

TEL:+86-755-834-335-79

FAX:+86-755-834-380-78

**Japan Office :**

**Kawasaki Office :**

TEL:+81-44-246-9100

FAX:+81-44-246-9105

**Osaka Office :**

TEL:+81-6-4807-5460

FAX:+81-6-4807-5461

**Singapore Office :**

TEL:+65-6346-5505

FAX:+65-6348-8096

**Taipei Office :**

TEL:+886-2-2509-3300

FAX:+886-2-2509-2200

**MACRONIX AMERICA, INC.**

TEL:+1-408-262-8887

FAX:+1-408-262-8810

*<http://www.macronix.com>*

---