



# MX23C4000

## 4M-BIT MASK ROM (8 BIT OUTPUT)

### FEATURES

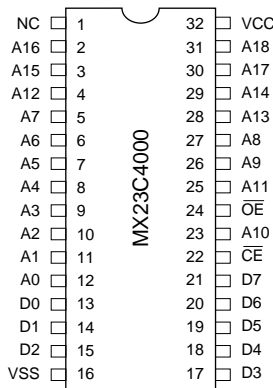
- Bit organization
  - 512K x 8 (byte mode)
- Fast access time
  - Random access: 90ns (max.)
- Current
  - Operating: 35mA
  - Standby: 100uA
- Supply voltage
  - 5V ± 10%
- Package
  - 32 pin PDIP (600 mil)
  - 32 pin PLCC
  - 32 pin SOP (450 mil)
  - 32 pin TSOP (8mm x 20mm)

### ORDER INFORMATION

Part No.	Access Time	Package
MX23C4000PC-90	90ns	32 pin PDIP
MX23C4000PC-10	100ns	32 pin PDIP
MX23C4000PC-12	120ns	32 pin PDIP
MX23C4000PC-15	150ns	32 pin PDIP
MX23C4000QC-10	100ns	32 pin PLCC
MX23C4000QC-12	120ns	32 pin PLCC
MX23C4000QC-15	150ns	32 pin PLCC
MX23C4000MC-90	90ns	32 pin SOP
MX23C4000MC-10	100ns	32 pin SOP
MX23C4000MC-12	120ns	32 pin SOP
MX23C4000MC-15	150ns	32 pin SOP
MX23C4000TC-10	100ns	32 pin TSOP
MX23C4000TC-12	120ns	32 pin TSOP
MX23C4000TC-15	150ns	32 pin TSOP

### PIN CONFIGURATION

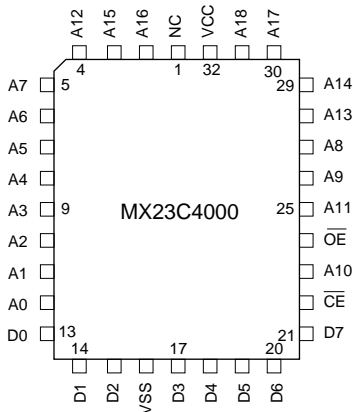
#### 32 PDIP / 32 SOP



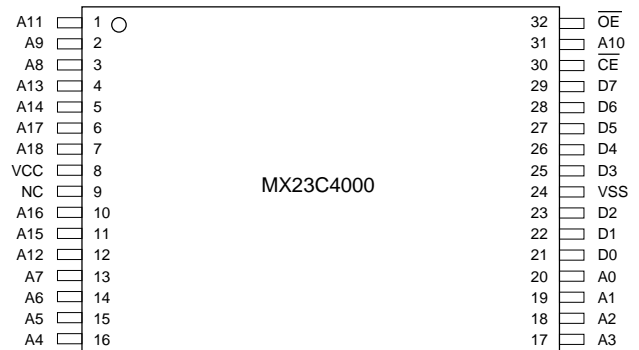
### PIN DESCRIPTION

Symbol	Pin Function
A0~A18	Address Inputs
D0~D7	Data Outputs
$\overline{CE}$	Chip Enable Input
$\overline{OE}$	Output Enable Input
VCC	Power Supply Pin
VSS	Ground Pin
NC	No Connection

#### 32 PLCC



#### 32 TSOP



**ABSOLUTE MAXIMUM RATINGS**

Item	Symbol	Ratings
Power Supply Voltage	VCC	-0.5V to 7.0V
Input Voltage	VI	-0.5V to VCC + 0.5V
Output Voltage	VO	-0.5V to VCC + 0.5V
Ambient Operating Temperature	T <sub>opr</sub>	-10° C to 70° C
Storage Temperature	T <sub>stg</sub>	-65° C to 125° C

Note: minimum DC voltage on input or I/O pins is -0.5V. During voltage transitions, inputs may undershoot VSS to -2.0V for periods of up to 20ns. Maximum DC voltage on input or I/O pins is VCC+0.5V. During voltage transitions, input may overshoot VCC to VCC+2.0V for periods of up to 20ns.

**DC CHARACTERISTICS (Ta = -10° C ~ 70° C, VCC = 5.0V ± 10%)**

Item	Symbol	MIN.	MAX.	Conditions
Output High Voltage	VOH	0.8VCC	-	IOH = -100uA
Output Low Voltage	VOL	-	0.4V	IOL = 2.1mA
Input High Voltage	VIH	2.2V	VCC+0.5V	
Input Low Voltage	VIL	-0.3V	0.8V	
Input Leakage Current	ILI	-	10uA	0V, VCC
Output Leakage Current	ILO	-	10uA	0V, VCC
Operating Current	ICC1	-	35mA	t <sub>RC</sub> = 100ns, all output open
Standby Current (TTL)	ISTB1	-	1mA	$\overline{CE}$ = VIH
Standby Current (CMOS)	ISTB2	-	100uA	$\overline{CE}$ > VCC - 0.2V
Input Capacitance	CIN	-	10pF	Ta = 25° C, f = 1MHz
Output Capacitance	COUT	-	10pF	Ta = 25° C, f = 1MHz

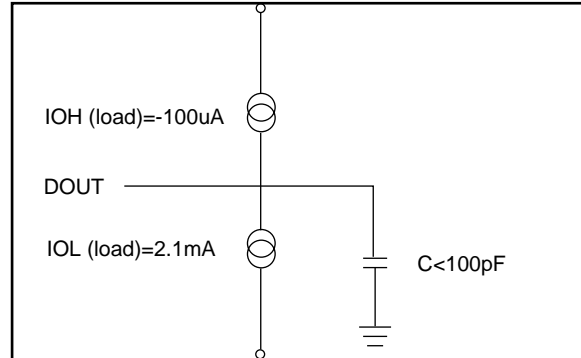
**AC CHARACTERISTICS (Ta = -10° C ~ 70° C, VCC = 5.0V ± 10%)**

Item	Symbol	23C4000-90		23C4000-10		23C4000-12		23C4000-15	
		MIN.	MAX.	MIN.	MAX.	MIN.	MAX.	MIN.	MAX.
Read Cycle Time	t <sub>RC</sub>	90ns	-	100ns	-	120ns	-	150ns	-
Address Access Time	t <sub>AA</sub>	-	90ns	-	100ns	-	120ns	-	150ns
Chip Enable Access Time	t <sub>ACE</sub>	-	90ns	-	100ns	-	120ns	-	150ns
Output Enable Time	t <sub>OE</sub>	-	45ns	-	50ns	-	60ns	-	70ns
Output Hold After Address	t <sub>OH</sub>	0ns	-	0ns	-	0ns	-	0ns	-
Output High Z Delay	t <sub>HZ</sub>	-	20ns	-	20ns	-	20ns	-	20ns

Note : Output high-impedance delay (t<sub>HZ</sub>) is measured from  $\overline{OE}$  or  $\overline{CE}$  going high, and this parameter guaranteed by design over the full voltage and temperature operating range - not tested.

## AC Test Conditions

- Input Pulse Levels : 0.4V~2.4V
- Input Rise and Fall Times : 10ns
- Input Timing Level : 1.5V
- Output Timing Level : 0.8V and 2.0V
- Output Load : See Figure



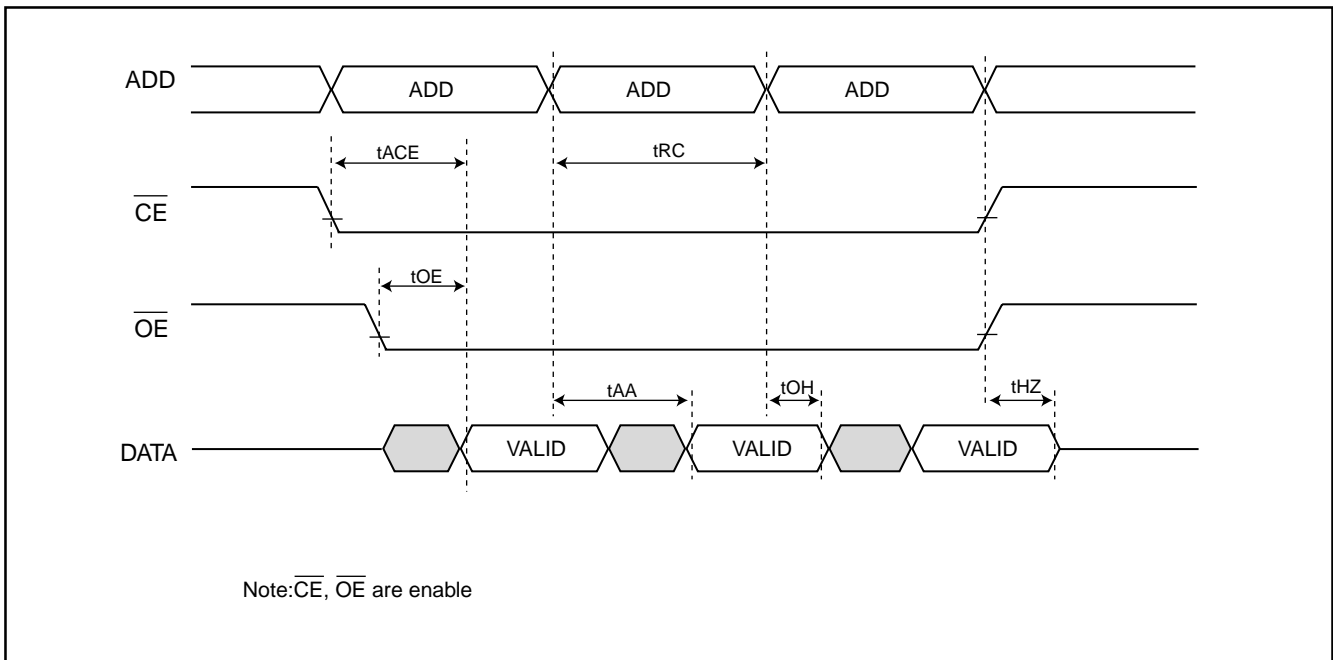
Note: No output loading is present in tester load board.

Active loading is used and under software programming control.

Output loading capacitance includes load board's and all stray capacitance.

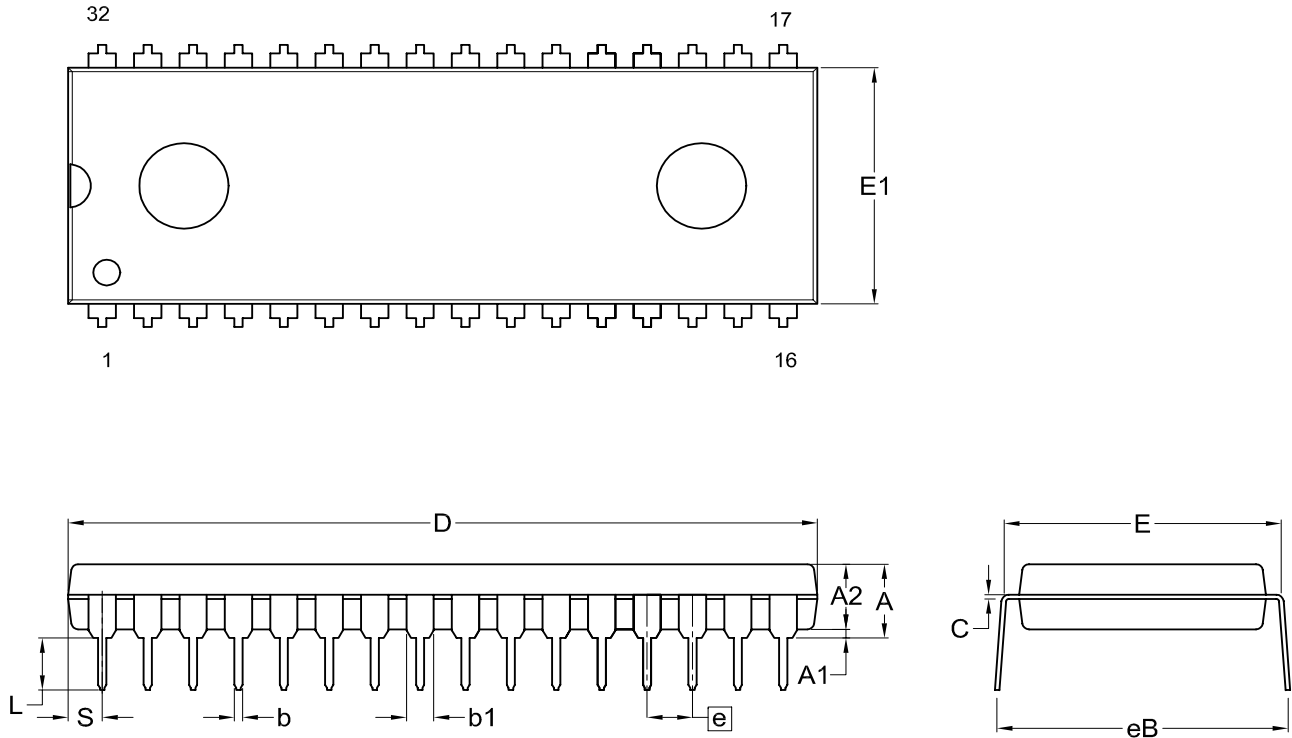
## TIMING DIAGRAM

### RANDOM READ



## PACKAGE INFORMATION

Title: Package Outline for PDIP 32L(600MIL)

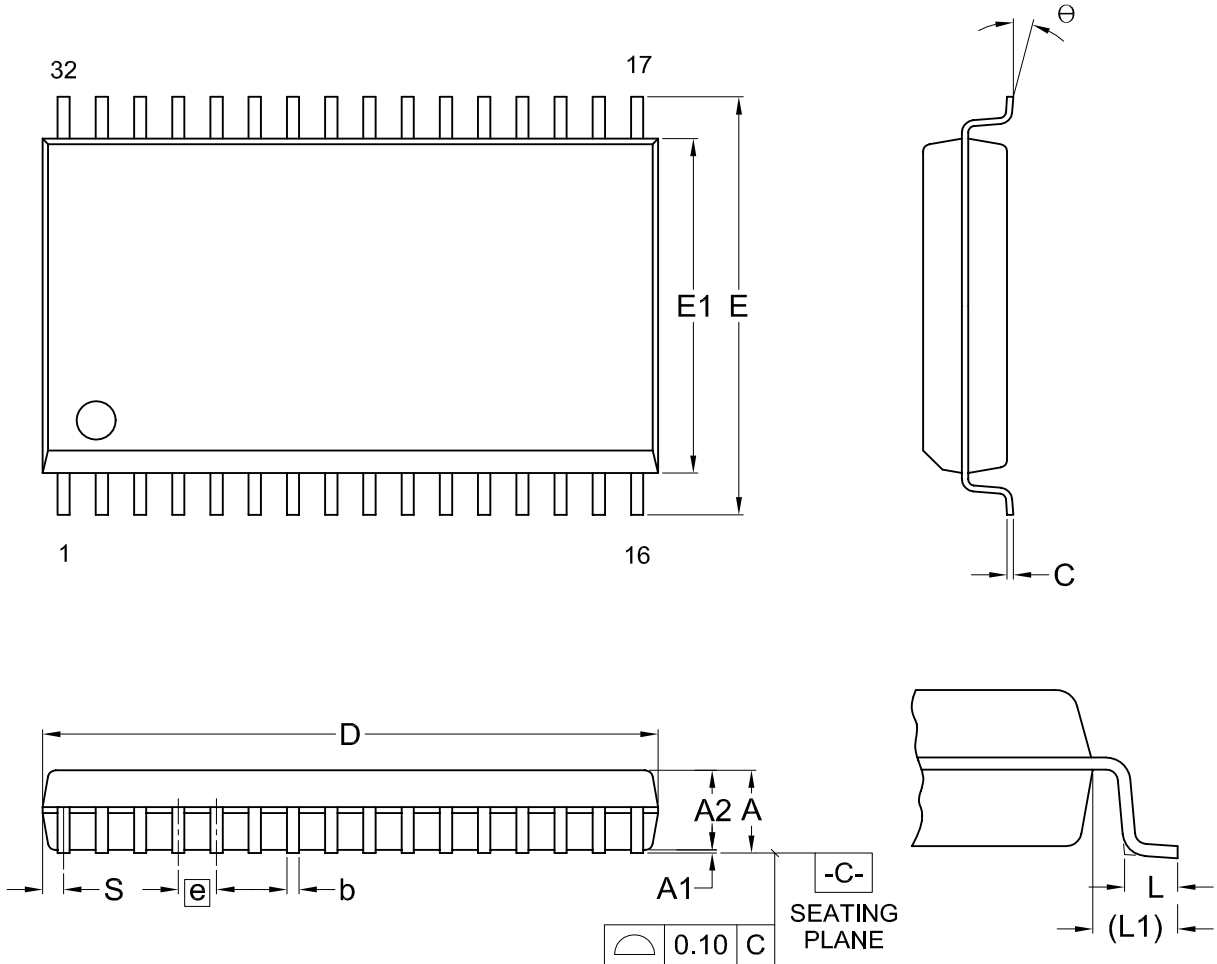


Dimensions (inch dimensions are derived from the original mm dimensions)

SYMBOL		A	A1	A2	b	b1	C	D	E	E1	e	eB	L	S
mm	Min.	—	0.38	3.73	0.38	1.14	0.20	41.78	15.11	13.84		15.75	2.92	1.65
	Nom.	—	—	3.94	0.46	1.27	0.25	41.91	15.24	13.97	2.54	16.51	3.30	1.90
	Max.	4.90	0.76	4.14	0.53	1.40	0.30	42.04	15.37	14.10		17.27	3.68	2.16
Inch	Min.	---	0.015	0.147	0.015	0.045	0.008	1.645	0.595	0.545		0.620	0.115	0.065
	Nom.	---	---	0.155	0.018	0.050	0.010	1.650	0.600	0.550	0.100	0.650	0.130	0.075
	Max.	0.193	0.030	0.163	0.021	0.055	0.012	1.655	0.605	0.555		0.680	0.145	0.085

DWG.NO.	REVISION	REFERENCE			ISSUE DATE
		JEDEC	EIAJ		
6110-0202.2	7				11-24-'03

**Title: Package Outline for SOP 32L (450MIL)**

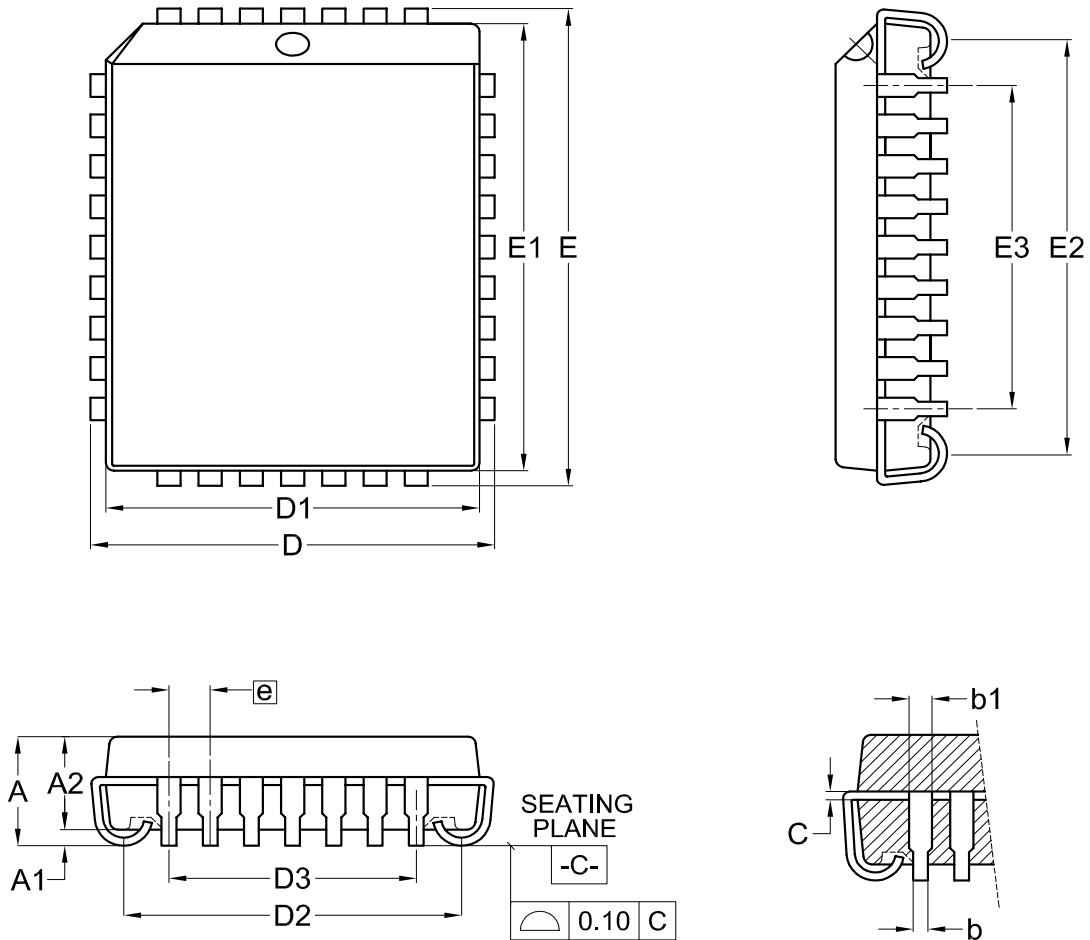


Dimensions (inch dimensions are derived from the original mm dimensions)

SYMBOL		A	A1	A2	b	C	D	E	E1	e	L	L1	S	$\theta$
UNIT														
mm	Min.	---	0.10	2.59	0.36	0.15	20.32	13.92	11.18		0.56	1.20	0.58	0
	Nom.	---	0.15	2.69	0.41	0.20	20.45	14.12	11.30	1.27	0.76	1.40	0.70	5
	Max.	3.00	0.20	2.80	0.51	0.25	20.57	14.32	11.43		0.96	1.60	0.83	8
Inch	Min.	---	0.004	0.102	0.014	0.006	0.800	0.548	0.440		0.022	0.047	0.023	0
	Nom.	---	0.006	0.106	0.016	0.008	0.805	0.556	0.445	0.050	0.030	0.055	0.028	5
	Max.	0.118	0.008	0.110	0.020	0.010	0.810	0.564	0.450		0.038	0.063	0.033	8

DWG.NO.	REVISION	REFERENCE			ISSUE DATE
		JEDEC	EIAJ		
6110-1404	5	MO-099			11-26-'03

**Title: Package Outline for 32L PLCC**

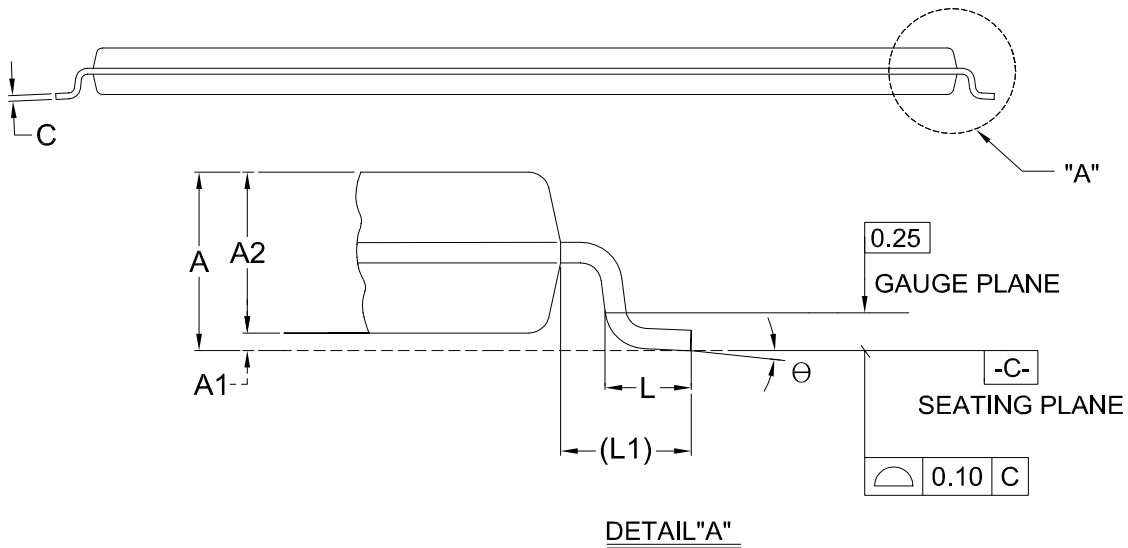
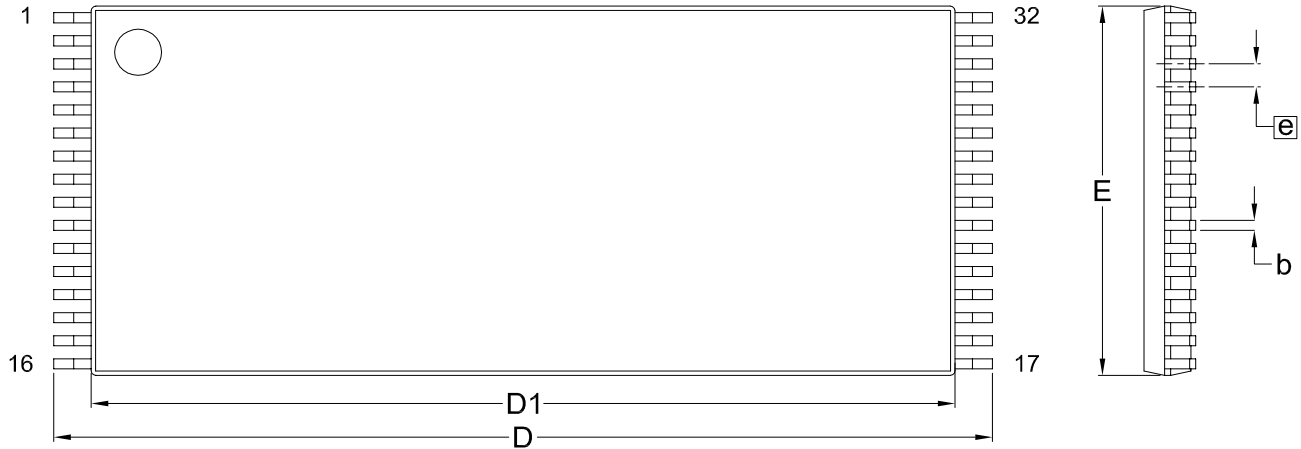


Dimensions (inch dimensions are derived from the original mm dimensions)

SYMBOL		A	A1	A2	b	b1	C	D	D1	D2	D3	E	E1	E2	E3	e
mm	Min.	---	0.38	2.69	0.38	0.61	0.20	12.32	11.36	10.11		14.86	13.98	12.65		
	Nom.	---	0.58	2.79	0.46	0.71	0.25	12.45	11.43	10.41	7.62	14.99	14.05	12.95	10.16	1.27
	Max.	3.55	0.81	2.89	0.54	0.81	0.30	12.58	11.50	10.71		15.12	14.12	13.25		
Inch	Min.	---	0.015	0.106	0.015	0.024	0.008	0.485	0.447	0.398		0.585	0.550	0.498		
	Nom.	---	0.023	0.110	0.018	0.028	0.010	0.490	0.450	0.410	0.300	0.590	0.553	0.510	0.400	0.050
	Max.	0.140	0.032	0.114	0.021	0.032	0.012	0.495	0.453	0.422		0.595	0.556	0.522		

DWG.NO.	REVISION	REFERENCE			ISSUE DATE
		JEDEC	EIAJ		
6110-2002	7	MS-016			12-10-'03

**Title: Package Outline for TSOP(I) 32L (8X20mm)**



Dimensions (inch dimensions are derived from the original mm dimensions)

SYMBOL		A	A1	A2	b	C	D	D1	E	e	L	L1	θ
mm	Min.	---	0.05	0.95	0.17	0.10	19.80	18.30	7.90		0.50	0.70	0
	Nom.	---	0.10	1.00	0.20	0.15	20.00	18.40	8.00	0.50	0.60	0.80	5
	Max.	1.20	0.15	1.05	0.27	0.21	20.20	18.50	8.10		0.70	0.90	8
Inch	Min.	---	0.002	0.037	0.007	0.004	0.780	0.720	0.311		0.020	0.028	0
	Nom.	---	0.004	0.039	0.008	0.006	0.787	0.724	0.315	0.020	0.024	0.031	5
	Max.	0.047	0.006	0.041	0.011	0.008	0.795	0.728	0.319		0.028	0.035	8

DWG.NO.	REVISION	REFERENCE			ISSUE DATE
		JEDEC	EIAJ		
6110-1604	9	MO-142			11-26-'03



**REVISION HISTORY**

<b>REVISION</b>	<b>DESCRIPTION</b>	<b>PAGE</b>	<b>DATE</b>
3.7	AC Characteristics: tOH 10ns --> 0ns	P3	JAN/29/1999
3.8	Add 4000PC-90 32 pin PDIP	P1	JUN/02/1999
3.9	Modify DC Characteristics:ILI/ILO:5uA-->10uA; ISTB2:100mA-->100uA	P2 P2	OCT/17/2000
4.0	Modify Package Information	P4~7	JUL/16/2001
4.1	Modify Package Information	P4~7	NOV/21/2001
4.2	Added "ABSOLUTE MAXIMUM RATINGS" note	P2	JUN/19/2003





**MX23C4000**

---

---

**MACRONIX INTERNATIONAL Co., LTD.**

**Headquarters:**

TEL:+886-3-578-6688

FAX:+886-3-563-2888

**Europe Office :**

TEL:+32-2-456-8020

FAX:+32-2-456-8021

**Hong Kong Office :**

TEL:+86-755-834-335-79

FAX:+86-755-834-380-78

**Japan Office :**

**Kawasaki Office :**

TEL:+81-44-246-9100

FAX:+81-44-246-9105

**Osaka Office :**

TEL:+81-6-4807-5460

FAX:+81-6-4807-5461

**Singapore Office :**

TEL:+65-6346-5505

FAX:+65-6348-8096

**Taipei Office :**

TEL:+886-2-2509-3300

FAX:+886-2-2509-2200

**MACRONIX AMERICA, INC.**

TEL:+1-408-262-8887

FAX:+1-408-262-8810

*<http://www.macronix.com>*

---