



# NJG1553BF

## ■ABSOLUTE MAXIMUM RATINGS

( $T_a=25^{\circ}\text{C}$ ,  $Z_s=Z_l=50\Omega$ )

PARAMETER	SYMBOL	CONDITIONS	RATINGS	UNITS
Mixer Supply Voltage	$V_{\text{MIX}}$		6.5	V
Local amp. Supply Voltage	$V_{\text{LO}}$		6.5	V
Mixer RF Input Power	$P_{\text{RFIN}}$	$V_{\text{MIX}}=V_{\text{LO}}=2.7\text{V}$	10	dBm
Mixer LO Input Power	$P_{\text{LOIN}}$	$V_{\text{MIX}}=V_{\text{LO}}=2.7\text{V}$	10	dBm
Power Dissipation	$P_{\text{D}}$		150	mW
Operating Temperature	$T_{\text{opr}}$		-30~+85	$^{\circ}\text{C}$
Storage Temperature	$T_{\text{stg}}$		-40~+150	$^{\circ}\text{C}$

## ■RECOMMENDED OPERATING RANGE

PARAMETER	SYMBOL	CONDITIONS	MIN	TYP	MAX	UNITS
Supply Voltage Mixer	$V_{\text{MIX}}$		2.5	2.7	5.8	V
Supply Voltage Local Amp.	$V_{\text{LO}}$		2.5	2.7	5.8	V

## ■ELECTRICAL CHARACTERISTICS (DC CHARACTERISTICS)

PARAMETER	SYMBOL	CONDITIONS	MIN	TYP	MAX	UNITS
Mixer Current	$I_{\text{MIX}}$	$P_{\text{RF}}=\text{OFF}$ , $P_{\text{LO}}=\text{OFF}$	-	5.0	7.0	mA
Local Amp. Current	$I_{\text{LO}}$	$P_{\text{RF}}=\text{OFF}$ , $P_{\text{LO}}=\text{OFF}$	-	2.0	3.2	mA

## ■ELECTRICAL CHARACTERISTICS (AC CHARACTERISTICS)

( $V_{\text{MIX}}=V_{\text{LO}}=2.7\text{V}$ ,  $f_{\text{RF}}=1960\text{MHz}$ ,  $f_{\text{LO}}=2090\text{MHz}$ ,  $f_{\text{IF}}=130\text{MHz}$ ,  $P_{\text{RF}}=-30\text{dBm}$ ,  $P_{\text{LO}}=-10\text{dBm}$ ,  $T_a=25^{\circ}\text{C}$ ,  
 $Z_s=Z_l=50\Omega$ , Measuring Test Circuit)

PARAMETER	SYMBOL	CONDITIONS	MIN	TYP	MAX	UNITS
Operating RF Frequency	freq		1930	1960	1990	MHz
Conversion Gain	$G_{\text{C}}$		9	11	-	dB
Input 3rd Order Intercept Point	IIP3	$f_{\text{RF}}=1960.0+1960.1\text{MHz}$	-	-1	-	dBm
Noise Figure	NF		-	7.0	8.5	dB

## ■ TERMINAL EXPLANATION

PIN No.	SYMBOL	DESCRIPTIONS
1	IFOUT	IF signal output terminal of mixer. External matching circuit is required. Please connect mixer power supply through inductor (L6, L7) as shown in test circuit. Please place bypass capacitors (C6, C7, C8) close to C2.
2	BPC	Bypass capacitor terminal of mixer.
3	VLO	Local amplifier power supply terminal. Please place R1 and L5 close to this terminal as shown in test circuit, and place bypass capacitors (C3, C4) close to R1 and L5.
4	LOIN	Local power input terminal of local amplifier. External matching circuit is required.
5	GND	Ground terminal (0V). Please place grounding VIAs as close as possible.
6	RFIN	RF signal input terminal of mixer. External matching circuit is required.

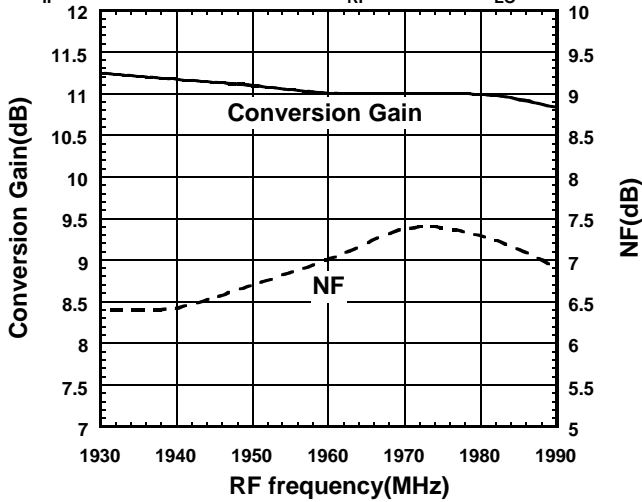
# NJG1553BF

## TYPICAL CHARACTERISTICS

### Conversion Gain, NF vs. RF frequency

$$V_{MIX} = V_{LO} = 2.7V, I_{MIX} = 5.0mA, I_{LO} = 1.9mA,$$

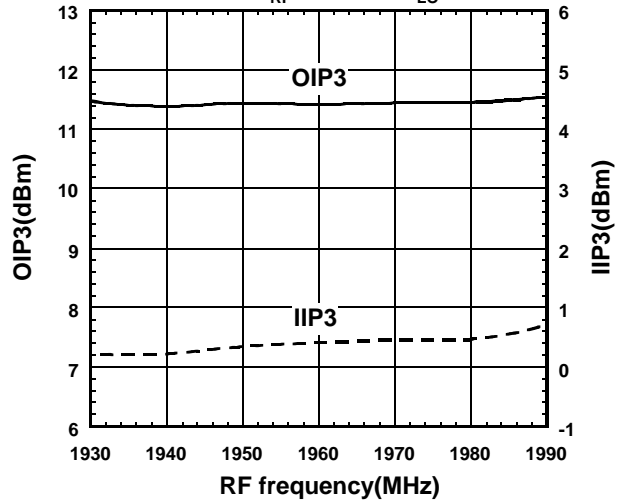
$$f_{IF} = 130MHz, \text{Upper LOCAL}, P_{RF} = -30dBm, P_{LO} = -10dBm$$



### OIP3, IIP3 vs. RF frequency

$$V_{MIX} = V_{LO} = 2.7V, I_{MIX} = 5.0mA, I_{LO} = 1.9mA,$$

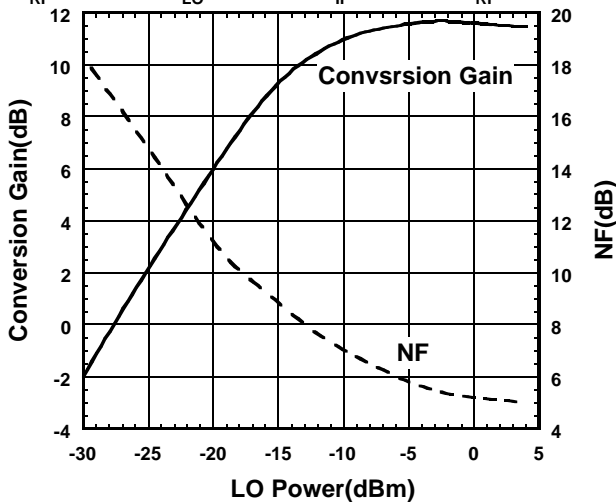
$$\text{Upper LOCAL}, P_{RF} = -30dBm, P_{LO} = -10dBm$$



### Conversion Gain, NF vs. LO Power

$$V_{MIX} = V_{LO} = 2.7V, I_{MIX} = 5.0mA, I_{LO} = 1.9mA,$$

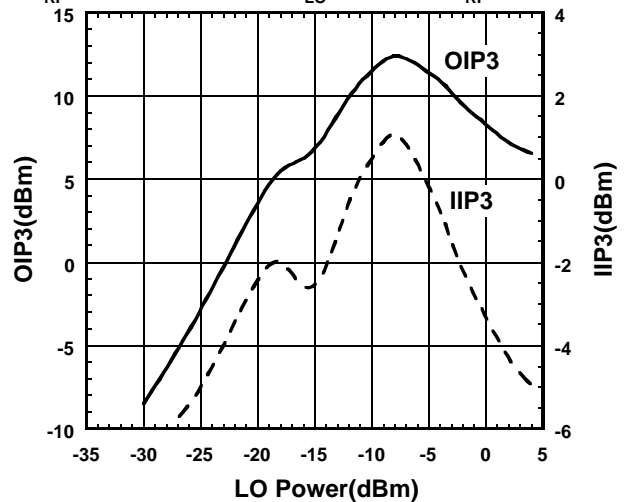
$$f_{RF} = 1960MHz, f_{LO} = 2090MHz, f_{IF} = 130MHz, P_{RF} = -30dBm$$



### OIP3, IIP3 vs. LO Power

$$V_{MIX} = V_{LO} = 2.7V, I_{MIX} = 5.0mA, I_{LO} = 1.9mA,$$

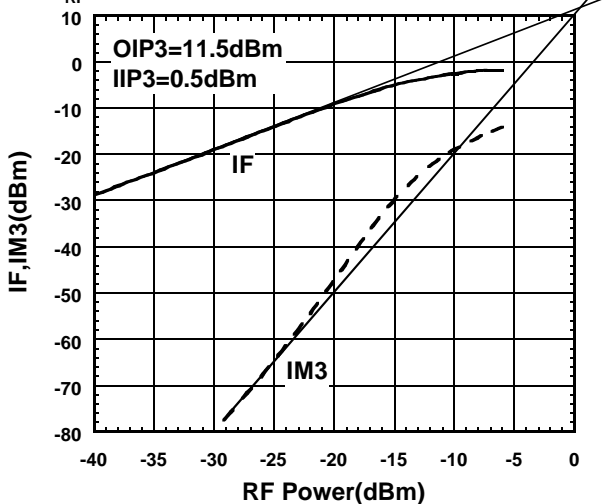
$$f_{RF} = 1960.0+1960.1MHz, f_{LO} = 2090MHz, P_{RF} = -30dBm$$



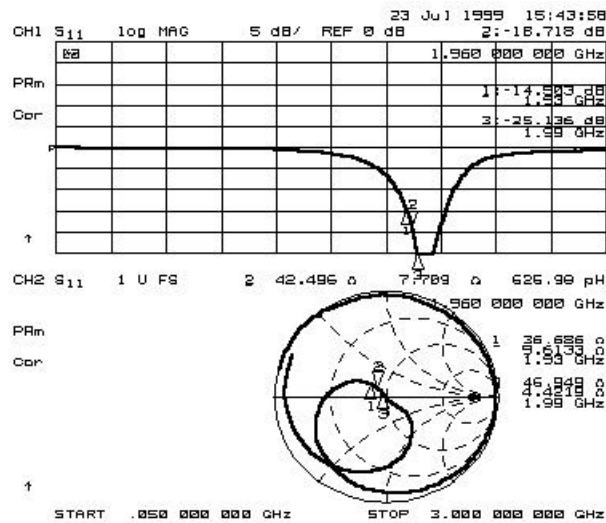
### IF, IM3 vs. RF Power

$$V_{MIX} = V_{LO} = 2.7V, I_{MIX} = 5.0mA, I_{LO} = 1.9mA,$$

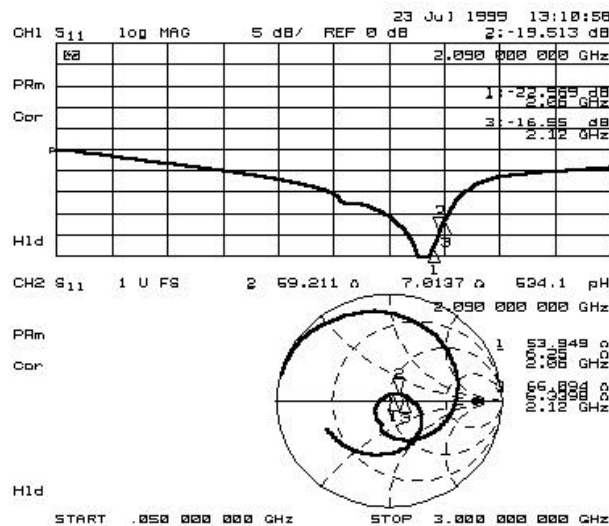
$$f_{RF} = 1960.0+1960.1MHz, f_{LO} = 2090MHz, P_{LO} = -10dBm$$



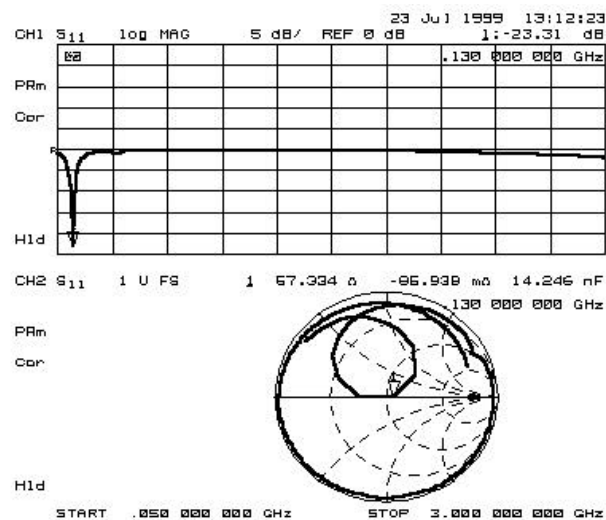
## TYPICAL CHARACTERISTICS



RFIN port Impedance



LOIN port Impedance



IFOUT port Impedance

# NJG1553BF

## APPLICATION CIRCUIT

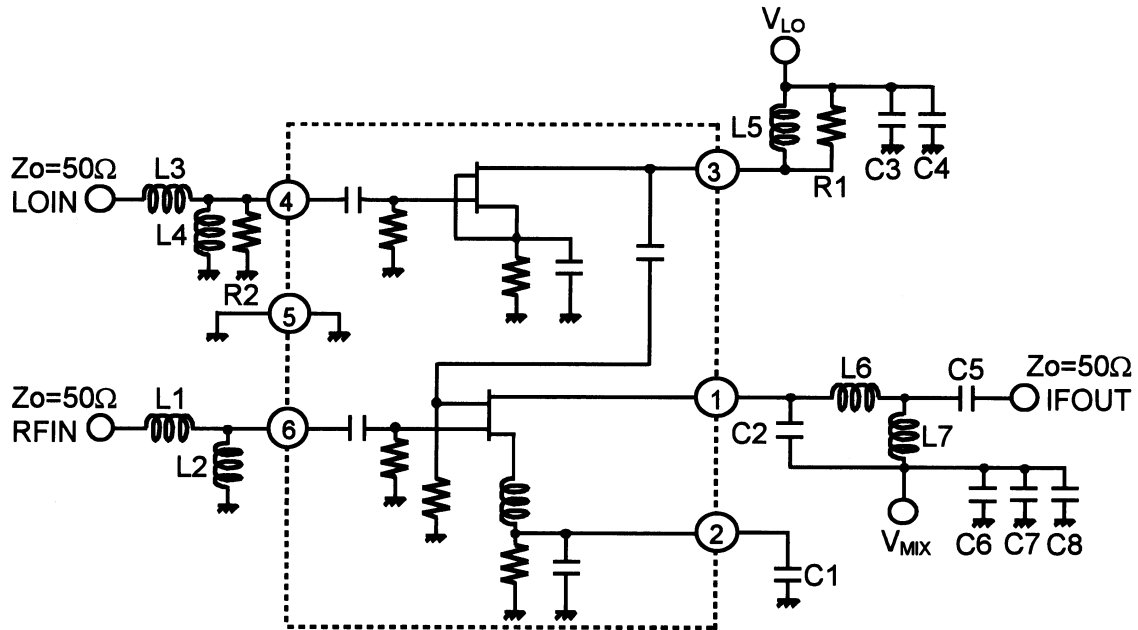
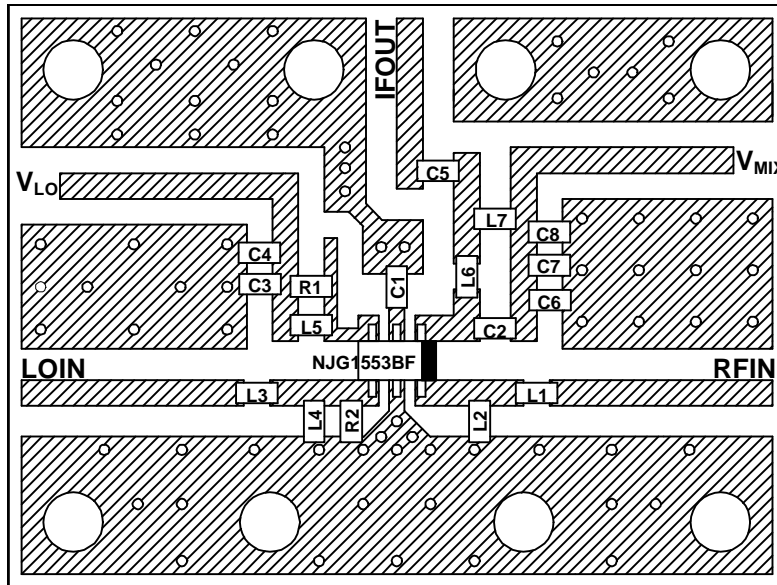


Table: The parts used in the circuit above

PART ID	PCS BAND	Remarks
	Upper LOCAL	
	$f_{LO}=2090\text{MHz}$ $f_F=130\text{MHz}$	
L1	8.2nH	TAIYO-YUDEN(HK1608)
L2	8.2nH	TAIYO-YUDEN(HK1608)
L3	3.9nH	TAIYO-YUDEN(HK1608)
L4	10nH	TAIYO-YUDEN(HK1608)
L5	4.7nH	TAIYO-YUDEN(HK1608)
L6	100nH	TAIYO-YUDEN(HK1608)
L7	56nH	TAIYO-YUDEN(HK1608)
C1	1000pF	MURATA(GRM39)
C2	10pF	MURATA(GRM39)
C3	10pF	MURATA(GRM39)
C4	100pF	MURATA(GRM39)
C5	1000pF	MURATA(GRM39)
C6	10pF	MURATA(GRM39)
C7	100pF	MURATA(GRM39)
C8	1000pF	MURATA(GRM39)
R1	180Ω	1608 Size
R2	82Ω	1608 Size

## RECOMMENDED PCB DESIGN

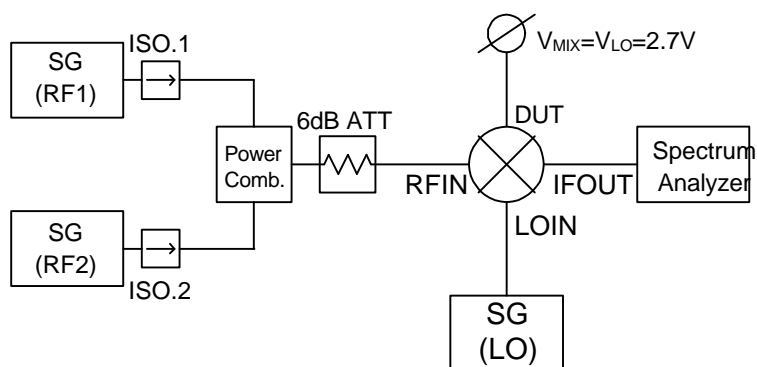


PCB: FR-4 t=0.5mm  
 Microstrip Line Width=1mm  
 PCB Size: 22.5x30.0mm

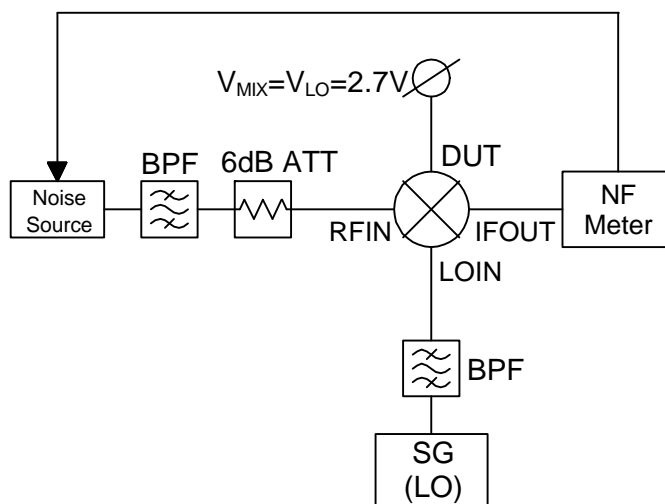
## PRECAUTIONS

- [1] Please place a inductor L1 at about 3.5mm distance from RFIN terminal (Pin #6).
- [2] Please place a inductor L3 at about 3.5mm distance from LOIN terminal (Pin #4).
- [3] Please place a capacitor C1 close to by-pass capacitor terminal (Pin #2).
- [4] Please place capacitors C6, C7, C8 close to C2.
- [5] Please place capacitors C3, C4 close to R1 and L5.

## MEASURING BLOCK DIAGRAM



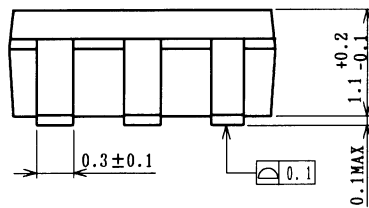
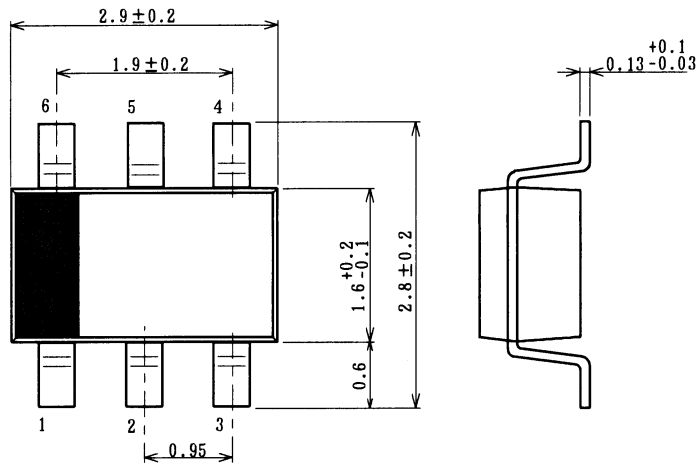
IF, IM3 Measuring Block Diagram



Noise Figure Measuring Block Diagram



## ■PACKAGE OUTLINE (MTP6)



Lead material	: Copper
Lead surface finish	: Solder plating
Molding material	: Epoxy resin
Unit	: mm
Weight	: 14mg

### Cautions on using this product

This product contains Gallium-Arsenide (GaAs) which is a harmful material.

- Do NOT eat or put into mouth.
- Do NOT dispose in fire or break up this product.
- Do NOT chemically make gas or powder with this product.
- To waste this product, please obey the relating law of your country.

### [CAUTION]

The specifications on this databook are only given for information, without any guarantee as regards either mistakes or omissions. The application circuits in this databook are described only to show representative usages of the product and not intended for the guarantee or permission of any right including the industrial rights.

This product may be damaged with electric static discharge (ESD) or spike voltage. Please handle with care to avoid these damages.