

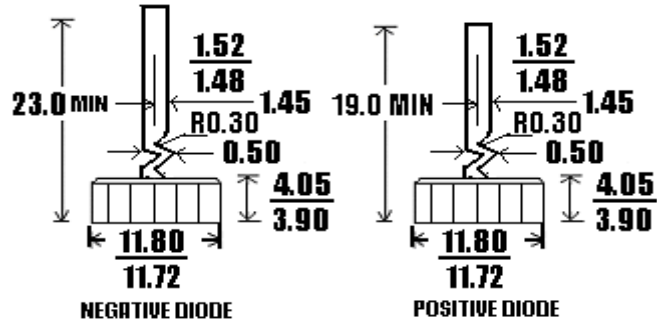
DESCRIPTION

MECHANICAL DIMENSION

PHFR5001~5006



HITACHI PRESSFIT



NEGATIVE DIODE

POSITIVE DIODE

DIMENSION IN MM

FEATURES

- Low cost, long Life, Super Cool
- Glass Passivated Chips Die size 215x215mil SQ,
- Case and Lead both are Nickel Plated Copper, Solderable
- High Current Capability
- Suffix P mean Anode on Lead Case Color White lead short 19 mm
- Suffix N mean Cathode on Lead Case Color Black lead long 23 mm

Maximum Ratings And Electrical Characteristics (Ta=25)

Parameters	Symbol	PHFR			
		5001P/N	5002P/N	5004P/N	5006P/N
Average forward current, I _o at T _c =150 60Hz, Resistive or Inductive Load	I _F	50A			
REPETITIVE PEAK Reverse Voltage	VRRM	100	200	400	600
DC Reverse voltage, V _R	V (DC))	100	200	400	600
Max RMS Voltage	VRMS	70	140	280	420
Max. Inst Forward Voltage Drop. V _F at 80A	V _F	1.1V			
Peak Forward Surge Current, IFM8.3mS Single Half Sine-Wave	IFMS	500A			
Max. Reverse Current I _R At Rated DC Reverse Voltage. T _c =25	I _R	10uA			
Max. Reverse Current I _R At Rated DC Reverse Voltage. T _c =150	I _R	500uA			
Maximum thermal Resistance, Junction To Case (Single Side Cooled)	R _J	1.2 /W			
Operating and Storage Temperature Range	To/Ts	-65~-175			

