

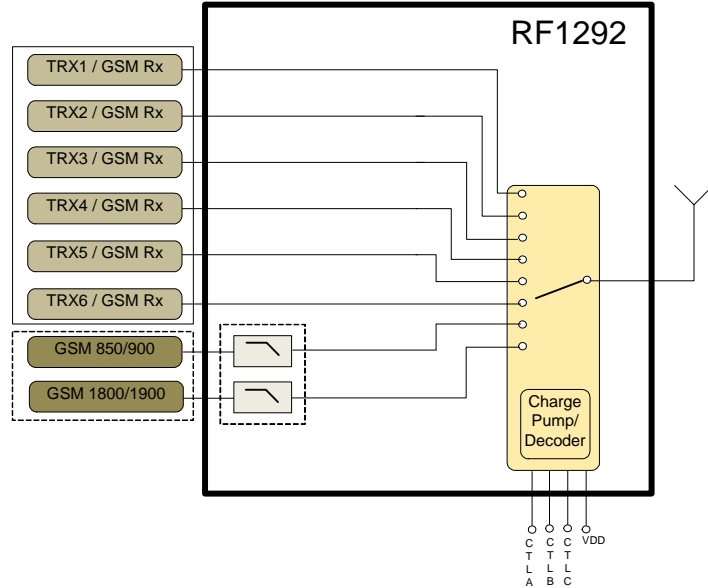


**Features**

- Excellent Insertion Loss and Isolation Performance
- Six Linear Paths Offer Band Combination and Air Interface Flexibility
- Very high Linearity and Excellent Harmonic Performance - Ideally Suited for LTE Applications
- Excellent GSM TX Harmonic Attenuation
- Fully Spec Compliant at 1.2V Control Voltage
- Broadband Performance Suitable for all Cellular Modulation Schemes up to 3GHz
- Very Low Current Consumption
- Compact 2.5mm x 3.2mm x 1.0mm (typ) Laminate Module
- >2kV HBM ESD on all Paths

**Applications**

- Cellular Handset Applications
- Cellular Modems and USB Devices
- "Multi-Mode GSM, EDGE, WCDMA, LTE, and TD-SCDMA Applications



Functional Block Diagram

**Product Description**

The RF1292 Antenna Switch Module offers very low insertion loss along with excellent linearity performance. The RF1292 is ideal for multi-mode GSM, EDGE, UMTS and LTE handset applications. This module integrates low pass filtering on the GSM transmit paths thus avoiding the need for external harmonic attenuation. The RF1292 is compatible with +1.8V control logic and is packaged in a compact 2.5mm x 3.2mm, 18-pin, module package which allows for a small solution size with no need for external DC blocking capacitors when no DC is present external to the device.

**Ordering Information**

RF1292                      SP8T Antenna Switching Module

**Optimum Technology Matching® Applied**

- |                                      |                                      |   |                                   |
|--------------------------------------|--------------------------------------|---|-----------------------------------|
| <input type="checkbox"/> GaAs HBT    | <input type="checkbox"/> SiGe BiCMOS | <input type="checkbox"/> GaAs pHEMT         | <input type="checkbox"/> GaN HEMT |
| <input type="checkbox"/> GaAs MESFET | <input type="checkbox"/> Si BiCMOS   | <input checked="" type="checkbox"/> Si CMOS | <input type="checkbox"/> RF MEMS  |
| <input type="checkbox"/> InGaP HBT   | <input type="checkbox"/> SiGe HBT    | <input type="checkbox"/> Si BJT             | <input type="checkbox"/> LD MOS   |

RF MICRO DEVICES®, RFMD®, Optimum Technology Matching®, Enabling Wireless Connectivity™, PowerStar®, POLARIS™ TOTAL RADIO™ and UltimateBlue™ are trademarks of RFMD, LLC. BLUETOOTH is a trademark owned by Bluetooth SIG, Inc., U.S.A. and licensed for use by RFMD. All other trade names, trademarks and registered trademarks are the property of their respective owners. ©2006, RF Micro Devices, Inc.

# RF1292



rfmd.com

**Please contact  
RFMD Technical Support  
at (336) 678-5570  
for more information.**