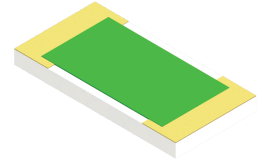


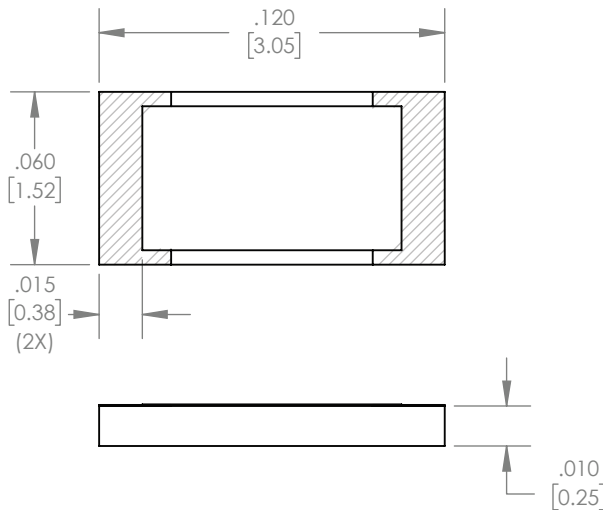
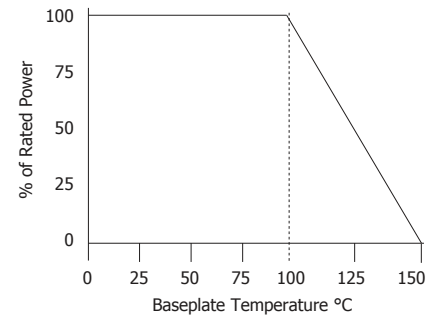
RS1206ZZ-XXXXWN-90 Features:

- Single-Sided (Flip-Chip) Terminal Configuration
- Solder, Epoxy or Wirebondable Terminals
- Customer Defined Testing Available
- RoHS Compliant or SnPb Available
- Non-Magnetic Available
- Tape & Reel (Film Side Down) and Waffle Pack Available (Standard is bulk)


RS1206ZZ-XXXXWN-90 Parameters:

Resistance Range:	0.5Ω - 1MΩ
Rated Power*:	350mW
Construction:	Thick Film on 0.010" Al ₂ O ₃
Operating Temperature:	-55 to +150°C

* Rating based on ≤100°C constant baseplate temperature

RS1206ZZ-XXXXWN-90 Dimensions:

**RS1206ZZ-XXXXWN-90
Power Derating Curve**


Dimensions in inches [mm]
Tolerance is ± 0.005 [0.13]
unless otherwise stated

Ordering Information:
Example Part Number: RS1206CT-50R0JN-90

RS	1206	ZZ	-	XXXX	W	N	-	90	UU
Prefix for Resistor w/ Single-Sided Terminals				Value Code	Tolerance	<div style="border: 1px dashed black; padding: 5px; text-align: center;"> Normal Inspection Contact factory for additional options </div>		Substrate	Packaging
Size				50R0 - 50Ω	F - 1%			90 - 0.010" Al ₂ O ₃	Blank - Bulk
1206				1000 - 100Ω	G - 2%				WP - Waffle Pack
				1001 - 1KΩ	J - 5%				TRD - Tape & Reel
Terminal Metallization									
AS -	Tin Lead over Platinum Palladium Gold				RoHS	Magnetic	Solder	Epoxy	Wirebond
CB -	Tin Lead over Nickel over Silver				No	No	Yes	No	No
CC -	100% Matte Tin over Copper over Silver				No	Yes	Yes	No	No
CT -	100% Matte Tin over Nickel over Silver				Yes	No	Yes	No	No
GA -	Gold				Yes	No	No	Yes	Yes

Barry Industries reserves the right to change part number and/or process without notification.

RS1206ZZ-XXXXWN-90 Reliability Specifications:

Parameter:	Test Condition:	Results:
Short Time Overload	Apply 1.1x Rated Power for 5 Seconds.	≤ 5.0% Resistance Shift
Rated Load Life	Apply 1/2 Power Under 40°C ±2°C 90 Minutes on/ 30 Minutes off. Repeat for 100 hours	≤ 5.0% Resistance Shift
Moisture Resistance	MIL-PRF-55342 para 4.8.9 95% RH, 25°C - 65°C	≤ 5.0% Resistance Shift
Resistance to Soldering Heat	MIL-STD-202 Method 210 and MIL-PRF-55342 Para 4.8.8.1	≤ 5.0% Resistance Shift
Resistance to Bonding Exposure	MIL-PRF-55342 Para 4.8.8.2	≤ 5.0% Resistance Shift
Solderability	MIL-PRF-55342 Para 4.8.12	>95% Covered
High Temperature Storage	125°C ±2°C for 500 Hours	1.) ≤ 5.0% Resistance Shift 2.) No Significant Abnormality (Visual)
Thermal Shock	-65 to +125 30 Minutes Dwell, 5 Cycles	1.) ≤ 5.0% Resistance Shift 2.) No Significant Abnormality (Visual)

Barry Industries reserves the right to change part number and/or process without notification.