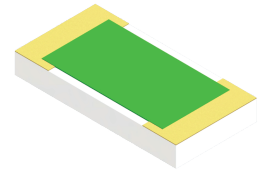


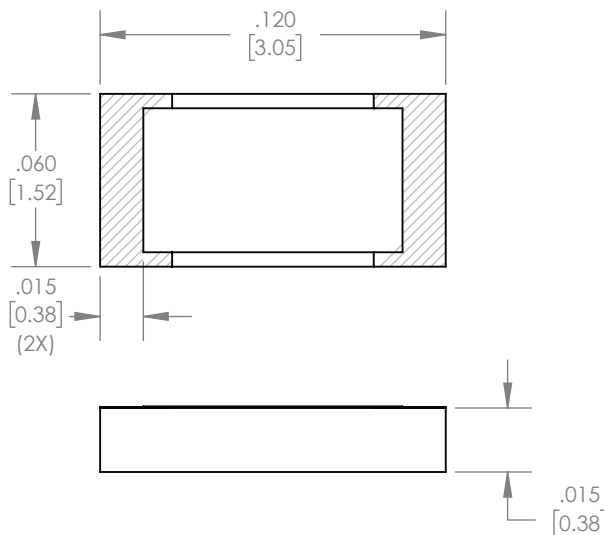
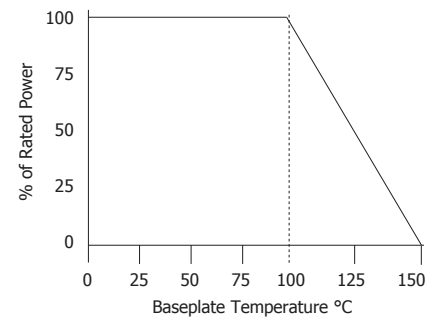
**RS1206ZZ-XXXXWN-96 Features:**

- Single-Sided (Flip-Chip) Terminal Configuration
- Solder, Epoxy or Wirebondable Terminals
- Customer Defined Testing Available
- RoHS Compliant or SnPb Available
- Non-Magnetic Available
- Tape & Reel (Film Side Down) and Waffle Pack Available (Standard is bulk)


**RS1206ZZ-XXXXWN-96 Parameters:**

|                        |                          |
|------------------------|--------------------------|
| Resistance Range:      | 0.5Ω - 1MΩ               |
| Rated Power*:          | 1.5W                     |
| Construction:          | Thick Film on 0.015" BeO |
| Operating Temperature: | -55 to +150°C            |

\* Rating based on ≤100°C constant baseplate temperature

**RS1206ZZ-XXXXWN-96 Dimensions:**

**RS1206ZZ-XXXXWN-96  
Power Derating Curve**


Dimensions in inches [mm]  
Tolerance is ± 0.005 [0.13]  
unless otherwise stated

**Ordering Information:**
**Example Part Number: RS1206CT-50R0JN-96**

| RS   | 1206 | ZZ | - | XXXX                                    | W   | N  | -     | 96                           | UU   |
|--|------|----|---|---|---|--|-------|------------------------------|--|
| Prefix for Resistor w/<br>Single-Sided Terminals |      |    |   | Value Code                              | Tolerance                                 | Normal Inspection<br>Contact factory for<br>additional options |       | Substrate<br>96 - 0.015" BeO | Packaging<br>Blank - Bulk<br>WP - Waffle Pack<br>TRD - Tape & Reel |
| Size<br>1206                                     |      |    |   | 50R0 - 50Ω<br>1000 - 100Ω<br>1001 - 1KΩ | 1002 - 10KΩ<br>1003 - 100KΩ<br>1004 - 1MΩ | F - 1%<br>G - 2%<br>J - 5%                                     |       |                              |  |
| Terminal Metallization                           |      |    |   | RoHS                                    | Magnetic                                  | Solder   | Epoxy | Wirebond                     |  |
| AS - Tin Lead over Platinum Palladium Gold       |      |    |   | No                                      | No  | Yes  | No    | No                           |  |
| CB - Tin Lead over Nickel over Silver            |      |    |   | No                                      | Yes                                       | Yes  | No    | No                           |  |
| CC - 100% Matte Tin over Copper over Silver      |      |    |   | Yes                                     | No  | Yes  | No    | No                           |  |
| CT - 100% Matte Tin over Nickel over Silver      |      |    |   | Yes                                     | Yes                                       | Yes  | No    | No                           |  |
| JA - Gold over Platinum Palladium Gold           |      |    |   | Yes                                     | No  | No   | Yes   | Yes                          |  |

Barry Industries reserves the right to change part number and/or process without notification.

**RS1206ZZ-XXXXWN-96 Reliability Specifications:**

| Parameter:                     | Test Condition:   | Results:  |
|--------------------------------|---|---|
| Short Time Overload            | Apply 1.1x Rated Power for 5 Seconds.   | ≤ 5.0% Resistance Shift   |
| Rated Load Life                | Apply 1/2 Power Under 40°C ±2°C<br>90 Minutes on/ 30 Minutes off.<br>Repeat for 100 hours | ≤ 5.0% Resistance Shift   |
| Moisture Resistance            | MIL-PRF-55342 para 4.8.9<br>95% RH, 25°C - 65°C   | ≤ 5.0% Resistance Shift   |
| Resistance to Soldering Heat   | MIL-STD-202 Method 210<br>and MIL-PRF-55342 Para 4.8.8.1                                  | ≤ 5.0% Resistance Shift   |
| Resistance to Bonding Exposure | MIL-PRF-55342 Para 4.8.8.2  | ≤ 5.0% Resistance Shift   |
| Solderability                  | MIL-PRF-55342 Para 4.8.12   | >95% Covered  |
| High Temperature Storage       | 125°C ±2°C for 500 Hours  | 1.) ≤ 5.0% Resistance Shift<br>2.) No Significant Abnormality<br>(Visual) |
| Thermal Shock                  | -65 to +125<br>30 Minutes Dwell, 5 Cycles   | 1.) ≤ 5.0% Resistance Shift<br>2.) No Significant Abnormality<br>(Visual) |

Barry Industries reserves the right to change part number and/or process without notification.