

10BASE-T NETWORK COMPONENTS

960062A

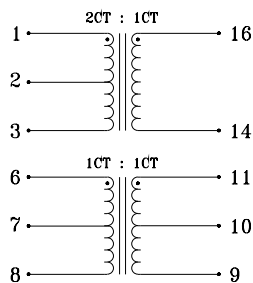
- Designed for use with Seeq 80C24-26 and 83C95-96 10Base-T PHY transceivers
- Single and dual port designs available with and without common mode chokes
- Conforms to IEEE 802.3 standards
- Through-hole and surface mount packaging
- 2000 Vrms isolation

ELECTRICALS AT 25°C

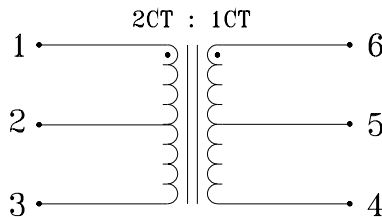
Part No.	Turns Ratio (transmit)	Insertion Loss (dB) Max 1-10MHz	OCL (μH) Min	Return Loss (dB) Min 5-10MHz	Crosstalk (dB) Min 1MHz-10MHz	CM-CM Rej (dB) Min		Schematic	Package Style
						10-30MHz	100MHz		
A553-1084-01	2CT:1	-1.0	80	-18	-40	N/A	N/A	A	1
S553-1084-01	2CT:1	-1.0	80	-18	-40	N/A	N/A	A	2
S553-1084-05	2CT:1CT	-1.0	200	-18	-40	N/A	N/A	B	3
S553-1084-06	2CT:1	-1.0	80	-18	-40	-40	-30	C	2
S553-1084-11	2CT:1CT	-1.0	80	-18	-40	N/A	N/A	D	2
S553-1084-16	2CT:1CT	-1.0	80	-18	-40	-40	-30	E	2

SCHEMATICS

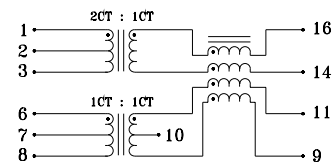
A



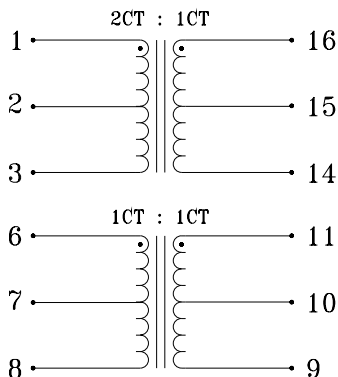
B



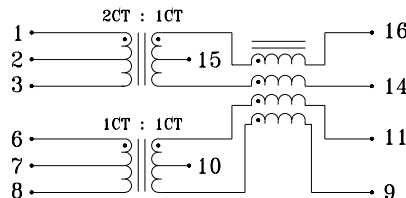
C



D



E



Corporate Office

Bel Fuse Inc.
 198 Van Vorst Street, Jersey City, NJ 07302-4496
 Tel: 201-432-0463
 Fax: 201-432-9542
 E-Mail: BelFuse@belfuse.com
 Internet: <http://www.belfuse.com>

Far East Office

Bel Fuse Ltd.
 8F/8 Luk Hop Street
 San Po Kong
 Kowloon, Hong Kong
 Tel: 852-2328-5515
 Fax: 852-2352-3706

European Office

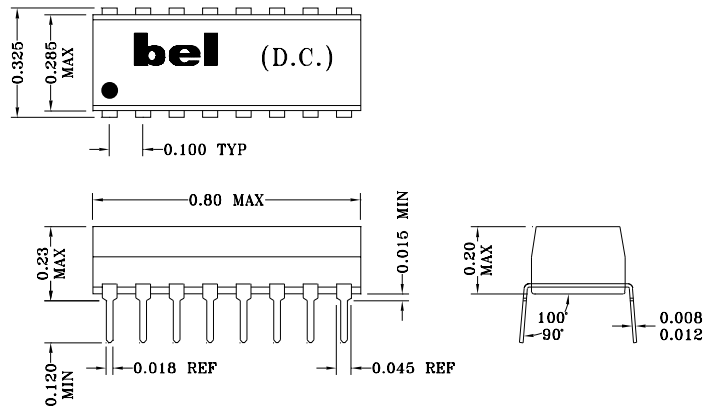
Bel Fuse Europe Ltd.
 Preston Technology Management Centre
 Marsh Lane, Preston PR1 8UD
 Lancashire, U.K.
 Tel: 44-1772-556601
 Fax: 44-1772-888366

10BASE-T NETWORK COMPONENTS

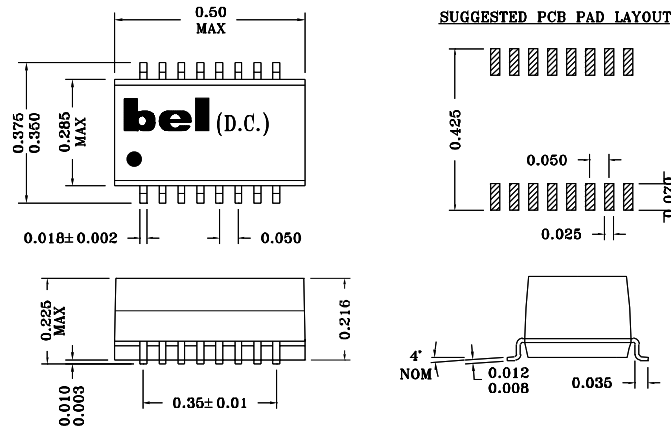
960062A

MECHANICALS

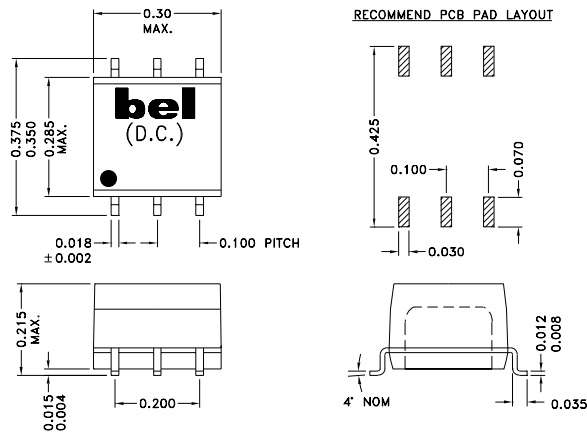
1



2



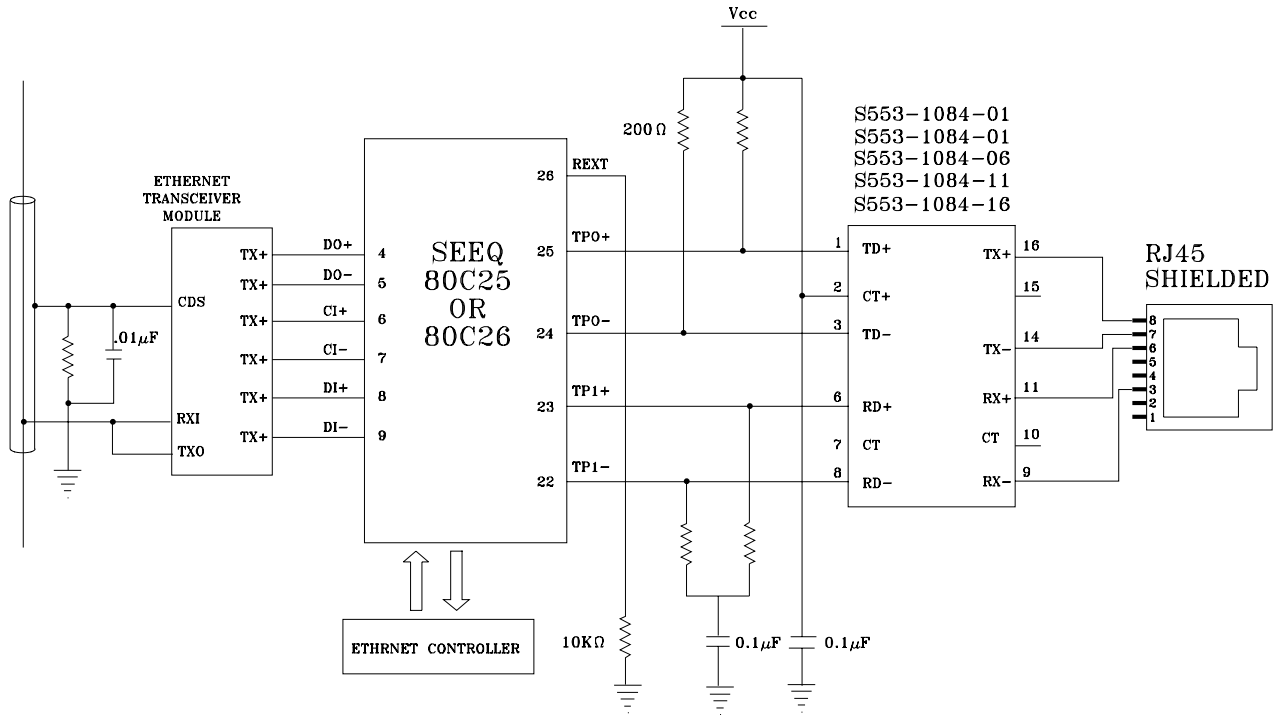
3



Specifications subject to change without notice.

10BASE-T NETWORK COMPONENTS

APPLICATION CIRCUIT



TYPICAL TP/COAX ADAPTER BOARD APPLICATION

Specifications subject to change without notice.



defining a degree of excellence

10BASE-T NETWORK COMPONENTS

960062A

APPLICATION NOTES

- All receive transformers (except for S553-1084-05) have 1CT:1CT turns ratio.
- Multiple design options offered to optimize individual PCB layouts and grounding configurations. Consult Bel engineering for assistance in choosing the best solution.
- Bel's low profile, surface mount packaging is ideal for high speed pick and place machinery. Parts can be shipped on tape and reel for high speed placement. Construction processes have been implemented for thermal compatibility with high temperature IR reflow assembly processing. Post dipping of leads assist with PC board solderability. Each part is optically inspected to meet rigid coplanarity requirements.

Corporate Office

Bel Fuse Inc.

198 Van Vorst Street, Jersey City, NJ 07302-4496

Tel: 201-432-0463

Fax: 201-432-9542

E-Mail: BelFuse@belfuse.com

Internet: <http://www.belfuse.com>

Far East Office

Bel Fuse Ltd.

8F/8 Luk Hop Street

San Po Kong

Kowloon, Hong Kong

Tel: 852-2328-5515

Fax: 852-2352-3706

European Office

Bel Fuse Europe Ltd.

Preston Technology Management Centre

Marsh Lane, Preston PR1 8UD

Lancashire, U.K.

Tel: 44-1772-556601

Fax: 44-1772-888366