



S8050

NPN SILICON TRANSISTOR

LOW VOLTAGE HIGH CURRENT SMALL SIGNAL NPN TRANSISTOR

DESCRIPTION

The UTC **S8050** is a low voltage high current small signal NPN transistor, designed for Class B push-pull audio amplifier and general purpose applications.

FEATURES

- * Collector current up to 700mA
- * Collector-Emitter voltage up to 20 V
- * Complementary to S8550

ORDERING INFORMATION

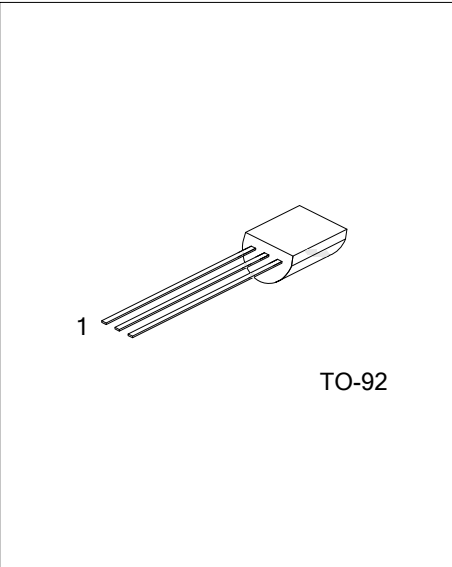
Order Number		Package	Pin Assignment			Packing
Lead Free Plating	Halogen Free		1	2	3	
S8050L-x-T92-B	S8050G-x-T92-B	TO-92	E	B	C	Tape Box
S8050L-x-T92-K	S8050G-x-T92-K	TO-92	E	B	C	Bulk

Note: Pin Assignment: E: Emitter B: Base C: Collector

<p>S8050L-x-T92-B</p> <ul style="list-style-type: none"> (1) Packing Type (2) Package Type (3) Rank (4) Lead Plating 	<ul style="list-style-type: none"> (1) B: Tape Box, K: Bulk (2) T92: TO-92 (3) x: refer to Classification of h_{FE2} (4) L: Lead Free, G: Halogen Free
--	---

MARKING INFORMATION

PACKAGE	MARKING
TO-92	<ul style="list-style-type: none"> L: Lead Free G: Halogen Free Data Code



■ ABSOLUTE MAXIMUM RATING ($T_A=25^\circ\text{C}$, unless otherwise specified)

PARAMETER	SYMBOL	RATINGS	UNIT
Collector-Base Voltage	V_{CBO}	30	V
Collector-Emitter Voltage	V_{CEO}	20	V
Emitter-Base Voltage	V_{EBO}	5	V
Collector Current	I_C	700	mA
Collector Dissipation($T_A=25^\circ\text{C}$)	P_C	1	W
Junction Temperature	T_J	150	$^\circ\text{C}$
Storage Temperature	T_{STG}	-65 ~ +150	$^\circ\text{C}$

Note: Absolute maximum ratings are those values beyond which the device could be permanently damaged.

Absolute maximum ratings are stress ratings only and functional device operation is not implied.

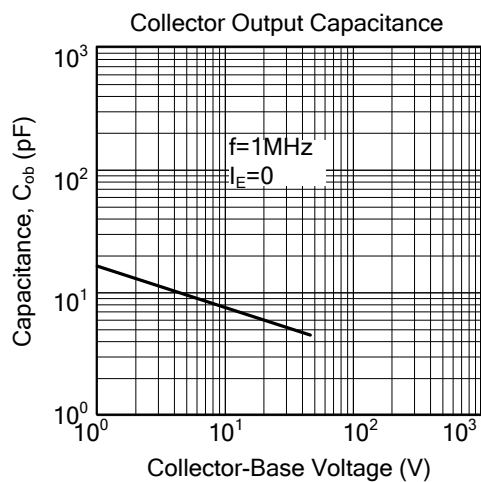
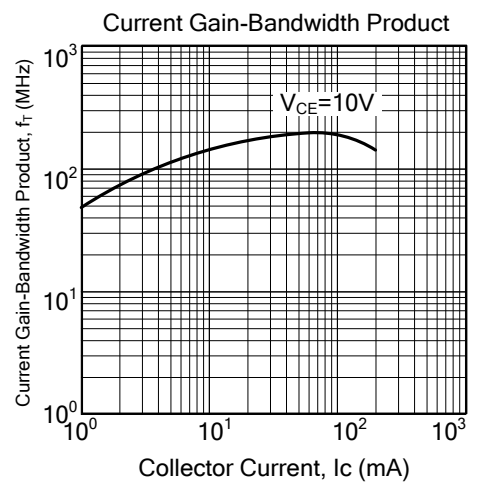
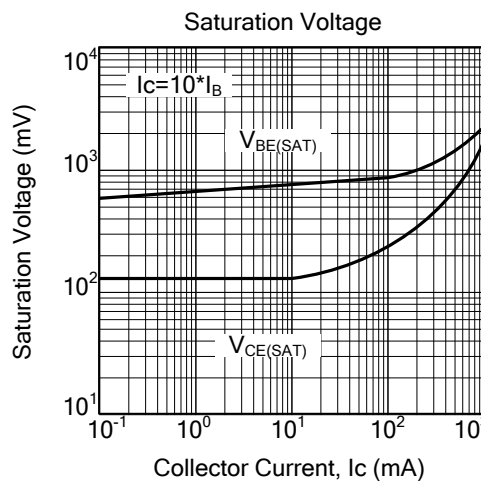
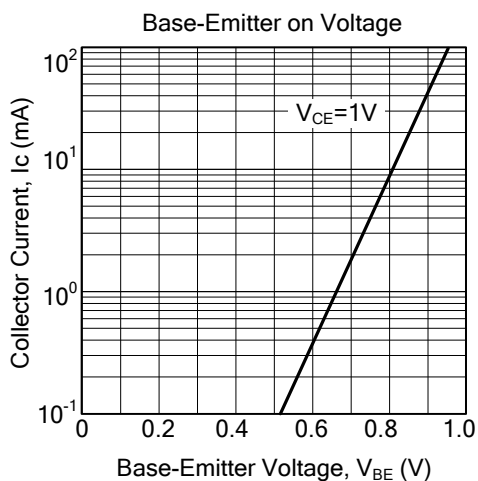
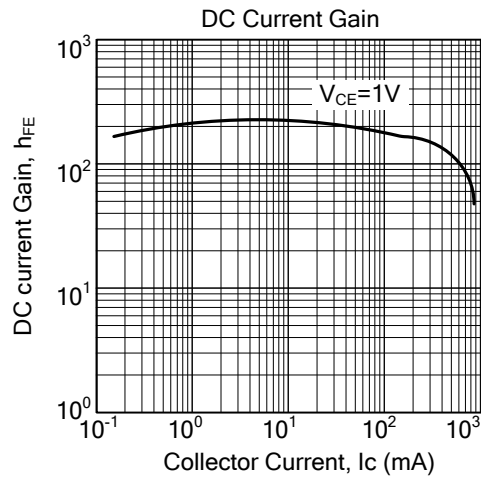
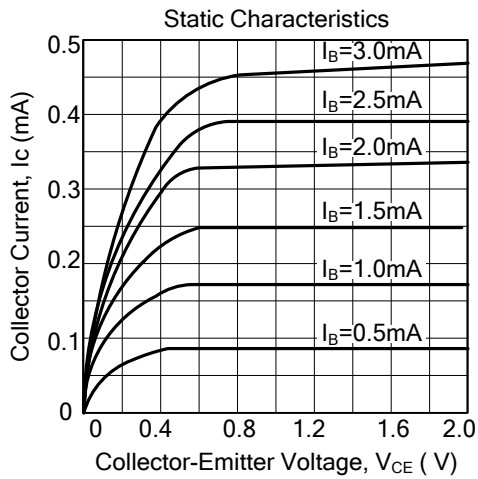
■ ELECTRICAL CHARACTERISTICS ($T_A=25^\circ\text{C}$, unless otherwise specified)

PARAMETER	SYMBOL	TEST CONDITIONS	MIN	TYP	MAX	UNIT
Collector-Base Breakdown Voltage	BV_{CBO}	$I_C=100\mu\text{A}$, $I_E=0$	30			V
Collector-Emitter Breakdown Voltage	BV_{CEO}	$I_C=1\text{mA}$, $I_B=0$	20			V
Emitter-Base Breakdown Voltage	BV_{EBO}	$I_E=100\mu\text{A}$, $I_C=0$	5			V
Collector Cut-Off Current	I_{CBO}	$V_{CB}=30\text{V}$, $I_E=0$			1	μA
Emitter Cut-Off Current	I_{EBO}	$V_{EB}=5\text{V}$, $I_C=0$			100	nA
DC Current Gain	h_{FE1}	$V_{CE}=1\text{V}$, $I_C=1\text{mA}$	100			
	h_{FE2}	$V_{CE}=1\text{V}$, $I_C=150\text{mA}$	120		400	
	h_{FE3}	$V_{CE}=1\text{V}$, $I_C=500\text{mA}$	40			
Collector-Emitter Saturation Voltage	$V_{CE(SAT)}$	$I_C=500\text{mA}$, $I_B=50\text{mA}$			0.5	V
Base-Emitter Saturation Voltage	$V_{BE(SAT)}$	$I_C=500\text{mA}$, $I_B=50\text{mA}$			1.2	V
Base-Emitter Saturation Voltage	V_{BE}	$V_{CE}=1\text{V}$, $I_C=10\text{mA}$			1.0	V
Current Gain Bandwidth Product	f_T	$V_{CE}=10\text{V}$, $I_C=50\text{mA}$	100			MHz
Output Capacitance	C_{ob}	$V_{CB}=10\text{V}$, $I_E=0$, $f=1\text{MHz}$		9.0		pF

■ CLASSIFICATION OF h_{FE2}

RANK	C	D	E
RANGE	120-200	160-300	280-400

■ TYPICAL CHARACTERISTICS



UTC assumes no responsibility for equipment failures that result from using products at values that exceed, even momentarily, rated values (such as maximum ratings, operating condition ranges, or other parameters) listed in products specifications of any and all UTC products described or contained herein. UTC products are not designed for use in life support appliances, devices or systems where malfunction of these products can be reasonably expected to result in personal injury. Reproduction in whole or in part is prohibited without the prior written consent of the copyright owner. The information presented in this document does not form part of any quotation or contract, is believed to be accurate and reliable and may be changed without notice.