

# Customer Information Sheet

DRAWING No.: S8421-45R

SHEET 3 OF 4

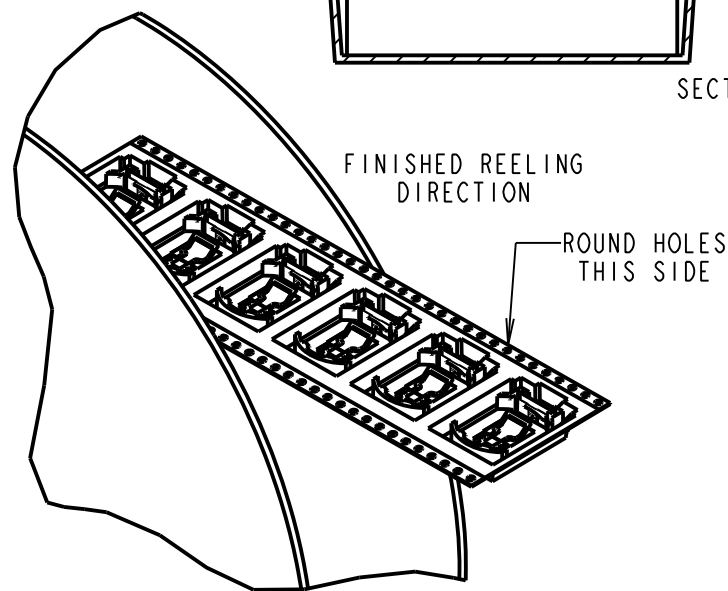
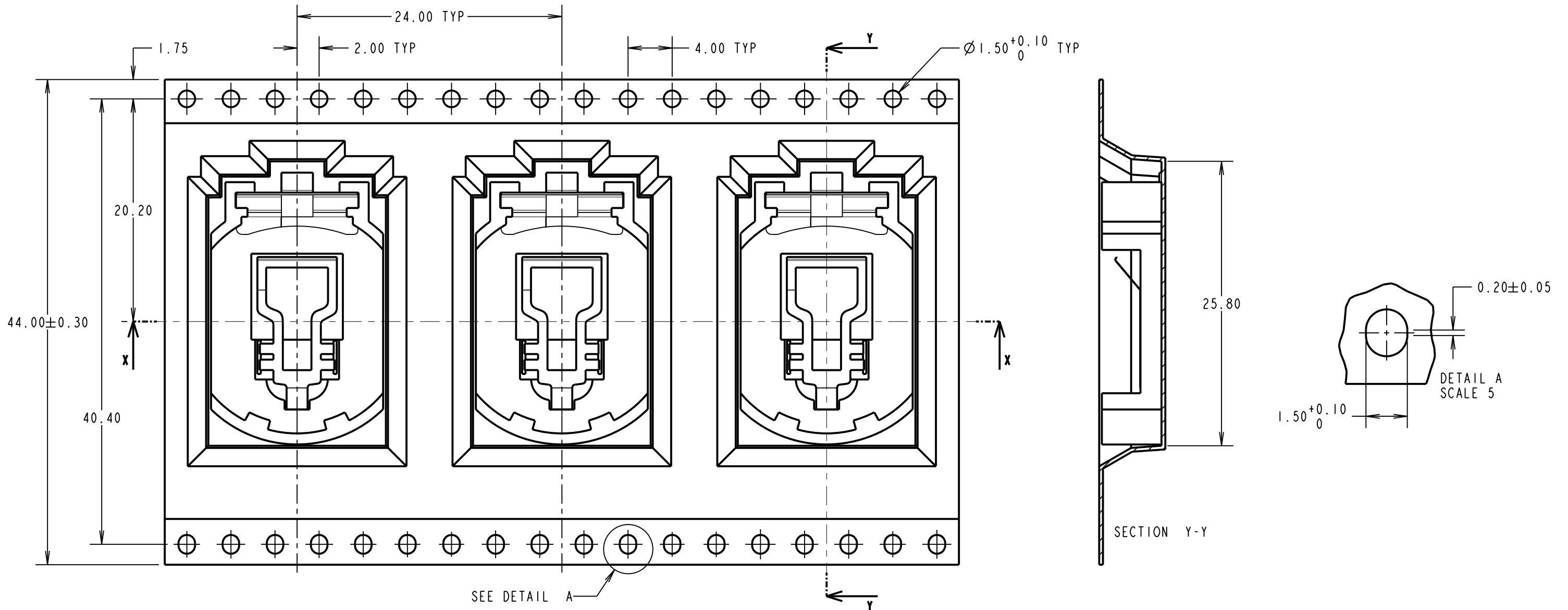
IF IN DOUBT - ASK

©

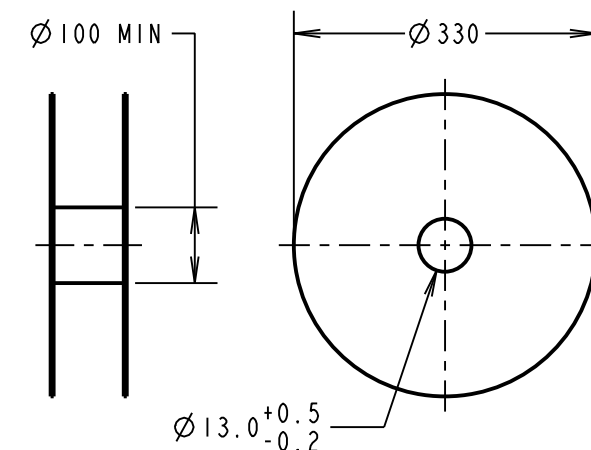
NOT TO SCALE

THIRD ANGLE PROJECTION

ALL DIMENSIONS IN mm



- NOTES:
1. FOR CONNECTOR DETAILS SEE SHEET 4.
  2. QUANTITY PER REEL = 500.
  3. TAPE AND REELING TO BE IN ACCORDANCE WITH EIA-481 (ELECTRONIC INDUSTRIES ASSOCIATION).



SB	3	28.01.14	12349
NAME	ISS.	DATE	C/NOTE
APPROVED:		S.BENNETT	
CHECKED:		S.FLOWER	
DRAWN:		R.ADDE	
CUSTOMER REF.:			
ASSEMBLY DRG:			

**HARWIN**

www.harwin.com  
technical@harwin.com

THIS DRAWING AND ANY INFORMATION OR DESCRIPTIVE MATTER SET OUT HEREON ARE CONFIDENTIAL AND COPYRIGHT PROPERTY OF THE HARWIN GROUP AND MUST NOT BE DISCLOSED, LOANED, COPIED OR USED FOR MANUFACTURING, TENDERING OR FOR ANY OTHER PURPOSE WITHOUT THEIR WRITTEN PERMISSION.

TOLERANCES  
X. =  $\pm 1$ mm  
X.X =  $\pm 0.25$ mm  
X.XX =  $\pm 0.10$ mm  
X.XXX =  $\pm 0.01$ mm  
ANGLES =  $\pm 5^\circ$   
UNLESS STATED

MATERIAL:  
SEE SHEET 4  
FINISH: SEE SHEET 4  
S/AREA: mm<sup>2</sup>

TITLE:  
SMT COIN CELL HOLDER  
FOR CR2032 TAPE & REELED

DRAWING NUMBER:  
**S8421-45R**

SHT  
3  
OF  
4

# Customer Information Sheet

DRAWING No.: S8421-45R SHEET 4 OF 4

IF IN DOUBT - ASK

©

NOT TO SCALE

THIRD ANGLE PROJECTION

ALL DIMENSIONS IN mm

## SPECIFICATIONS:

### MATERIAL:

MOULDING: PPS 30% G/F, UL94V-0, BROWN  
CONTACT: PHOSPHOR BRONZE

### FINISH:

CONTACTS = GOLD

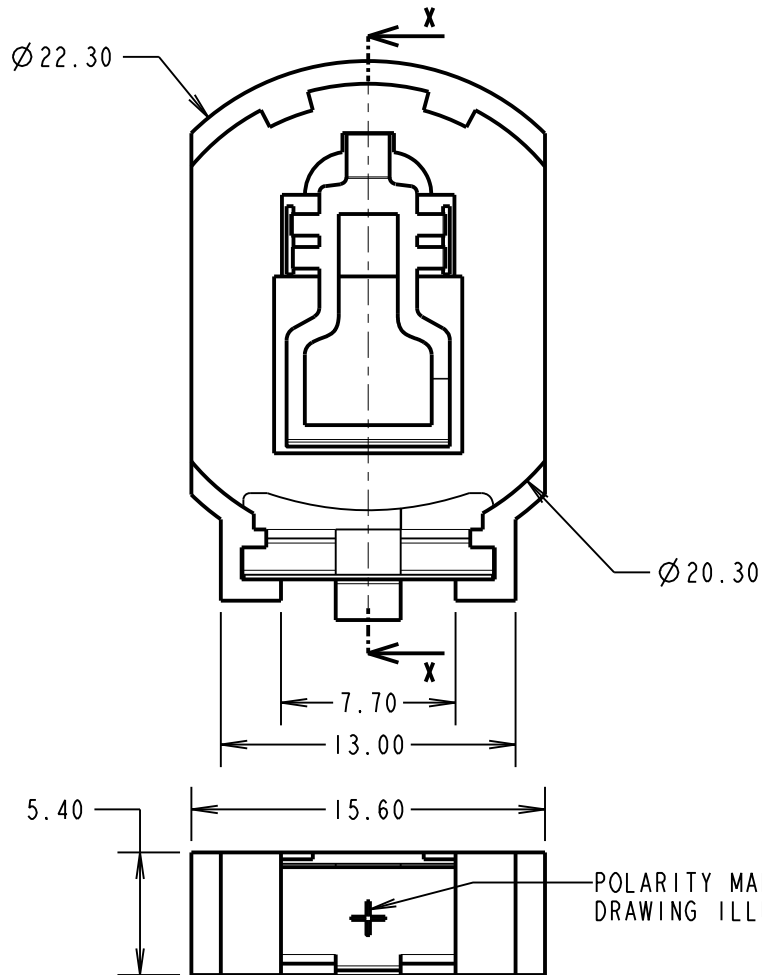
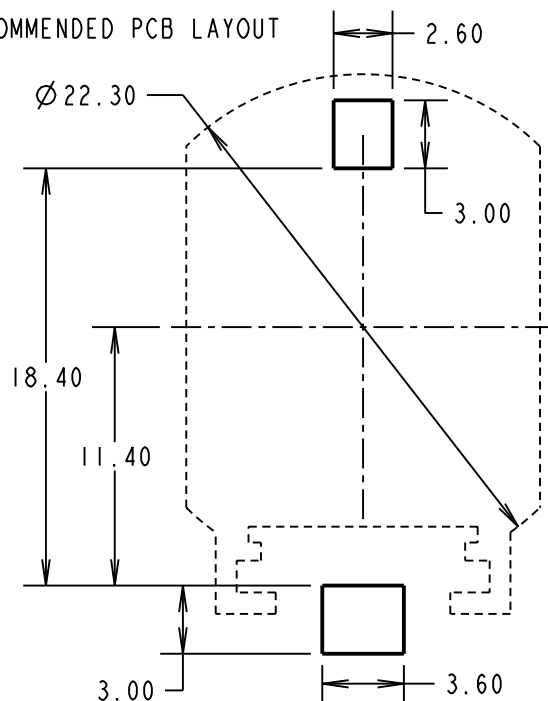
### ELECTRICAL:

CONTACT RESISTANCE =  $12m\Omega$   
INSULATION RESISTANCE =  $500M\Omega$   
DIELECTRIC VOLTAGE = 500V AC FOR 1 MINUTE

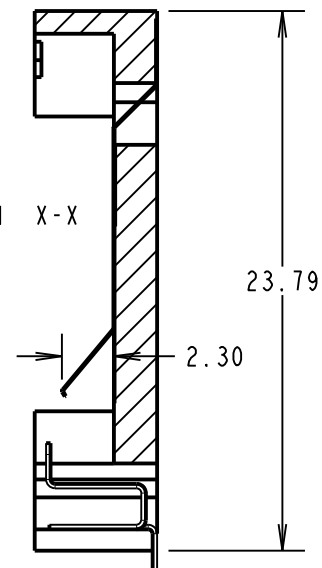
### ENVIRONMENTAL:

OPERATING TEMPERATURE =  $-40^{\circ}C$  TO  $+105^{\circ}C$

## RECOMMENDED PCB LAYOUT



SECTION X-X



POLARITY MARKING, FOR DRAWING ILLUSTRATION ONLY

## NOTES:

- SUITABLE FOR THE FOLLOWING COIN CELL CR2032
- ALL TOLERANCES ARE  $\pm 0.20$  UNLESS OTHERWISE STATED.

SB	3	28.01.14	12349
NAME	ISS.	DATE	C/NOTE
APPROVED:		S. BENNETT	
CHECKED:		S. FLOWER	
DRAWN:		R. ADDE	
CUSTOMER REF.:			
ASSEMBLY DRG:			

# HARWIN

www.harwin.com  
technical@harwin.com

THIS DRAWING AND ANY INFORMATION OR DESCRIPTIVE MATTER SET OUT HEREON ARE CONFIDENTIAL AND COPYRIGHT PROPERTY OF THE HARWIN GROUP AND MUST NOT BE DISCLOSED, LOANED, COPIED OR USED FOR MANUFACTURING, TENDERING OR FOR ANY OTHER PURPOSE WITHOUT THEIR WRITTEN PERMISSION.

## TOLERANCES

~~X =  $\pm 1mm$   
X.X =  $\pm 0.25mm$   
X.XX =  $\pm 0.10mm$   
X.XXX =  $\pm 0.01mm$   
ANGLES =  $\pm 5^{\circ}$   
UNLESS STATED~~

## MATERIAL:

SEE ABOVE

FINISH: SEE ABOVE

S/AREA: mm<sup>2</sup>

## TITLE:

COIN CELL HOLDER  
FOR CR2032

DRAWING NUMBER:

S8421-45R

SHT  
4  
OF  
4