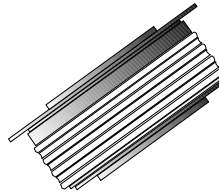




SD1100C(*)L Series

STANDARD RECOVERY DIODE

$I_{F(AV)} = 1170 \text{ A}$,



Case: B-Puk

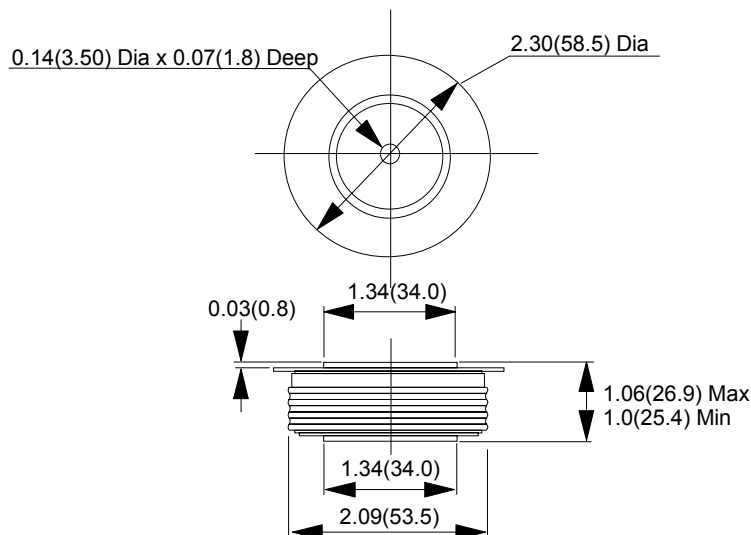
MAXIMUM RATINGS ($T_j = 25 \text{ }^\circ\text{C}$ unless stated otherwise)

Parameter	Symbol	SD1100C 04L	SD1100C 08L	SD1100C 12L	SD1100C 16L	SD1100C 20L	SD1100C 25L	SD1100C 30L	SD1100C 32L	Unit	
Repetitive Peak Reverse Voltage	V_{RRM}	400	800	1200	1600	2000	2500	3000	3200	Volt	
Maximum Average On-State Current	$I_{F(AV)}$	1170 at $TC=55^\circ\text{C}$					910 at $TC=55^\circ\text{C}$				Amp
Peak Forward Surge Current	I_{FSM}	13600					11000				Amp
Maximum I^2T for Fusing	I^2T	772					503				A ² /S
Maximum Storage Temperature Range	$T_{(STG)}$	-55 to +200					-55 to +200				$^\circ\text{C}$
Maximum Junction Temperature Range	T_j	-40 to +180					-40 to +150				$^\circ\text{C}$

ELECTRICAL CHARACTERISTICS at $25 \text{ }^\circ\text{C}$ Maximum Unless Stated

Parameter	Symbol	Condition	Value			Unit
			Min	Typ	Max	
Maximum Forward Voltage	V_{FM}	$I_{pk} = 1500 \text{ Amps } 400\text{-}2000\text{V}$			1.31	Volt
Maximum Forward Voltage	V_{FM}	$I_{pk} = 1500 \text{ Amps } 2500\text{-}3200\text{V}$			1.44	Volt
Repetitive Peak Off- State Current at $TC=175^\circ\text{C}$	I_{RRM}	$V_R = V_{RRM}$			15.0	mA
Thermal Resistance (Junction to Heatsink)	$R_{TH(j-h)}$				0.11	$^\circ\text{C/W}$
Mounting Torque	M_T				9800	NM
Weight	Wt				250	grms

Mechanical Dimensions



All Dimensions in Inches (Millimeters)
 Third Angle Projection