

Features

- Transient protection for data lines to **IEC61000-4-2(ESD) 15KV(air), 8KV(contact)**
- Small package for use in portable electronics
- Low operating and clamping voltage

Applications

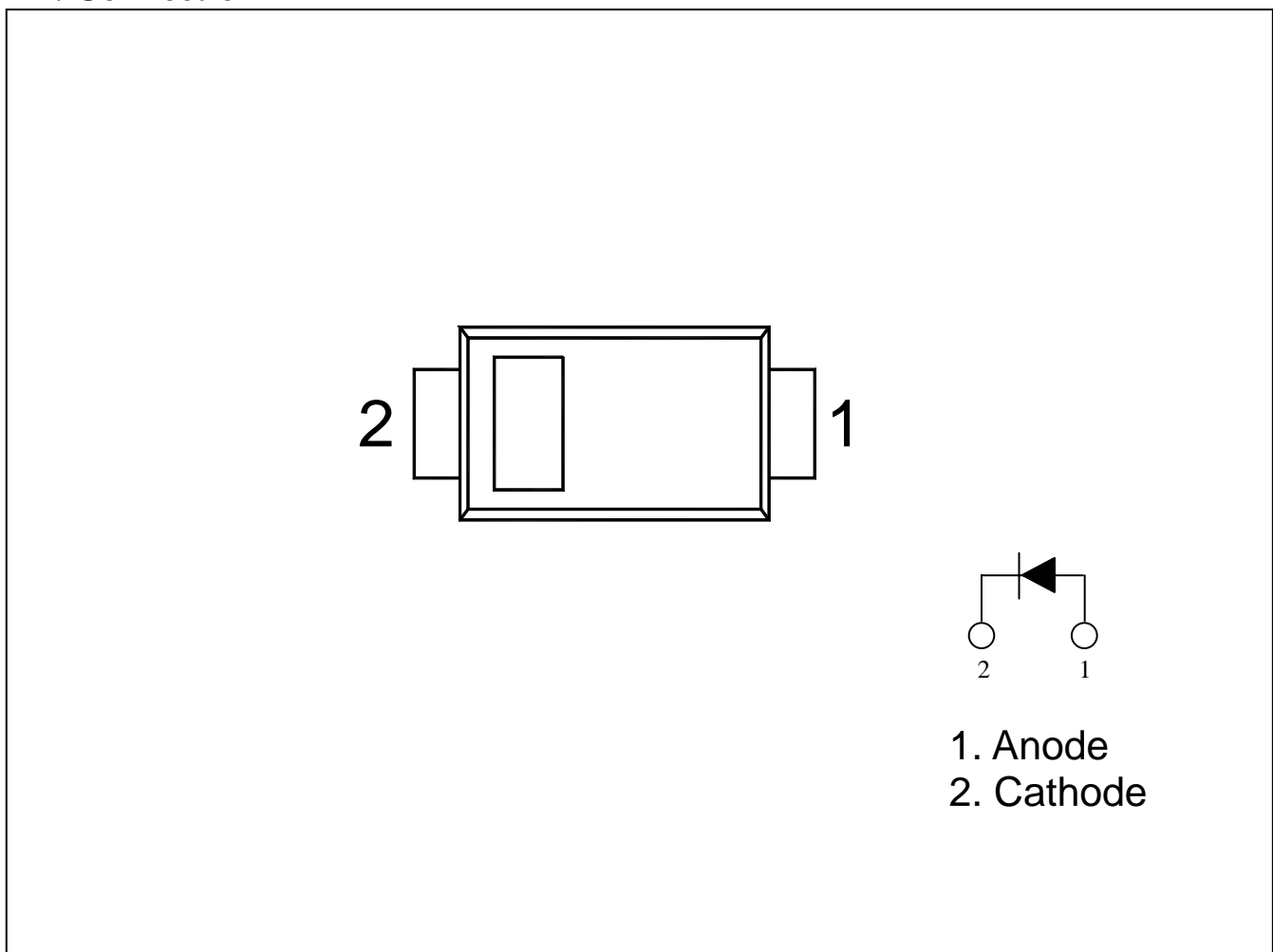
- Cellular Handsets and Accessories
- Microprocessor based equipment
- Notebooks, Desktops and Servers

Ordering Information

Type NO.	Marking	Package Code
SDT12D	$\overline{17}$ □ ① ②	SOD-323

① Device Code ② Year & Week Code

PIN Connection



Absolute maximum ratings

Ta=25°C

Characteristic	Symbol	Ratings	Unit
Peak pulse power (tp = 8/20 μ s)	P _{PK}	350	W
Peak pulse current (tp = 8/20 μ s)	I _{PP}	15	A
Lead soldering temperature	T _L	260 (10sec.)	°C
Junction temperature	T _J	150	°C
Storage temperature range	T _{stg}	-55 ~ 150	°C

Electrical Characteristics

Ta=25°C

Characteristic	Symbol	Test Condition	Min.	Typ.	Max.	Unit
Reverse stand-off voltage	V _{RWM}				12	V
Reverse breakdown voltage	V _R	I _t =1mA	13.3			V
Reverse leakage current	I _R	V _R =12V			1	μ A
Clamping voltage	V _C	I _{PP} =5A, tp=8/20 μ s			19	V
Junction capacitance	C _J	V _R =0V, f=1MHz			150	pF

Electrical Characteristics Curves

Fig. 1 Power derating curve

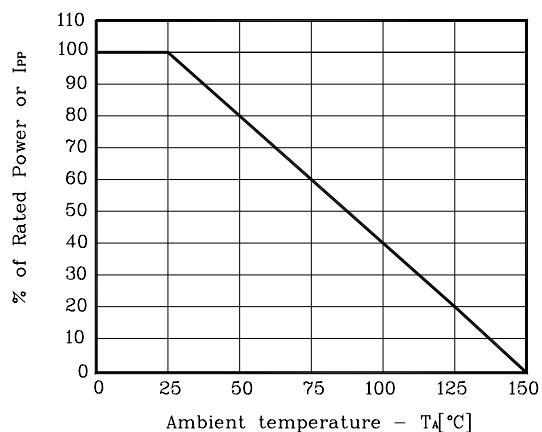


Fig. 2 None-repetitive peak pulse power vs pulse time

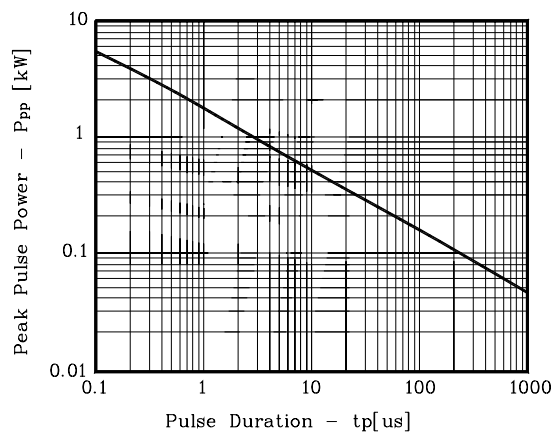


Fig. 3 Pulse Waveform

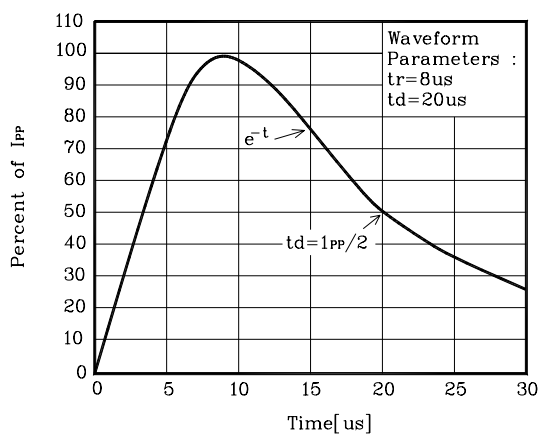
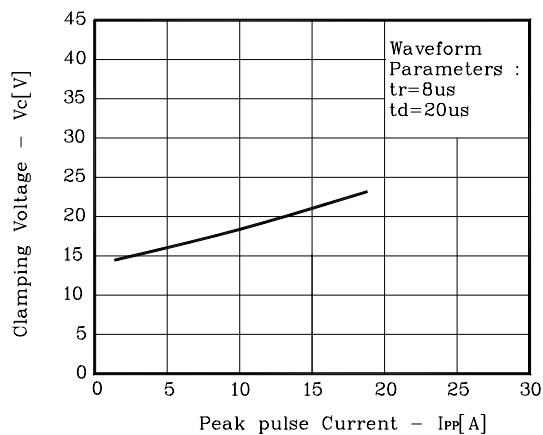
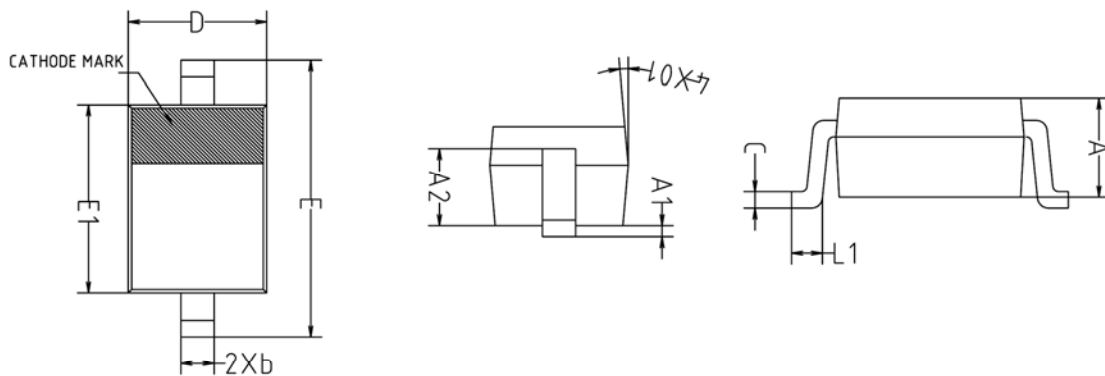


Fig. 4 Clamping voltage vs peak pulse current



Outline Dimension



SYMBOL	MILLIMETERS			NOTE
	MINIMUM	NOMINAL	MAXIMUM	
A	0.850	-	0.950	
A1	0.000	-	0.100	
A2	0.650	0.700	0.750	
b	0.250	0.300	0.350	
c	0.110	0.150	0.190	
D	1.200	1.250	1.300	
E	2.400	2.500	2.600	
E1	1.650	1.700	1.750	
L1	0.200	-	0.300	
$\theta 2$	5° REF			

The AUK Corp. products are intended for the use as components in general electronic equipment (Office and communication equipment, measuring equipment, home appliance, etc.).

Please make sure that you consult with us before you use these AUK Corp. products in equipments which require high quality and / or reliability, and in equipments which could have major impact to the welfare of human life(atomic energy control, airplane, spaceship, transportation, combustion control, all types of safety device, etc.). AUK Corp. cannot accept liability to any damage which may occur in case these AUK Corp. products were used in the mentioned equipments without prior consultation with AUK Corp..

Specifications mentioned in this publication are subject to change without notice.