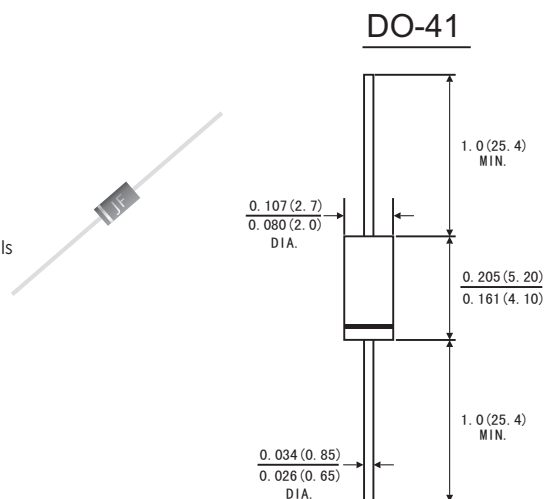


FEATURES

- Low forward voltage drop
- High current capability
- High reliability
- High surge current capability
- Lead (Pb)-free component
- Component in accordance to RoHS 2011/65/EU
- High temperature soldering guaranteed: 260°C/10 seconds at terminals

MECHANICAL DATA

- Case: JEDEC DO-41 molded plastic body
- Terminal: Plated axial leads, solderable per MIL-STD-750, method 2026
- Polarity: Color band denotes cathode end
- Weight: 0.012 ounce, 0.33 gram



Dimensions in inches and (millimeters)

MAXIMUM RATINGS AND ELECTRICAL CHARACTERISTICS

(Rating at 25 °C ambient temperature unless otherwise specified ,Single phase ,half wave ,60HZ, resistive or inductive load. For capacitive load, derate current by 20%.)

	Symbols	SF 11G	SF 12G	SF 13G	SF 14G	SF 15G	SF 16G	SF 17G	SF 18G	Units	
Maximum Repetitive Peak Reverse Voltage	V_{RRM}	50	100	150	200	300	400	500	600	Volts	
Maximum RMS Voltage	V_{RMS}	35	70	105	140	210	280	350	420	Volts	
Maximum DC Blocking Voltage	V_{DC}	50	100	150	200	300	400	500	600	Volts	
Maximum Average Forward Rectified Current	$I_{(AV)}$	1.0								Amps	
Peak Forward Surge Current 8.3ms single half sine-wave superimposed on rated load (JEDEC Method)	I_{FSM}	30								Amps	
Maximum Instantaneous Forward Voltage at 1.0 A	V_F	0.95			1.3			1.7		Volts	
Maximum DC Reverse Current At Rated DC Blocking Voltage	$T_A=25^{\circ}C$	5.0								μA	
	$T_A=125^{\circ}C$										100
Maximum Reverse Recovery Time (Note 1)	T_{rr}	35								ns	
Typical Junction Capacitance (Note 2)	C_j	30				15					pF
Typical Thermal Resistance (NOTE 3)	$R_{\theta JA}$	50								$^{\circ}C/W$	
Operating Junction Temperature Range	T_J	-55 to +150								$^{\circ}C$	
Storage Temperature Range	T_{STG}	-55 to +150								$^{\circ}C$	

Note: 1. Reverse Recovery Test conditions: $I_F=0.5A, I_R=1.0A, I_{RR}=0.25A$.

2. Measured at 1MHz and applied reverse voltage of 4.0 Volts.

3. Mount on 5mmX5mm Cu-Pad on PCB.

RATINGS AND CHARACTERISTIC CURVES SF11G THRU SF18G

FIG.1-MAXIMUM AVERAGE FORWARD CURRENT DERATING

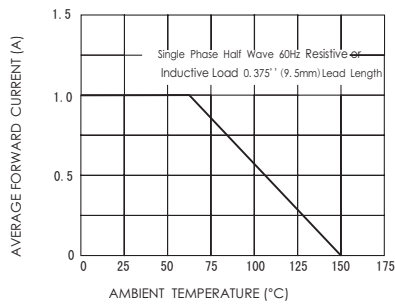


FIG.2-MAXIMUM NON-REPETITIVE FORWARD SURGE CURRENT

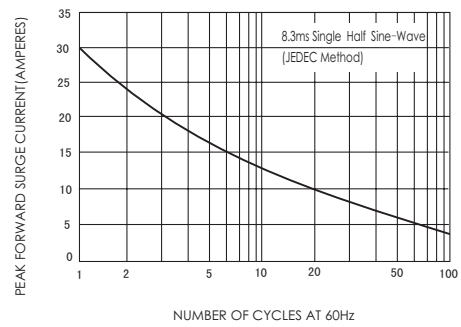


FIG.3-TYPICAL FORWARD CHARACTERISTICS

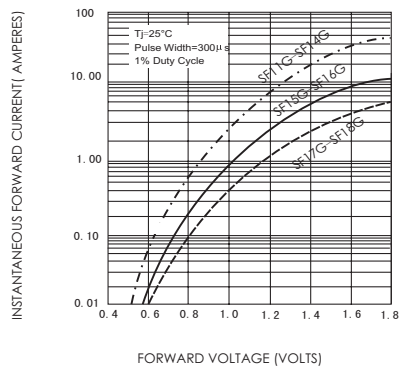


FIG.4-TYPICAL REVERSE CHARACTERISTICS

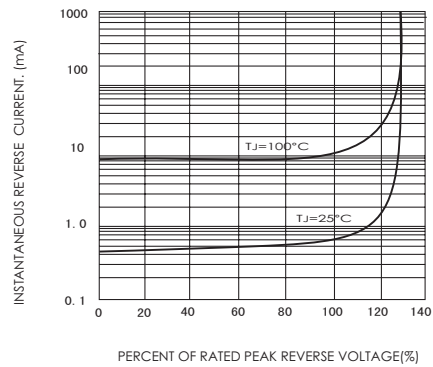


FIG.5-TYPICAL JUNCTION CAPACITANCE

