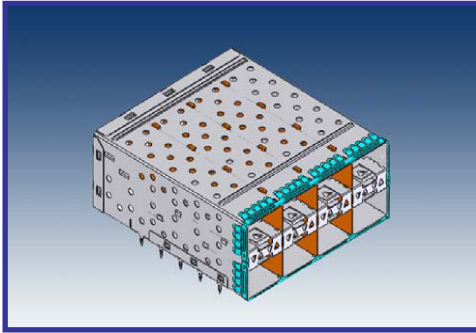


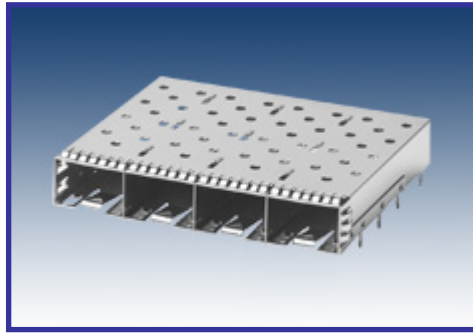
**SFP+ (2xN)** CAGE & CONNECTOR



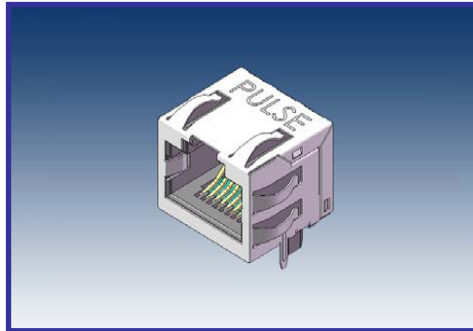
**SFP/SFP+ Transceiver**



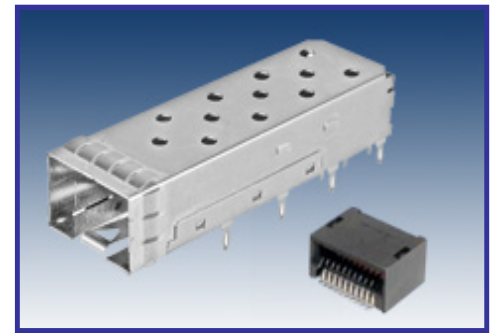
**SFP+ (1xN)** CAGE & CONNECTOR



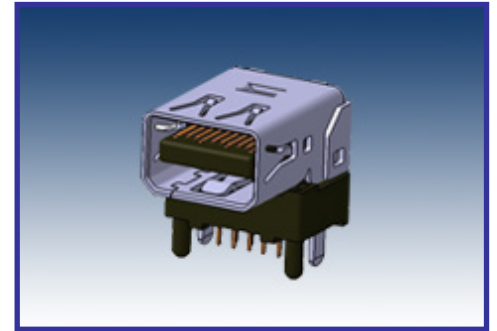
**RJ45-CAT5e** 1x1, 1xN, 2xN



**SFP/SFP+ (1x1)** CAGE or CONNECTOR or Both



**Thunderbolt** Mini Display Port



**USB3.0** A & B Type Female R/A  
Micro B Type Female SMT



**USB3.1** Mid-Mount 5G, 10G/  
Top-Mount 10G



SFP+ 2xN	2x1		2x2		2x4		2x6	
	w/ Elastomeric Gasket	w/ Metal EMI Tabs	w/ Elastomeric Gasket	w/ Metal EMI Tabs	w/ Elastomeric Gasket	w/ Metal EMI Tabs	w/ Elastomeric Gasket	w/ Metal EMI Tabs
No Light Pipes	SFPP-3148-L	SFPP-3143-L	SFPP-3138-L	SFPP-3133-L	SFPP-3128-L	SFPP-3123-L	SFPP-3118-L	SFPP-3113-L
with Light Pipes	All	SFPP-3145-L	SFPP-3140-L	SFPP-3135-L	SFPP-3130-L	SFPP-3125-L	SFPP-3120-L	SFPP-3115-L
	Inner	SFPP-3146-L	SFPP-3141-L	SFPP-3136-L	SFPP-3131-L	SFPP-3126-L	SFPP-3121-L	SFPP-3116-L

SFP 2xN	2x1	2x2	2x4	2x6	2x8
No Light Pipes	SFP0-3047-L	SFP0-3033-L	SFP0-3027-L	SFP0-3013-L	SFP0-3003-L
with Light Pipes	All	SFP0-3040-L	SFP0-3030-L	SFP0-3020-L	SFP0-3010-L
	Inner	SFP0-3041-L	SFP0-3031-L	SFP0-3021-L	SFP0-3011-L

SFP+ 1xN Cage	1x1		SFP 1xN Cage	1x1	SFP 1xN Connector	1x1	
	Standard	PCIe Compliant (1° tilt)	Press-fit	SFP0-1000-L		30μ"	SFPC-2001-L
Press-fit	SFPP-1100-L	SFPP-1110-L	Through-hole	SFP0-1010-L	15μ"	SFPC-2000-L	
Through-hole	—	SFPP-1130-L					

SFP/SFP+ Transceivers						
Part Number	Package	Wave Length (nm)	Data Rate	Distance	Temp.	Source
1000Base-T Copper SFP						
SFPT-RJK-01	Copper SFP	---	1000M	100M (UTP-5)	0~70	---
SFP with DDMI						
SFP-LX2-01	SFP	1310	1.25G	20KM	0~70	FP+PIN
SFP+						
SFPPT-SR3-01	SFP+	850	10G	300M	0~70	VSCSEL+PIN
BIDI SFP+						
SFPPT-BD2-01	SFP+	1270	10G	10KM	0~70	DFB+PIN

Thunderbolt	1x1	RJ45 CAT5e 1x1	E6788-540725-L	USB 3.0	1x1	USB 3.1 Type C	Part Num.
Ap 30μ	E9320-001-02	CAT5 - no LED	E6588-52L184-L	B Type	E8199-030-01	Mid-Mount Gen. 1 5G	E8124-010-01
Gold Flash	E9320-001-01	CAT5 - with LED	E6588-62LP45-L	Vertical THT	E8199-002-01	Mid-Mount Gen. 2 10G	E8124-011-01
				Micro-AB	E8110-001-01	Top-Mount Gen. 2 10G	E8124-015-01

\* For any other platforms, please contact Pulse for data sheets.