



SP6002

Synchronous Rectifier Driver

DESCRIPTION

The fundamental of SP6002 synchronous rectifier (SR) driver IC is based on our U.S. patented methods that utilize the principle of “prediction” logic circuit. The IC deliberates previous cycle timing to control the SR in present cycle by “predictive” algorithm that makes adjustments to the turn-off time, in order to achieve maximum efficiency and avoid cross-conduction at the same time. It also maintains the MOSFET’s body diode conduction at minimum level. The SP6002 is capable to adapt in almost all existing forward converters with few adjustments considered necessary.

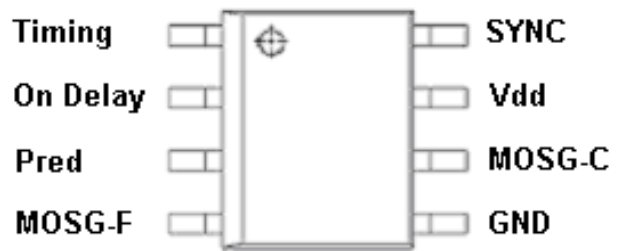
FEATURES

- Offers 4 to 8% efficiency improvement over Schottky Diodes (depend on drive configuration of the SR).
- Drives all logic level Power MOSFET.
- Prediction gate timing control.
- Minimum MOSFET body diode conduction.
- Operating frequency up to 650 KHz.
- Synchronize to transformer secondary voltage waveform.

APPLICATIONS

- Servers & workstations
- Storage area network power supplies
- Telecommunication converters
- Embedded systems
- Industrial & commercial systems using high current processors

PIN CONFIGURATION (SOP-8)



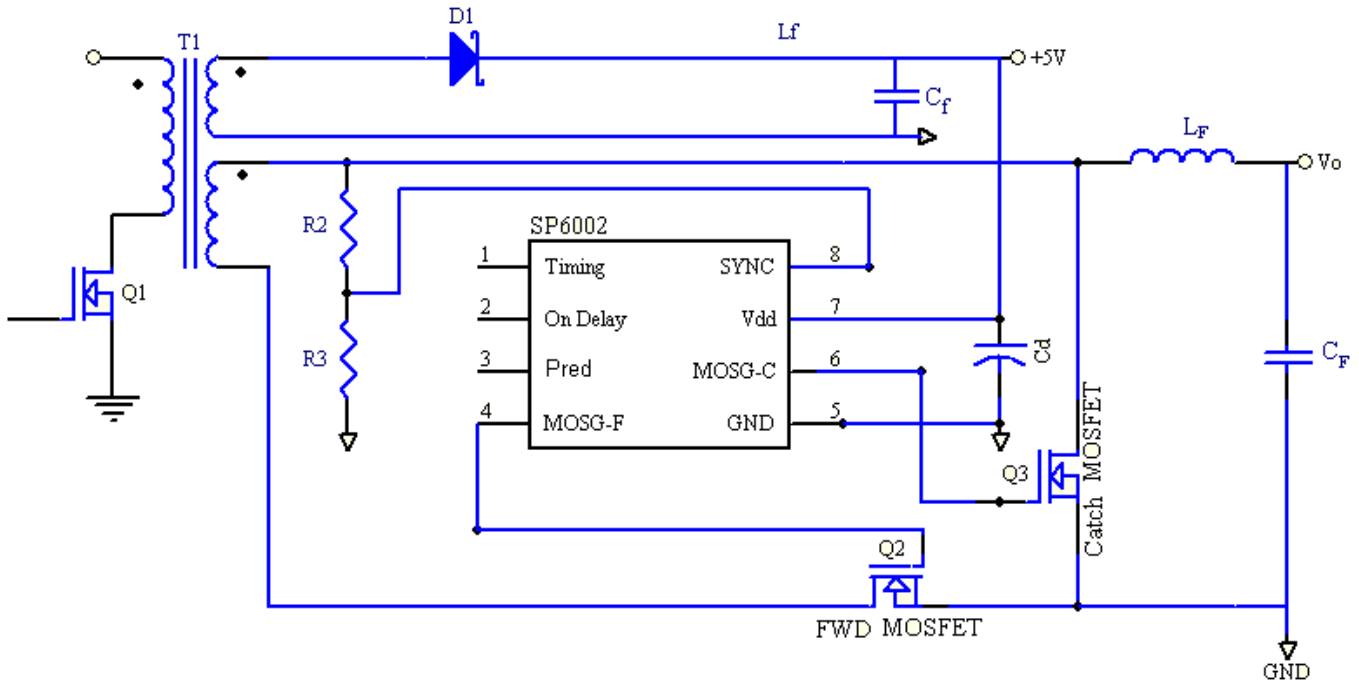
PART MARKING





SP6002 Synchronous Rectifier Driver

TYPICAL APPLICATION CIRCUIT



PIN DESCRIPTION

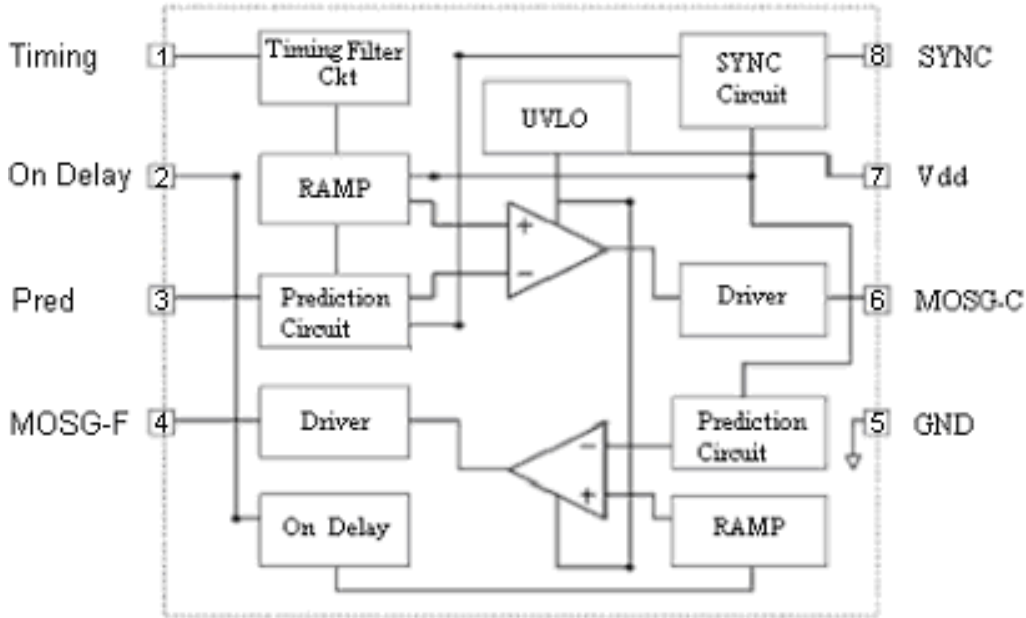
Pin	Symbol	Description
1	Timing	Discontinuous current filter timing adjustment resistor connection.
2	On Delay	Imposed delay between Catch gate turn OFF and Forward gate turn ON.
3	Pred	Capacitor to store previous cycle timing for Catch MOSFET
4	MOSG-F	Forward MOSFET gate drive.
5	GND	Ground connection.
6	MOSG-C	Catch MOSFET gate drive.
7	Vdd	DC supply voltage.
8	SYNC	Synchronized signal from transformer's output.



SP6002

Synchronous Rectifier Driver

BLOCK DIAGRAM



ORDERING INFORMATION

Part Number	Package	Part Marking
SP6002S8RG	SOP-8	SP6002I
SP6002S8TG	SOP-8	SP6002I
SP6002S8RGB	SOP-8	SP6002I
SP6002S8TGB	SOP-8	SP6002I

- ※ SP6002S8RG : 7" Tape Reel ; Pb – Free
- ※ SP6002S8TG : Tube ; Pb – Free
- ※ SP6002S8RGB : 7" Tape Reel ; Pb – Free ; Halogen - Free
- ※ SP6002S8TGB : Tube ; Pb – Free ; Halogen - Free

ABSOLUTE MAXIMUM RATINGS (T_A=25°C, unless otherwise specified.)

The following ratings designate persistent limits beyond which damage to the device may occur.

Symbol	Parameter	Value	Unit
V _{dd}	DC Supply Voltage	7	V
V _{SYNC}	SYNC Voltage	7.5	V
I _{OUT}	Peak Source Current (Pulsed)	1	A
	Peak Sink Current (Pulsed)	1.5	A
P _D	Power Dissipation @ T _A =85°C (*)	0.25	W
T _J	Operating Junction Temperature Range	-40 to 150	°C
T _{STG}	Storage Temperature Range	-40 to 150	°C
T _{LEAD}	Lead Soldering Temperature for 5 sec.	260	°C



SP6002

Synchronous Rectifier Driver

THERMAL RESISTANCE

Symbol	Parameter	Value	Unit
$R_{\theta JC}$	Thermal Resistance Junction – Case (*)	45	$^{\circ}\text{C}/\text{W}$

(*) The power dissipation and thermal resistance are evaluated under copper board mounted with free air conditions.

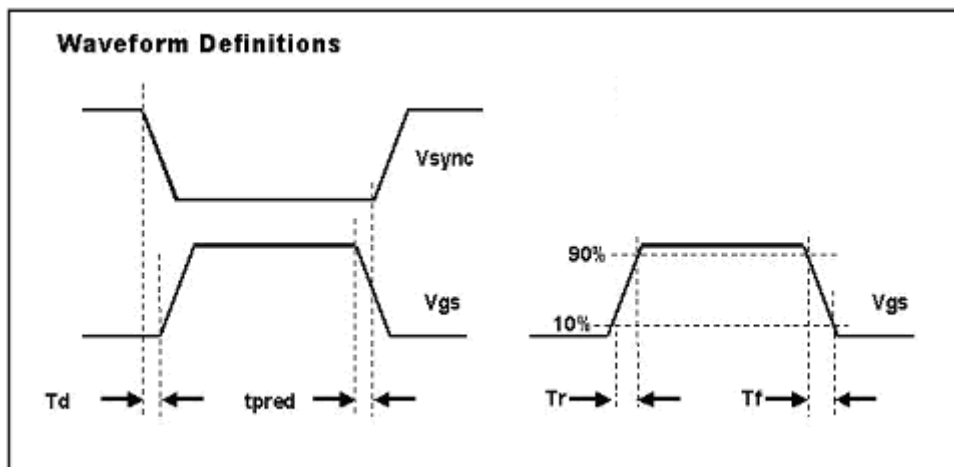
ELECTRICAL CHARACTERISTICS

($T_A=25^{\circ}\text{C}$, $V_{dd}=5\text{V}$, $V_{sync}=5\text{V}$, Freq. =300 KHz, Duty Cycle=50%, unless otherwise specified.)

Symbol	Parameter	Conditions	Min.	Typ.	Max.	Unit
SUPPLY INPUT						
I_{dd}	Supply current	No load	4	5.5	8	mA
V_{onth}	Vdd turn on threshold(*)			5.0	7.0	V
V_{offth}	Vdd turn off threshold		3.8	4.1		V
SYNC REFERENCE (SYNC)						
V_{shth}	SYNC high voltage		3.9	5.0		V
V_{slth}	SYNC low voltage			0.9	1.2	V
MOSFET GATE DRIVER (MOSG-C & MOSG-F)						
V_{oh}	Output high voltage	$I_o = -200\text{mA}$	4.8	4.9	5.0	V
V_{ol}	Output low voltage	$I_o = 200\text{mA}$	0.0	0.1	0.2	V
T_d	Propagation delay	No load	15	20	25	ns
T_r	Rise time	Load = 1nF (**)	24	28	36	ns
T_f	Fall time	Load = 1nF (**)	20	23	30	ns
T_{pred}	Delay time	No load		100		ns

(*) We have build in a diode from SYNC(pin8) to VDD(pin7).

(**) T_r & T_f are measured among 10% and 90% of starting and final voltage.



V_{gs} = MOSG-C Output



SP6002

Synchronous Rectifier Driver

PERFORMANCE CHARACTERISTICS ($T_A=25^{\circ}\text{C}$, unless otherwise specified.)

Figure 1: Supply Current vs Supply Voltage

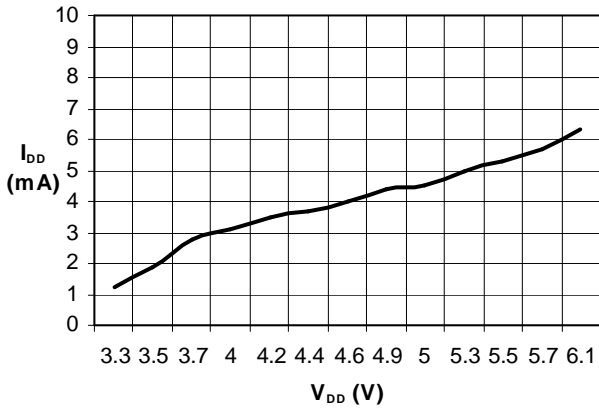


Figure 4: Supply Current vs Load Capacitor

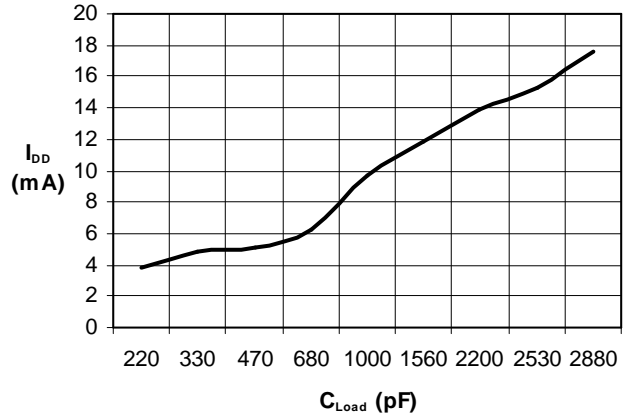


Figure 2: Output Rise Time vs Load Capacitor

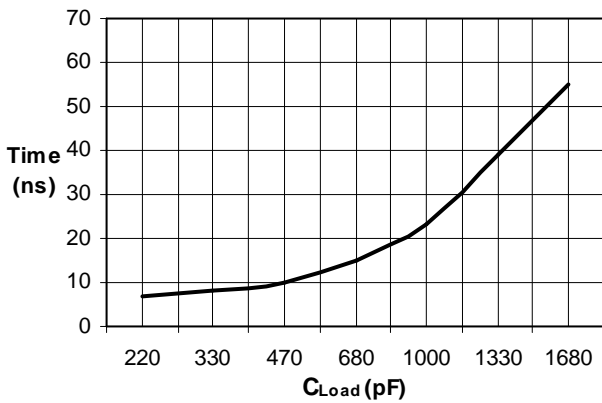


Figure 5: Supply Current vs Freq. @ No Load

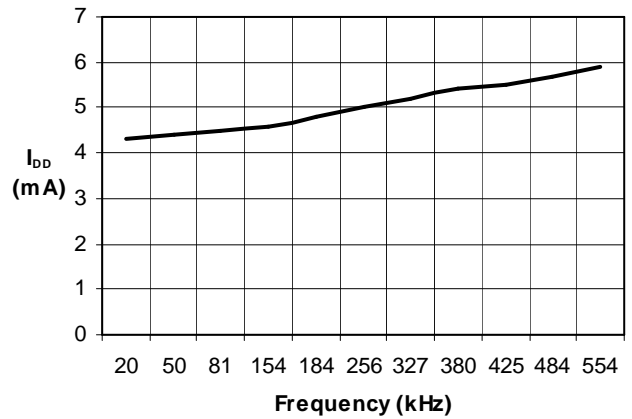


Figure 3: Output Fall Time vs Load Capacitor

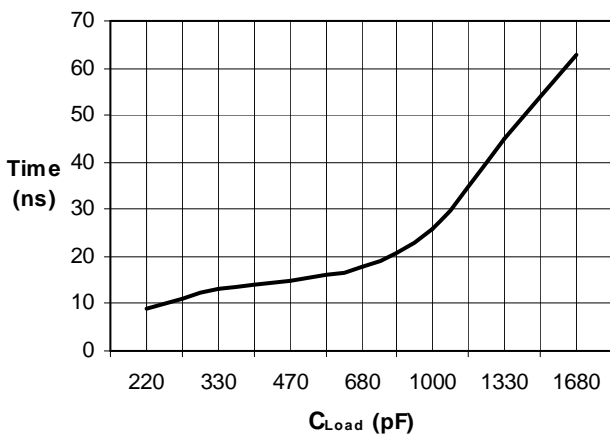
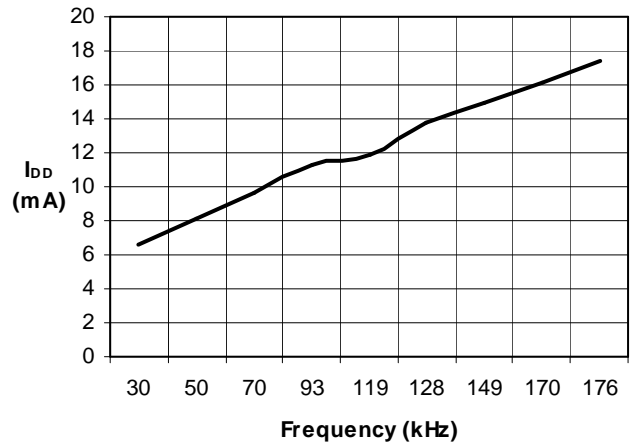


Figure 6: Supply Current vs Freq. @ Load=1nF

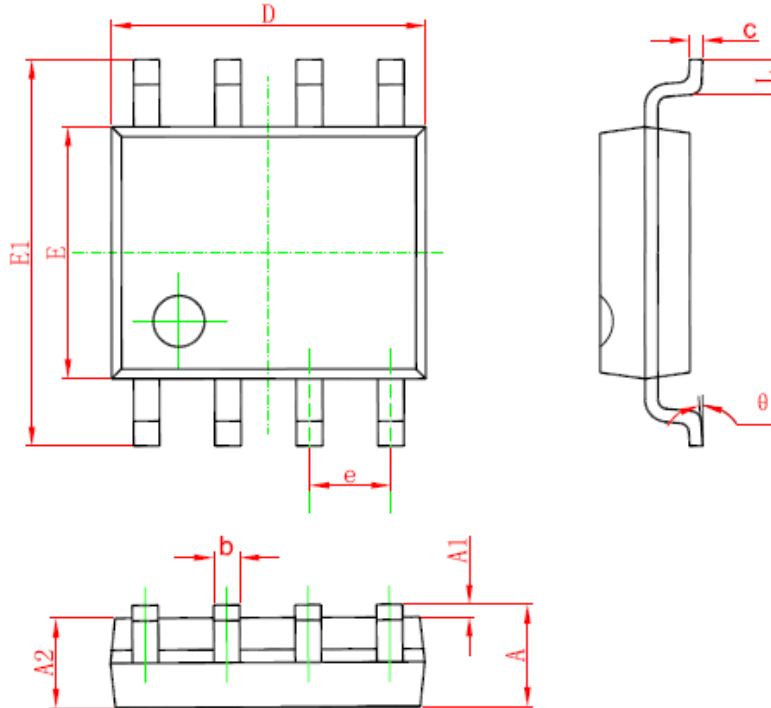




SP6002

Synchronous Rectifier Driver

SOP- 8 PACKAGE OUTLINE



Symbol	Dimensions In Millimeters		Dimensions In Inches	
	Min	Max	Min	Max
A	1.350	1.750	0.053	0.069
A1	0.100	0.250	0.004	0.010
A2	1.350	1.550	0.053	0.061
b	0.330	0.510	0.013	0.020
c	0.170	0.250	0.006	0.010
D	4.700	5.100	0.185	0.200
E	3.800	4.000	0.150	0.157
E1	5.800	6.200	0.228	0.244
e	1.270 (BSC)		0.050 (BSC)	
L	0.400	1.270	0.016	0.050
θ	0°	8°	0°	8°



SP6002

Synchronous Rectifier Driver

Information provided is alleged to be exact and consistent. SYNC Power Corporation presumes no responsibility for the penalties of use of such information or for any violation of patents or other rights of third parties that may result from its use. No license is granted by allegation or otherwise under any patent or patent rights of SYNC Power Corporation. Conditions mentioned in this publication are subject to change without notice. This publication surpasses and replaces all information previously supplied. SYNC Power Corporation products are not authorized for use as critical components in life support devices or systems without express written approval of SYNC Power Corporation.

©The SYNC Power logo is a registered trademark of SYNC Power Corporation
©2004 SYNC Power Corporation – Printed in Taiwan – All Rights Reserved
SYNC Power Corporation
7F-2, No.3-1, Park Street
NanKang District (NKSP), Taipei, Taiwan, 115, R.O.C
Phone: 886-2-2655-8178
Fax: 886-2-2655-8468
<http://www.syncpower.com>