

# SR1020CT THRU SR10200CT

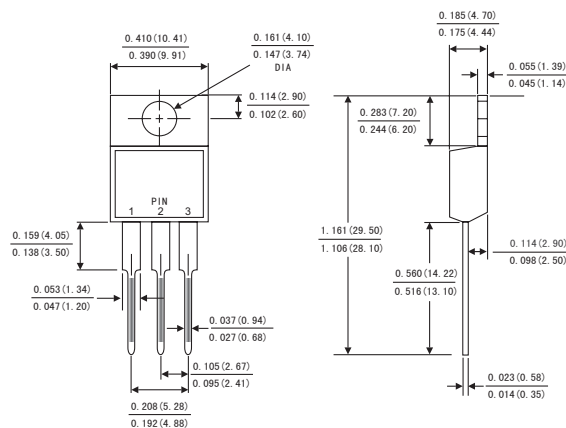
SCHOTTKY BARRIER RECTIFIER  
Reverse Voltage - 20 to 200 Volts  
Forward Current - 10.0Amperes

## FEATURES

- Plastic package has Underwriters Laboratory Flammability Classification 94V-0
- Metal silicon junction ,majority carrier conduction
- Guard ring for overvoltage protection
- Low power loss ,high efficiency
- High current capability ,Low forward voltage drop
- For use in low voltage ,high frequency inverters, free wheeling ,and polarity protection applications
- Dual rectifier construction
- High temperature soldering guaranteed:260 °C/10 seconds,,
- 0.25"(6.35mm)from case
- Component in accordance to RoHS 2011/65/EU



## TO-220AB



## MECHANICAL DATA

- Case: JEDEC TO-220AB molded plastic body
- Terminals: Lead solderable per MIL-STD-750.method 2026
- Polarity: As marked
- Mounting Position: Any

## MAXIMUM RATINGS AND ELECTRICAL CHARACTERISTICS

(Ratings at 25°C ambient temperature unless otherwise specified ,Single phase ,half wave ,resistive or inductive load. For capacitive load,derate by 20%.)

	Symbols	SR 1020CT	SR 1030CT	SR 1040CT	SR 1060CT	SR 10100CT	SR 10150CT	SR 10200CT	Units
Maximum repetitive peak reverse voltage	$V_{RRM}$	20	30	40	60	100	150	200	Volts
Maximum RMS voltage	$V_{RMS}$	14	21	28	42	70	105	140	Volts
Maximum DC blocking voltage	$V_{DC}$	20	30	40	60	100	150	200	Volts
Maximum average forward rectified current(see Fig.1)	Per leg	5.0							Amps
	Total device	10.0							
Peak forward surge current 8.3ms single half sine-wave superimposed on rated load (JEDEC method)	$I_{FSM}$	150.0							Amps
Maximum instantaneous forward voltage at 5.0 A per leg(Notes 1 )	$V_F$	0.60		0.75	0.85	0.90	0.95	Volts	
Maximum instantaneous reverse current at rated DC blocking voltage(Notes 1)	$T_A=25^{\circ}C$	200							$\mu A$
	$T_A=100^{\circ}C$	5							-
	$T_A=125^{\circ}C$	-							5
Typical thermal resistance (Notes 2)	$R_{\theta JC}$	2.5							$^{\circ}C/W$
Operating junction temperature range	$T_J$	-55 to+150							$^{\circ}C$
Storage temperature range	$T_{STG}$	-55 to+150							$^{\circ}C$

**Notes:** 1.Pulse test: 300 $\mu s$  pulse width,1% duty cycle  
2.Thermal resistance from junction to case

# RATINGS AND CHARACTERISTIC CURVES SR1020CT THRU SR10200CT

FIG.1-FORWARD CURRENT DERATING CURVE

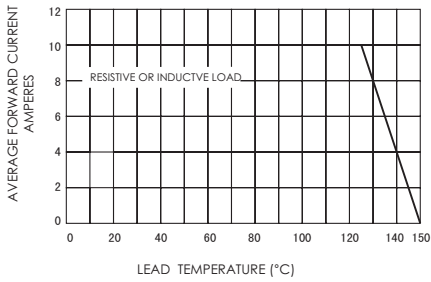


FIG.3-TYPICAL INSTANTANEOUS FORWARD CHARACTERISTICS

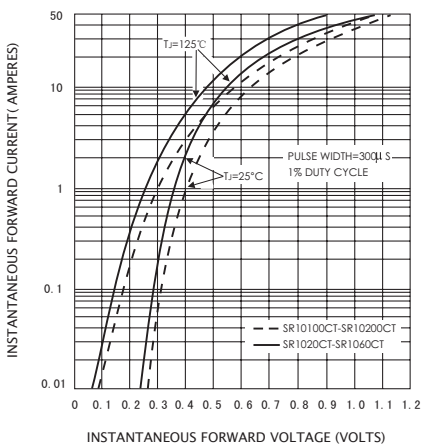


FIG.5-TYPICAL JUNCTION CAPACITANCE

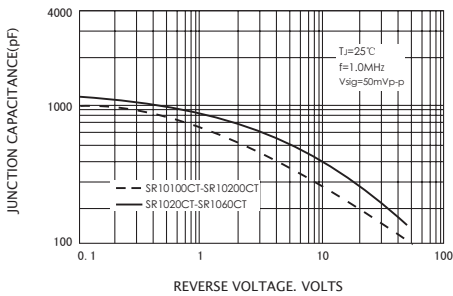


FIG.2-MAXIMUM NON-REPETITIVE PEAK FORWARD SURGE CURRENT

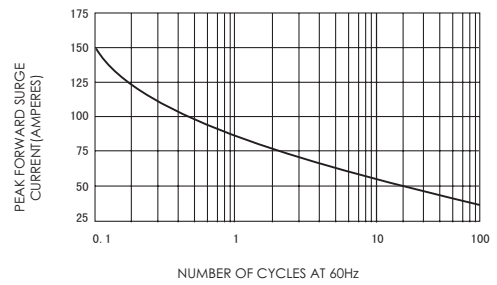


FIG.4-TYPICAL REVERSE CHARACTERISTICS

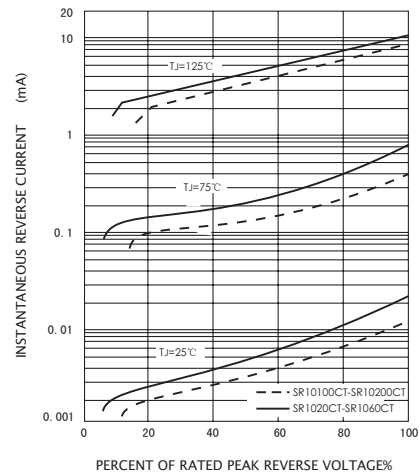


FIG.6-TYPICAL TRANSIENT THERMAL IMPEDANCE

