



Micro Commercial Components
 21201 Itasca Street Chatsworth
 CA 91311
 Phone: (818) 701-4933
 Fax: (818) 701-4939

SRD602 THRU SRD606

Features

- Meant of Silicon Rectifier, Majority Conducton
- For surface mounted applications
- Low Forward Voltage Drop
- High Current Capability, High Efficiency
- Low Power Loss

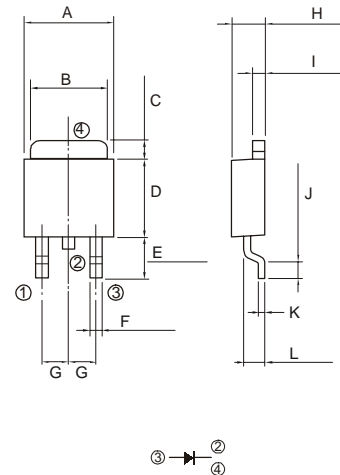
6.0 Amp Schottky Barrier Rectifier 20 to 60 Volts

Maximum Ratings

- Operating Junction Temperature: - 55°C to +125°C
- Storage Temperature: - 50 °C to +150°C

MCC Catalog Number	Maximum Reccurent Peak Reverse Voltage	Maximum RMS Voltage	Maximum DC Blocking Voltage
SRD602	20V	14V	20V
SRD603	30V	21V	30V
SRD604	40V	28V	40V
SRD605	50V	35V	50V
SRD606	60V	42V	60V

DPAK



Electrical Characteristics @ 25°C Unless Otherwise Specified

Average Forward Current	$I_{F(AV)}$	6A	$T_C = 75^\circ C$
Peak Forward Surge Current	I_{FSM}	75A	8.3ms, half sine
Maximum Instantaneous Forward Voltage SRD602-604 SRD605-606	V_F	.55V .70V	$I_{FM} = 3A;$ $T_J = 25^\circ C$
Maximum DC Reverse Current At Rated DC Blocking Voltage	I_R	0.1mA 15mA	$T_A = 25^\circ C$ $T_A = 100^\circ C$

*Pulse Test: Pulse Width 300µsec, Duty Cycle 2%

DIM	INCHES		MM		NOTE
	MIN	MAX	MIN	MAX	
A	.252	.268	6.4	6.8	
B	.197	.213	5.0	5.4	
C	.063		1.5		
D	.209	.225	5.3	5.7	
E	.090	.106	2.3	2.7	
F	.016	.032	0.4	0.8	
G	.090		2.3		
H	.092	.108	2.35	2.75	
I	.016	.024	0.4	0.6	
J	.012	.028	0.3	0.7	
K	.020		0.5		
L	.035	.051	0.9	1.3	

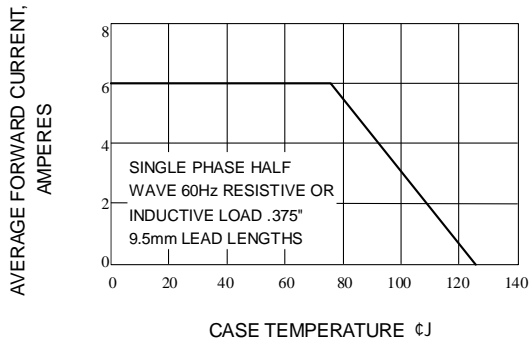


Fig. 1-FORWARD CURRENT DERATING CURVE

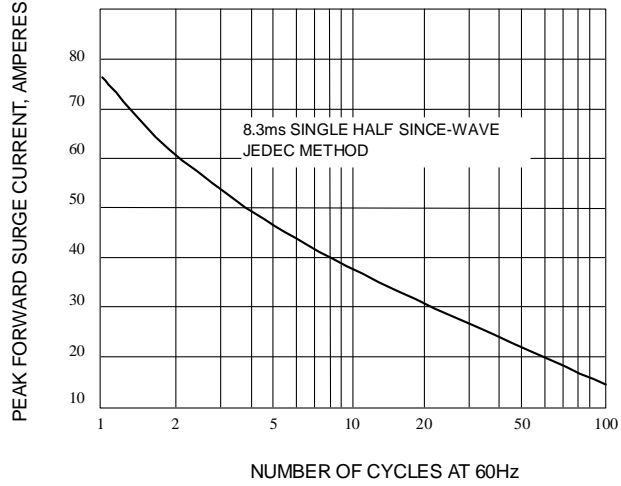


Fig. 2-MAXIMUM NON-REPETITIVE SURGE CURRENT

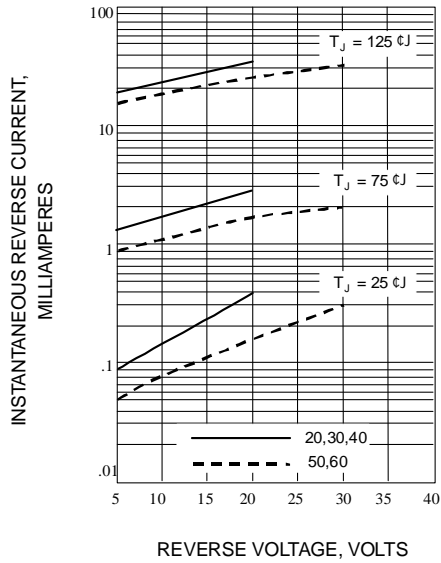


Fig. 3-TYPICAL REVERSE CHARACTERISTICS

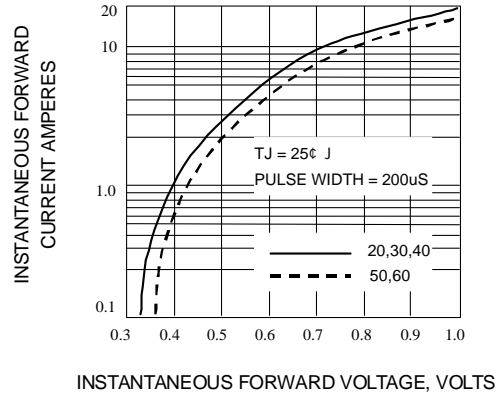


Fig. 4-TYPICAL FORWARD CHARACTERISTICS

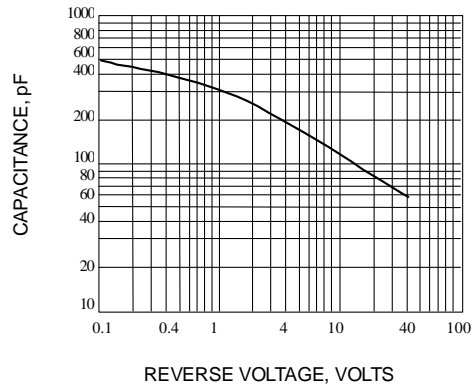


Fig. 5-TYPICAL JUNCTION CAPACITANCE