

# SSM1A430M7

Solid State Relay, Zelio Relay, zero voltage switching, DIN rail mount, 30A, 92 to 280VDC input, 48 to 660VAC output

Product availability : Non-Stock - Not normally stocked in distribution facility



Price\* : 62.97 USD



## Main

Range of product	Harmony Solid State Relays
Product or component type	Solid state relay up to 30 A
Device short name	SSM1
Number of phases	1 phase
Output switching mode	Zero voltage switching

## Complementary

Mounting support	Symmetrical DIN rail
Line Rated Current	30 A
Output voltage	48...660 V AC
[Uc] control circuit voltage	90...280 V AC
Tightening torque	0.6...0.7 N.m for input 1.36...1.7 N.m for output
Connections - terminals	Screw terminals 1 x 0.2...1 x 5.3 mm <sup>2</sup> , AWG 24...AWG 10) input Screw terminals 1 x 0.2...1 x 5.3 mm <sup>2</sup> , AWG 24...AWG 10) output
Maximum capacitance	8 pF for input/output
Insulation resistance	1000 MOhm at 500 V DC
Local signalling	for input status LED (green)
Switching voltage	90 V AC turn-on 10 V AC turn-off
Input current	2...10 mA
Solid state output type	SCR output Zero voltage switching
Load current	0.15...30 A
Transient overvoltage	1200 V

\* Price is "List Price" and may be subject to a trade discount – check with your local distributor or retailer for actual price.

Surge current	1200 A 16.6 ms
Maximum voltage drop	<1.6 V on-state
Maximum I <sup>2</sup> t for fusing	6000 A <sup>2</sup> .s for 8.3 ms
Maximum leakage current	1 mA off-state
DV/Dt	500 V/μs off-state at maximum voltage
Response time	10 ms (turn-on) 40 ms (turn-off)
Overvoltage category	III
Net weight	0.62 lb(US) (0.28 kg)

## Environment

Dielectric strength	4 kV AC for input/output 4 kV AC for input or output to case
Pollution degree	2
Standards	IEC 60950-1 CSA C22.2 No 14 UL 508
Product certifications	UL CSA EAC
Marking	CE EAC UL CSA
IP degree of protection	IP20
Ambient air temperature for operation	-40...176 °F (-40...80 °C)
Ambient air temperature for storage	-40...257 °F (-40...125 °C)

## Ordering and shipping details

Category	22375 - INTERFACE MODULE(ABA,R,S)
Discount Schedule	CP2
GTIN	03606485441610
Nbr. of units in pkg.	1
Package weight(Lbs)	10.58 oz (300 g)
Returnability	No
Country of origin	MX

## Packing Units

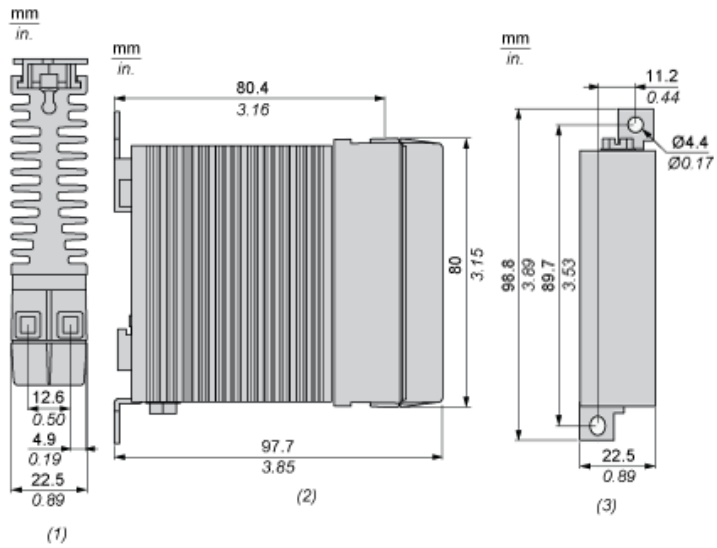
Unit Type of Package 1	PCE
Package 1 Height	1.22 in (3.1 cm)
Package 1 width	4.33 in (11 cm)
Package 1 Length	4.33 in (11 cm)

## Offer Sustainability

Sustainable offer status	Green Premium product
California proposition 65	WARNING: This product can expose you to chemicals including: Lead and lead compounds, which is known to the State of California to cause cancer and birth defects or other reproductive harm. For more information go to <a href="http://www.P65Warnings.ca.gov">www.P65Warnings.ca.gov</a>
REACH Regulation	<a href="#">REACH Declaration</a>
EU RoHS Directive	Pro-active compliance (Product out of EU RoHS legal scope) <a href="#">EU RoHS Declaration</a>
Mercury free	Yes
RoHS exemption information	<a href="#">Yes</a>
China RoHS Regulation	<a href="#">China RoHS declaration</a>
Environmental Disclosure	<a href="#">Product Environmental Profile</a>

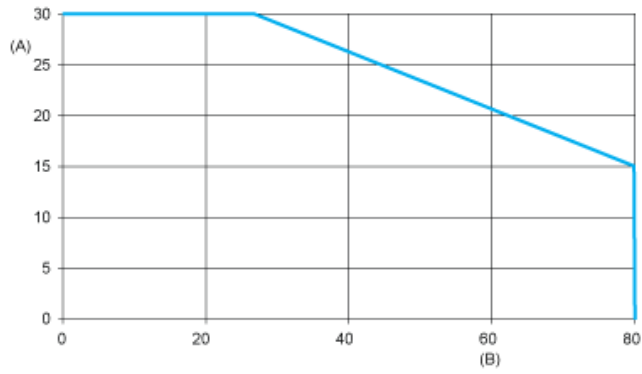


## Dimensions



- (1) Top view
- (2) Side view
- (3) Front view

Derating Curves



A : Load Current (Amperes)  
B : Ambient Temperature (°C)