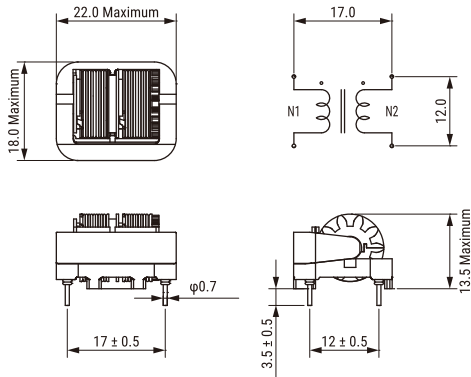


KEMET, SSR10V/H, Commercial Grade, 1600 uH



General Information	
<b>Series:</b>	SSR10V/H
<b>Style:</b>	Through-Hole Choke
<b>Description:</b>	Common Mode Choke. AC Line Filter. High Impedance Type.
<b>Features:</b>	Small Standard Common Mode, High Permeability, Compact Size, Low Profile, Light Weight, High Impedance, Strong Inductance
<b>RoHS:</b>	Yes
<b>Lead:</b>	Wire Leads
<b>Miscellaneous:</b>	65 (K) Temperature Rise Max.

Dimensions	
<b>L</b>	22mm MAX
<b>T</b>	18mm MAX
<b>H</b>	13.5mm MAX
<b>S</b>	12mm +/-0.5mm
<b>S1</b>	17mm +/-0.5mm
<b>LL</b>	3.5mm +/-0.5mm
<b>F</b>	0.7mm NOM
<b>Wire Size</b>	0.5mm

Specifications	
<b>Inductance:</b>	1.6 mH (10 kHz)
<b>Temperature Range:</b>	-20/+120C
<b>Rated Temperature:</b>	120C
<b>Current:</b>	3 A
<b>Voltage AC:</b>	250 VAC
<b>Withstanding Voltage:</b>	2400 VAC MAX
<b>Insulation Resistance:</b>	100 MOhms

Packaging Specifications	
<b>Weight:</b>	9 g
<b>Packaging:</b>	Tray
<b>Packaging Quantity:</b>	300

Statements of suitability for certain applications are based on our knowledge of typical operating conditions for such applications, but are not intended to constitute - and we specifically disclaim - any warranty concerning suitability for a specific customer application or use. This Information is intended for use only by customers who have the requisite experience and capability to determine the correct products for their application. Any technical advice inferred from this Information or otherwise provided by us with reference to the use of our products is given gratis, and we assume no obligation or liability for the advice given or results obtained.