





## 4 Mbit Flash + 1 Mbit or 256 Kbit SRAM ComboMemory SST31LF041 / SST31LF041A / SST31LF043 / SST31LF043A

Data Sheet

devices significantly improve performance and reliability, while lowering power consumption, when compared with multiple chip solutions. The SST31LF041/041A/043/043A inherently use less energy during Erase and Program than alternative flash technologies. When programming a flash device, the total energy consumed is a function of the applied voltage, current, and time of application. Since for any given voltage range, the SuperFlash technology uses less current to program and has a shorter Erase time, the total energy consumed during any Erase or Program operation is less than alternative flash technologies. The monolithic ComboMemory eliminates redundant functions when using two separate memories of similar architecture; therefore, reducing the total power consumption.

The SuperFlash technology provides fixed Erase and Program times, independent of the number of Erase/Program cycles that have occurred. Therefore the system software or hardware does not have to be modified or de-rated as is necessary with alternative flash technologies, whose Erase and Program times increase with accumulated Erase/Program cycles.

The SST31LF041/041A/043/043A devices also improve flexibility by using a single package and a common set of signals to perform functions previously requiring two separate devices. To meet high density, surface mount requirements, the SST31LF041/043 device is offered in 40-lead TSOP package and the SST31LF041A/043A device is offered in 32-lead TSOP package. See Figures 1 and 2 for the pinouts.

### Device Operation

The ComboMemory uses BES# and BEF# to control operation of either the SRAM or the flash memory bank. Bus contention is eliminated as the monolithic device will not recognize both bank enables as being simultaneously active. If both bank enables are asserted (i.e., BEF# and BES# are both low), the BEF# will dominate while the BES# is ignored and the appropriate operation will be executed in the flash memory bank. SST does not recommend that both bank enables be simultaneously asserted. All other address, data, and control lines are shared which minimizes power consumption and area. The device goes into standby when both bank enables are raised to  $V_{IH}$ . See Table 3 for SRAM operation mode selection.

**For SST31LF041A/043A only:** BES# and OE# share pin 32. During SRAM operation, pin 32 will function as BES#. During flash operation, pin 32 will function as OE#. When pin 32 (OE#/BES#) is high, the data bus is in high impedance state.

### SRAM Operation

With BES# low and BEF# high, the SST31LF041/041A operate as a 128K x8 CMOS SRAM and the SST31LF043/043A operate as 32K x8 CMOS SRAM, with fully static operation requiring no external clocks or timing strobes. The SRAM is mapped into the first 128 KByte address space of the device for 041/041A or 32 KByte for 043/043A. Read and Write cycle times are equal.

### SRAM Read

The SRAM Read operation of the SST31LF041/041A/043/043A are controlled by OE# and BES#, both have to be low with WE# high, for the system to obtain data from the outputs. BES# is used for SRAM bank selection. When BES# and BEF# are high, both memory banks are deselected. OE# is the output control and is used to gate data from the output pins. The data bus is in high impedance state when OE# is high. See Figure 3 for the Read cycle timing diagram.

### SRAM Write

The SRAM Write operation of the SST31LF041/041A/043/043A is controlled by WE# and BES#, both have to be low for the system to write to the SRAM. BES# is used for SRAM bank selection. During the Byte-Write operation, the addresses and data are referenced to the rising edge of either BES# or WE#, whichever occurs first. The Write time is measured from the last falling edge to the first rising edge of BES# and WE#. OE# can be  $V_{IL}$  or  $V_{IH}$ , but no other value, for SRAM Write operations. See Figure 4 for the SRAM Write cycle timing diagram.

### Flash Operation

With BEF# active, the SST31LF041/041A/043/043A operate as a 512K x8 flash memory. The flash memory bank is read using the common address lines, data lines, WE# and OE#. Erase and Program operations are initiated with the JEDEC standard SDP command sequences. Address and data are latched during the SDP commands and internally timed Erase and Program operations. See Table 3 for flash operation mode selection.

### Flash Read

The Read operation of the SST31LF041/041A/043/043A devices are controlled by BEF# and OE#, both have to be low, with WE# high, for the system to obtain data from the outputs. BEF# is used for flash memory bank selection. When BEF# and BES# are high, both banks are deselected and only standby power is consumed. OE# is the



# 4 Mbit Flash + 1 Mbit or 256 Kbit SRAM ComboMemory

## SST31LF041 / SST31LF041A / SST31LF043 / SST31LF043A

### Data Sheet

output control and is used to gate data from the output pins. The data bus is in high impedance state when OE# is high. See Figure 5 for the Read cycle timing diagram.

### Flash Erase/Program Operation

SDP commands are used to initiate the flash memory bank Program and Erase operations of the SST31LF041/041A/043/043A. SDP commands are loaded to the flash memory bank using standard microprocessor write sequences. A command is loaded by asserting WE# low while keeping BEF# low and OE# high. The address is latched on the falling edge of WE# or BEF#, whichever occurs last. The data is latched on the rising edge of WE# or BEF#, whichever occurs first.

### Flash Byte-Program Operation

The flash memory bank of the SST31LF041/041A/043/043A devices are programmed on a byte-by-byte basis. Before the Program operations, the memory must be erased first. The Program operation consists of three steps. The first step is the three-byte-load sequence for Software Data Protection. The second step is to load byte address and byte data. During the Byte-Program operation, the addresses are latched on the falling edge of either BEF# or WE#, whichever occurs last. The data is latched on the rising edge of either BEF# or WE#, whichever occurs first. The third step is the internal Program operation which is initiated after the rising edge of the fourth WE# or BEF#, whichever occurs first. The Program operation, once initiated, will be completed, within 20  $\mu$ s. See Figures 6 and 7 for WE# and BEF# controlled Program operation timing diagrams and Figure 17 for flowcharts. During the Program operation, the only valid Flash Read operations are Data# Polling and Toggle Bit. During the internal Program operation, the host is free to perform additional tasks. Any SDP commands loaded during the internal Program operation will be ignored.

### Flash Sector-Erase Operation

The Sector-Erase operation allows the system to erase the flash memory bank on a sector-by-sector basis. The sector architecture is based on uniform sector size of 4 KBytes. The Sector-Erase operation is initiated by executing a six-byte-command load sequence for Software Data Protection with Sector-Erase command (30H) and sector address (SA) in the last bus cycle. The address lines A<sub>18</sub>-A<sub>12</sub> will be used to determine the sector address. The sector address is latched on the falling edge of the sixth WE# pulse, while the command (30H) is latched on the rising edge of the sixth WE# pulse. The internal Erase operation begins after the sixth WE# pulse. The End-of-Erase can be determined

using either Data# Polling or Toggle Bit methods. See Figure 10 for timing waveforms. Any SDP commands loaded during the Sector-Erase operation will be ignored.

### Flash Bank-Erase Operation

The SST31LF041/041A/043/043A flash memory bank provides a Bank-Erase operation, which allows the user to erase the entire flash memory bank array to the "1s" state. This is useful when the entire bank must be quickly erased. The Bank-Erase operation is initiated by executing a six-byte Software Data Protection command sequence with Bank-Erase command (10H) with address 5555H in the last byte sequence. The internal Erase operation begins with the rising edge of the sixth WE# or BEF# pulse, whichever occurs first. During the internal Erase operation, the only valid Flash Read operations are Toggle Bit and Data# Polling. See Table 4 for the command sequence, Figure 11 for timing diagram, and Figure 20 for the flowchart. Any SDP commands loaded during the Bank-Erase operation will be ignored.

### Flash Write Operation Status Detection

The SST31LF041/041A/043/043A flash memory bank provides two software means to detect the completion of a flash memory bank Write (Program or Erase) cycle, in order to optimize the system Write cycle time. The software detection includes two status bits: Data# Polling (DQ<sub>7</sub>) and Toggle Bit (DQ<sub>6</sub>). The End-of-Write detection mode is enabled after the rising edge of WE#, which initiates the internal Program or Erase operation. The actual completion of the nonvolatile write is asynchronous with the system; therefore, either a Data# Polling or Toggle Bit Read may be simultaneous with the completion of the Write cycle. If this occurs, the system may possibly get an erroneous result, i.e., valid data may appear to conflict with either DQ<sub>7</sub> or DQ<sub>6</sub>. In order to prevent spurious rejection, if an erroneous result occurs, the software routine should include a loop to read the accessed location an additional two (2) times. If both reads are valid, then the device has completed the Write cycle, otherwise the rejection is valid.

### Flash Data# Polling (DQ<sub>7</sub>)

When the SST31LF041/041A/043/043A flash memory bank is in the internal Program operation, any attempt to read DQ<sub>7</sub> will produce the complement of the true data. Once the Program operation is completed, DQ<sub>7</sub> will produce true data. The flash memory bank is then ready for the next operation. During internal Erase operation, any attempt to read DQ<sub>7</sub> will produce a '0'. Once the internal Erase operation is completed, DQ<sub>7</sub> will produce a '1'. The Data# Polling is valid after the rising edge of the fourth WE#



# 4 Mbit Flash + 1 Mbit or 256 Kbit SRAM ComboMemory SST31LF041 / SST31LF041A / SST31LF043 / SST31LF043A

Data Sheet

(or BEF#) pulse for Program operation. For Sector or Bank-Erase, the Data# Polling is valid after the rising edge of the sixth WE# (or BEF#) pulse. See Figure 8 for Data# Polling timing diagram and Figure 18 for a flowchart.

## Flash Toggle Bit (DQ<sub>6</sub>)

During the internal Program or Erase operation, any consecutive attempts to read DQ<sub>6</sub> will produce alternating 0s and 1s, i.e., toggling between 0 and 1. When the internal Program or Erase operation is completed, the toggling will stop. The flash memory bank is then ready for the next operation. The Toggle Bit is valid after the rising edge of the fourth WE# (or BE#) pulse for Program operation. For Sector or Bank-Erase, the Toggle Bit is valid after the rising edge of the sixth WE# (or BEF#) pulse. See Figure 9 for Toggle Bit timing diagram and Figure 18 for a flowchart.

## Flash Memory Data Protection

The SST31LF041/041A/043/043A flash memory bank provides both hardware and software features to protect non-volatile data from inadvertent writes.

## Flash Hardware Data Protection

Noise/Glitch Protection: A WE# or BEF# pulse of less than 5 ns will not initiate a Write cycle.

V<sub>DD</sub> Power Up/Down Detection: The Write operation is inhibited when is less than 1.5V.

Write Inhibit Mode: Forcing OE# low, BEF# high, or WE# high will inhibit the Flash Write operation. This prevents inadvertent writes during power-up or power-down.

## Flash Software Data Protection (SDP)

The SST31LF041/041A/043/043A provide the JEDEC approved Software Data Protection scheme for all flash memory bank data alteration operations, i.e., Program and Erase. Any Program operation requires the inclusion of a series of three-byte sequence. The three byte-load sequence is used to initiate the Program operation, providing optimal protection from inadvertent Write operations, e.g., during the system power-up or power-down. Any Erase operation requires the inclusion of six-byte load sequence. The SST31LF041/041A/043/043A devices are shipped with the Software Data Protection permanently enabled. See Table 4 for the specific software command codes. During SDP command sequence, invalid SDP commands will abort the device to the Read mode, within T<sub>RC</sub>.

## Concurrent Read and Write Operations

The SST31LF041/041A/043/043A provide the unique benefit of being able to read from or write to SRAM, while simultaneously erasing or programming the Flash. The device will ignore all SDP commands when an Erase or Program operation is in progress. This allows data alteration code to be executed from SRAM, while altering the data in Flash. The following table lists all valid states. SST does not recommend that both bank enables, BEF# and BES#, be simultaneously asserted.

CONCURRENT READ/WRITE STATE TABLE

Flash	SRAM
Program/Erase	Read
Program/Erase	Write

Note that Product Identification commands use SDP; therefore, these commands will also be ignored while an Erase or Program operation is in progress.

## Product Identification

The product identification mode identifies the devices as either SST31LF041/043 or SST31LF041A/043A and the manufacturer as SST. This mode may be accessed by hardware or software operations. The hardware device ID Read operation is typically used by a programmer to identify the correct algorithm for the SST31LF041/041A/043/043A flash memory banks. Users may wish to use the software product identification operation to identify the part (i.e., using the device ID) when using multiple manufacturers in the same socket. For details, see Table 3 for hardware operation or Table 4 for software operation, Figure 12 for the software ID entry and read timing diagram and Figure 19 for the ID entry command sequence flowchart.

TABLE 1: PRODUCT IDENTIFICATION

	Address	Data
Manufacturer's ID	0000H	BFH
Device ID		
SST31LF041	0001H	17H
SST31LF041A	0001H	16H
SST31LF043	0001H	65H
SST31LF043A	0001H	66H

T1.2 349

## Product Identification Mode Exit/Reset

In order to return to the standard Read mode, the Software Product Identification mode must be exited. Exiting is accomplished by issuing the Exit ID command sequence,



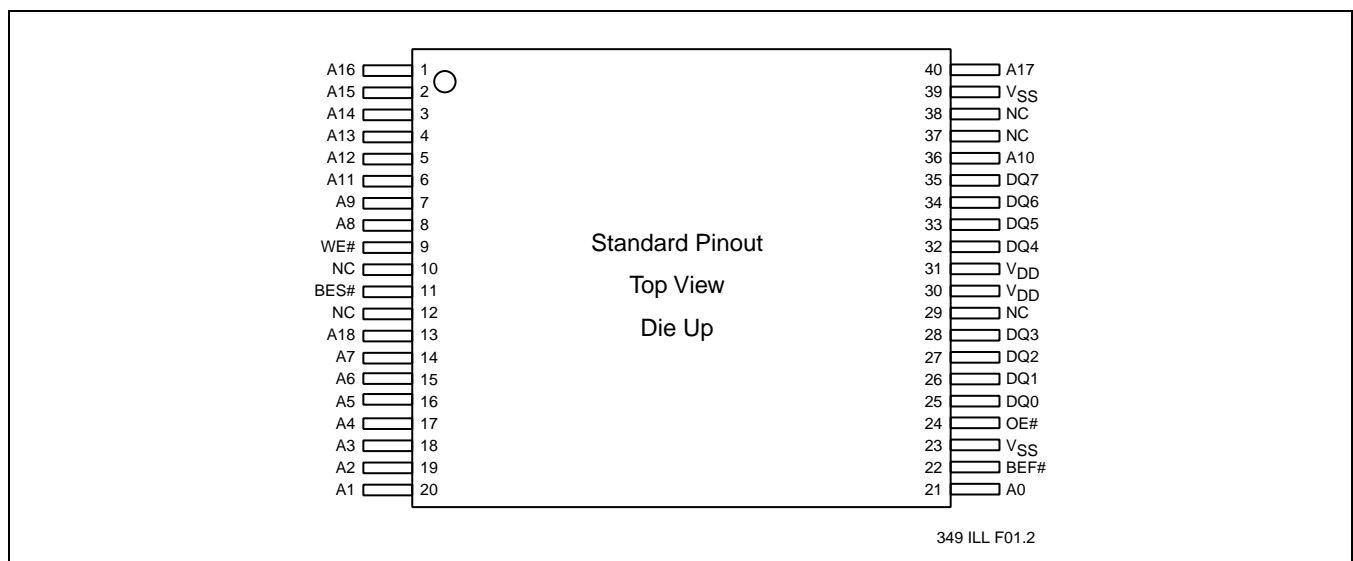
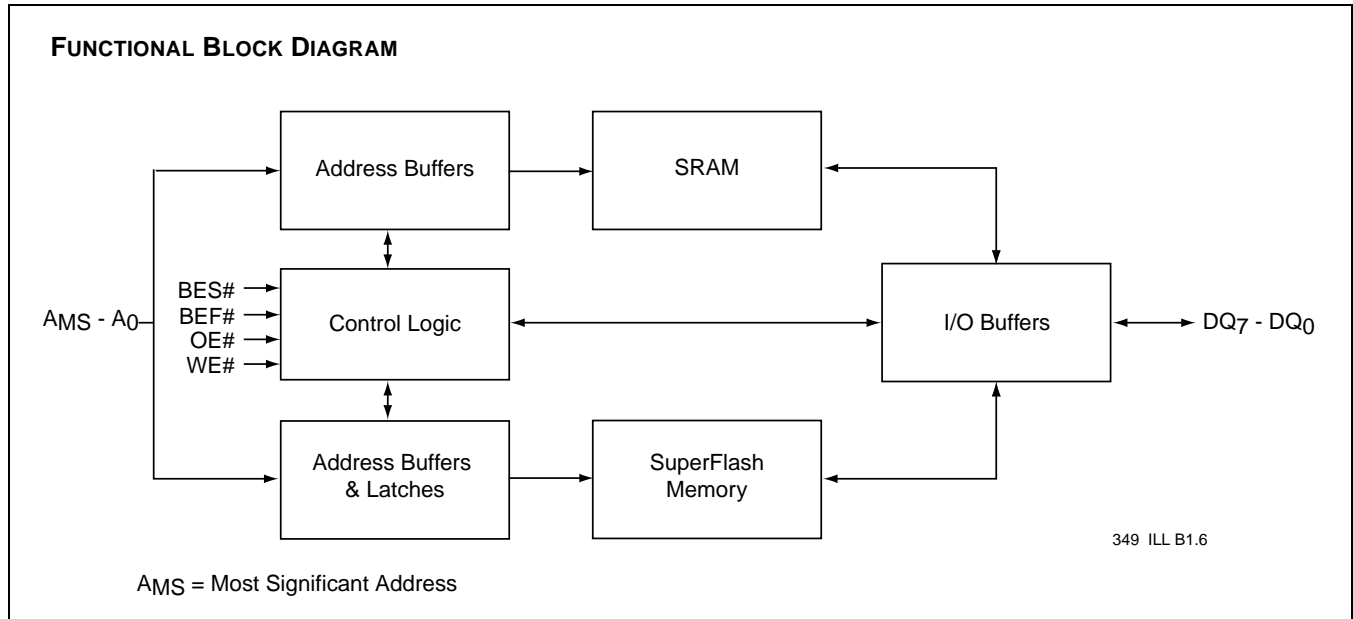
# 4 Mbit Flash + 1 Mbit or 256 Kbit SRAM ComboMemory SST31LF041 / SST31LF041A / SST31LF043 / SST31LF043A

## Data Sheet

which returns the device to the Read operation. Please note that the software-reset command is ignored during an internal Program or Erase operation. See Table 4 for software command codes, Figure 13 for timing waveform and Figure 19 for a flowchart.

## Design Considerations

SST recommends a high frequency 0.1  $\mu\text{F}$  ceramic capacitor to be placed as close as possible between  $V_{\text{DD}}$  and  $V_{\text{SS}}$ , e.g., less than 1 cm away from the  $V_{\text{DD}}$  pin of the device. Additionally, a low frequency 4.7  $\mu\text{F}$  electrolytic capacitor from  $V_{\text{DD}}$  to  $V_{\text{SS}}$  should be placed within 1 cm of the  $V_{\text{DD}}$  pin.

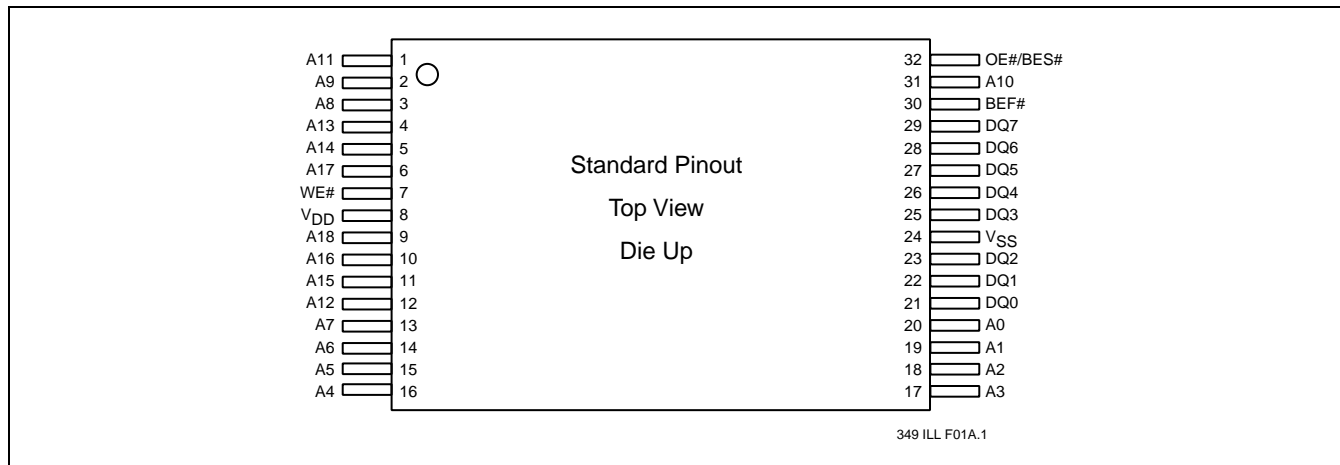


**FIGURE 1: PIN ASSIGNMENTS FOR 40-LEAD TSOP (10MM X 14MM) - SSTLF041/043**



# 4 Mbit Flash + 1 Mbit or 256 Kbit SRAM ComboMemory SST31LF041 / SST31LF041A / SST31LF043 / SST31LF043A

Data Sheet



**FIGURE 2: PIN ASSIGNMENTS FOR 32-LEAD TSOP (8MM X 14MM) - SSTLF041A/043A**

**TABLE 2: PIN DESCRIPTION**

Symbol	Pin Name	Functions
A <sub>MS</sub> <sup>1</sup> -A <sub>0</sub>	Address Inputs	To provide memory addresses. A <sub>18</sub> -A <sub>0</sub> to provide flash address A <sub>16</sub> -A <sub>0</sub> to provide SRAM addresses for SST32LF041/041A A <sub>14</sub> -A <sub>0</sub> to provide SRAM addresses for SST31LF043/043A During flash Sector-Erase, A <sub>18</sub> -A <sub>12</sub> address lines will select the sector.
DQ <sub>7</sub> -DQ <sub>0</sub>	Data Input/output	To output data during Read cycles and receive input data during Write cycles. Data is internally latched during a flash Erase/Program cycle. The outputs are in tri-state when OE# or BES# and BEF# are high.
BES#	SRAM Memory Bank Enable	To activate the SRAM memory bank when BES# is low. Note: For SST31LF041A/043A, BES# and OE# share pin 32.
BEF#	Flash Memory Bank Enable	To activate the Flash memory bank when BEF# is low.
OE#	Output Enable	To gate the data output buffers. Note: For SST31LF041A/043A, BES# and OE# share pin 32.
WE#	Write Enable	To control the Write operations.
V <sub>DD</sub>	Power Supply	3.0-3.6V Power Supply
V <sub>SS</sub>	Ground	

1. A<sub>MS</sub> = Most significant address

T2.11 349



# 4 Mbit Flash + 1 Mbit or 256 Kbit SRAM ComboMemory

## SST31LF041 / SST31LF041A / SST31LF043 / SST31LF043A

Data Sheet

**TABLE 3: OPERATION MODES SELECTION**

Mode	BES# <sup>1</sup>	BEF# <sup>1</sup>	OE#	WE#	A <sub>9</sub>	DQ	Address
Flash							
Read	X <sup>2</sup>	V <sub>IL</sub>	V <sub>IL</sub>	V <sub>IH</sub>	A <sub>IN</sub>	D <sub>OUT</sub>	A <sub>IN</sub>
Program	X	V <sub>IL</sub>	V <sub>IH</sub>	V <sub>IL</sub>	A <sub>IN</sub>	D <sub>IN</sub>	A <sub>IN</sub>
Erase	X	V <sub>IL</sub>	V <sub>IH</sub>	V <sub>IL</sub>	X	X	Sector address, XXH for Bank-Erase
SRAM							
Read	V <sub>IL</sub>	V <sub>IH</sub>	V <sub>IL</sub>	V <sub>IH</sub>	A <sub>IN</sub>	D <sub>OUT</sub>	A <sub>IN</sub>
Write	V <sub>IL</sub>	V <sub>IH</sub>	X	V <sub>IL</sub>	A <sub>IN</sub>	D <sub>IN</sub>	A <sub>IN</sub>
Standby	V <sub>IHC</sub>	V <sub>IHC</sub>	X	X	X	High Z	X
Flash Write Inhibit	X	X	V <sub>IL</sub>	X	X	High Z / D <sub>OUT</sub>	X
	X	X	X	V <sub>IH</sub>	X	High Z / D <sub>OUT</sub>	X
	X	V <sub>IH</sub>	X	X	X	High Z / D <sub>OUT</sub>	X
Product Identification							
Hardware Mode	X	V <sub>IL</sub>	V <sub>IL</sub>	V <sub>IH</sub>	V <sub>H</sub>	Manufacturer's ID (BFH) Device ID <sup>3</sup>	A <sub>18</sub> -A <sub>1</sub> =V <sub>IL</sub> , A <sub>0</sub> =V <sub>IL</sub> A <sub>18</sub> -A <sub>1</sub> =V <sub>IL</sub> , A <sub>0</sub> =V <sub>IH</sub>
Software Mode	X	V <sub>IL</sub>	V <sub>IL</sub>	V <sub>IH</sub>	A <sub>IN</sub>	ID Code	See Table 4

T3.9 349

1. BES# and BEF# cannot be asserted simultaneously. For SST31LF041A/043A BES# and OE# share pin 32. When flash is active, pin 32 becomes OE#. When flash is inactive, pin 32 becomes BES#.
2. X can be V<sub>IL</sub> or V<sub>IH</sub>, but no other value.
3. Device ID 17H for SST31LF041, 16H for SST31LF041A, 65H for SST31LF043 and 66H for SST31LF043A.

**TABLE 4: SOFTWARE COMMAND SEQUENCE**

Command Sequence	1st Bus Write Cycle		2nd Bus Write Cycle		3rd Bus Write Cycle		4th Bus Write Cycle		5th Bus Write Cycle		6th Bus Write Cycle	
	Addr <sup>1</sup>	Data	Addr <sup>1</sup>	Data	Addr <sup>1</sup>	Data	Addr <sup>1</sup>	Data	Addr <sup>1</sup>	Data	Addr <sup>1</sup>	Data
Byte-Program	5555H	AAH	2AAAH	55H	5555H	A0H	BA <sup>2</sup>	Data				
Sector-Erase	5555H	AAH	2AAAH	55H	5555H	80H	5555H	AAH	2AAAH	55H	SA <sub>X</sub> <sup>3</sup>	30H
Bank-Erase	5555H	AAH	2AAAH	55H	5555H	80H	5555H	AAH	2AAAH	55H	5555H	10H
Software ID Entry <sup>4,5</sup>	5555H	AAH	2AAAH	55H	5555H	90H						
Software ID Exit	5555H	AAH	2AAAH	55H	5555H	F0H						

T4.7 349

1. Address format A<sub>14</sub>-A<sub>0</sub> (Hex), Address A<sub>15</sub>-A<sub>18</sub> can be V<sub>IL</sub> or V<sub>IH</sub>, but no other value, for the Command sequence.
2. BA = Program Byte address
3. SA<sub>X</sub> for Sector-Erase; uses A<sub>18</sub>-A<sub>12</sub> address lines
4. The device does not remain in Software Product ID Mode if powered down.
5. With A<sub>18</sub>-A<sub>1</sub> = 0; SST Manufacturer's ID= BFH, is read with A<sub>0</sub> = 0,  
SST31LF041 Device ID = 17H, is read with A<sub>0</sub> = 1,  
SST31LF041A Device ID = 16H, is read with A<sub>0</sub> = 1  
SST31LF043 Device ID = 65H, is read with A<sub>0</sub> = 1  
SST31LF043A Device ID = 66H, is read with A<sub>0</sub> = 1



# 4 Mbit Flash + 1 Mbit or 256 Kbit SRAM ComboMemory

## SST31LF041 / SST31LF041A / SST31LF043 / SST31LF043A

Data Sheet

**Absolute Maximum Stress Ratings** (Applied conditions greater than those listed under “Absolute Maximum Stress Ratings” may cause permanent damage to the device. This is a stress rating only and functional operation of the device at these conditions or conditions greater than those defined in the operational sections of this data sheet is not implied. Exposure to absolute maximum stress rating conditions may affect device reliability.)

Operating Temperature . . . . . -20°C to +85°C  
 Storage Temperature . . . . . -65°C to +150°C  
 D. C. Voltage on Any Pin to Ground Potential . . . . . -0.5V to  $V_{DD}+0.5V$   
 Transient Voltage (<20 ns) on Any Pin to Ground Potential . . . . . -1.0V to  $V_{DD}+1.0V$   
 Voltage on A<sub>9</sub> Pin to Ground Potential . . . . . -0.5V to 13.2V  
 Package Power Dissipation Capability (Ta = 25°C) . . . . . 1.0W  
 Surface Mount Lead Soldering Temperature (3 Seconds) . . . . . 240°C  
 Output Short Circuit Current<sup>1</sup> . . . . . 50 mA

1. Outputs shorted for no more than one second. No more than one output shorted at a time.

**OPERATING RANGE**

Range	Ambient Temp	V <sub>DD</sub>
Commercial	0°C to +70°C	3.0-3.6V
Extended	-20°C to +85°C	3.0-3.6V

**AC CONDITIONS OF TEST**

Input Rise/Fall Time . . . . .	5 ns
Output Load . . . . .	C <sub>L</sub> = 30 pF
See Figures 15 and 16	





# 4 Mbit Flash + 1 Mbit or 256 Kbit SRAM ComboMemory

## SST31LF041 / SST31LF041A / SST31LF043 / SST31LF043A

Data Sheet

**TABLE 5: DC OPERATING CHARACTERISTICS ( $V_{DD} = 3.0-3.6V$ )**

Symbol	Parameter	Limits			Test Conditions
		Min	Max	Units	
$I_{DD}$	Power Supply Current				Address input = $V_{IL}/V_{IH}$ , at $f=1/T_{RC}$ Min, $V_{DD}=V_{DD}$ Max, all DQs open
	Read				$OE\#=V_{IL}$ , $WE\#=V_{IH}$
	Flash		12	mA	$BEF\#=V_{IL}$ , $BES\#=V_{IH}$
	SRAM		40	mA	$BEF\#=V_{IH}$ , $BES\#=V_{IL}$
	Concurrent Operation		55	mA	$BEF\#=V_{IH}$ , $BES\#=V_{IL}$
	Write				$OE\#=V_{IH}$ , $WE\#=V_{IL}$
	Flash (Program)		15	mA	$BEF\#=V_{IL}$ , $BES\#=V_{IH}$
	SRAM		40	mA	$BEF\#=V_{IH}$ , $BES\#=V_{IL}$
$I_{SB}^1$	Standby $V_{DD}$ Current		30	$\mu A$	$BEF\#=BES\#=V_{IHC}$ , $V_{DD}=V_{DD}$ Max
$I_{LI}$	Input Leakage Current		1	$\mu A$	$V_{IN}=GND$ to $V_{DD}$ , $V_{DD}=V_{DD}$ Max
$I_{LO}$	Output Leakage Current		1	$\mu A$	$V_{OUT}=GND$ to $V_{DD}$ , $V_{DD}=V_{DD}$ Max
$V_{IL}$	Input Low Voltage		0.4	V	$V_{DD} = V_{DD}$ Min
$V_{IH}$	Input High Voltage	$0.7V_{DD}$		V	$V_{DD} = V_{DD}$ Max
$V_{IHC}$	Input High Voltage (CMOS)	$V_{DD}-0.3$		V	$V_{DD} = V_{DD}$ Max
$V_{OL}$	Output Low Voltage		0.2	V	$I_{OL} = 100 \mu A$ , $V_{DD} = V_{DD}$ Min
$V_{OH}$	Output High Voltage	$V_{DD}-0.2$		V	$I_{OH} = -100 \mu A$ , $V_{DD} = V_{DD}$ Min
$V_H$	Supervoltage for $A_9$ pin	11.4	12.6	V	$BEF\#=OE\#=V_{IL}$ , $WE\#=V_{IH}$
$I_H$	Supervoltage Current for $A_9$ pin		200	$\mu A$	$BEF\#=OE\#=V_{IL}$ , $WE\#=V_{IH}$ , $A_9=V_H$ Max

T5.14 349

1. Specification applies to commercial temperature devices only. This parameter may be higher for extended devices.

**TABLE 6: RECOMMENDED SYSTEM POWER-UP TIMINGS**

Symbol	Parameter	Minimum	Units
$T_{PU-READ}^1$	Power-up to Read Operation	100	$\mu s$
$T_{PU-WRITE}^1$	Power-up to Write Operation	100	$\mu s$

T6.2 349

1. This parameter is measured only for initial qualification and after a design or process change that could affect this parameter.

**TABLE 7: CAPACITANCE ( $T_a = 25^\circ C$ ,  $f=1$  Mhz, other pins open)**

Parameter	Description	Test Condition	Maximum
$C_{I/O}^1$	I/O Pin Capacitance	$V_{I/O} = 0V$	12 pF
$C_{IN}^1$	Input Capacitance	$V_{IN} = 0V$	6 pF

T7.2 349

1. This parameter is measured only for initial qualification and after a design or process change that could affect this parameter.

**TABLE 8: RELIABILITY CHARACTERISTICS**

Symbol	Parameter	Minimum Specification	Units	Test Method
$N_{END}^1$	Endurance	10,000	Cycles	JEDEC Standard A117
$T_{DR}^1$	Data Retention	100	Years	JEDEC Standard A103
$I_{LTH}^1$	Latch Up	$100 + I_{DD}$	mA	JEDEC Standard 78

T8.4 349

1. This parameter is measured only for initial qualification and after a design or process change that could affect this parameter.



# 4 Mbit Flash + 1 Mbit or 256 Kbit SRAM ComboMemory

## SST31LF041 / SST31LF041A / SST31LF043 / SST31LF043A

Data Sheet

### AC CHARACTERISTICS

**TABLE 9: SRAM MEMORY BANK CYCLE TIMING PARAMETERS ( $V_{DD} = 3.0-3.6V$ )**

Symbol	Parameter	SST31LF041/043-70		SST31LF041A/043A-300		Units
		Min	Max	Min	Max	
$T_{RCS}$	Read Cycle Time	70		300		ns
$T_{BES}$	Bank Enable Access Time		70		300	ns
$T_{AAS}$	Address Access Time		70		300	ns
$T_{OES}^1$	Output Enable Access Time		35		150	ns
$T_{BLZS}^2$	BES# to Active Output	0		0		ns
$T_{OLZS}^1$	Output Enable to Active Output	0		0		ns
$T_{BHZS}^1$	BES# to High-Z Output		25		30	ns
$T_{OHZS}^1$	Output Disable to High-Z Output		25		30	ns
$T_{OHS}$	Output Hold from Address Change	0		10		ns

T9.8 349

1. No  $T_{OES}$  value for SST31LF041A/043A
2. This parameter is measured only for initial qualification and after a design or process change that could affect this parameter.

**TABLE 10: SRAM MEMORY BANK WRITE CYCLE TIMING PARAMETERS ( $V_{DD} = 3.0-3.6V$ )**

Symbol	Parameter	SST31LF041/043-70		SST31LF041A/043A-300		Unit
		Min	Max	Min	Max	
$T_{WCS}$	Write Cycle Time	70		300		ns
$T_{BWS}$	Bank Enable to End-of-Write	60		230		ns
$T_{AWS}$	Address Valid to End-of-Write	60		230		ns
$T_{ASTS}$	Address Set-up Time	0		0		ns
$T_{WPS}$	Write Pulse Width	60		200		ns
$T_{WRS}$	Write Recovery Time	0		0		ns
$T_{DSS}$	Data Set-up Time	30		150		ns
$T_{DHS}$	Data Hold from Write Time	0		0		ns

T10.5 349

**TABLE 11: FLASH READ CYCLE TIMING PARAMETERS ( $V_{DD} = 3.0-3.6V$ )**

Symbol	Parameter	SST31LF041/043-70		SST31LF041A/043A-300		Units
		Min	Max	Min	Max	
$T_{RC}$	Read Cycle Time	70		300		ns
$T_{BE}$	Bank Enable Access Time		70		300	ns
$T_{AA}$	Address Access Time		70		300	ns
$T_{OE}$	Output Enable Access Time		40		150	ns
$T_{BLZ}^1$	BEF# Low to Active Output	0		0		ns
$T_{OLZ}^1$	OE# Low to Active Output	0		0		ns
$T_{BHZ}^1$	BEF# High to High-Z Output		15		60	ns
$T_{OHZ}^1$	OE# High to High-Z Output		15		60	ns
$T_{OH}^1$	Output Hold from Address Change	0		0		ns

T11.5 349

1. This parameter is measured only for initial qualification and after a design or process change that could affect this parameter.



# 4 Mbit Flash + 1 Mbit or 256 Kbit SRAM ComboMemory

## SST31LF041 / SST31LF041A / SST31LF043 / SST31LF043A

Data Sheet

**TABLE 12: FLASH PROGRAM/ERASE CYCLE TIMING PARAMETERS ( $V_{DD} = 3.0-3.6V$ )**

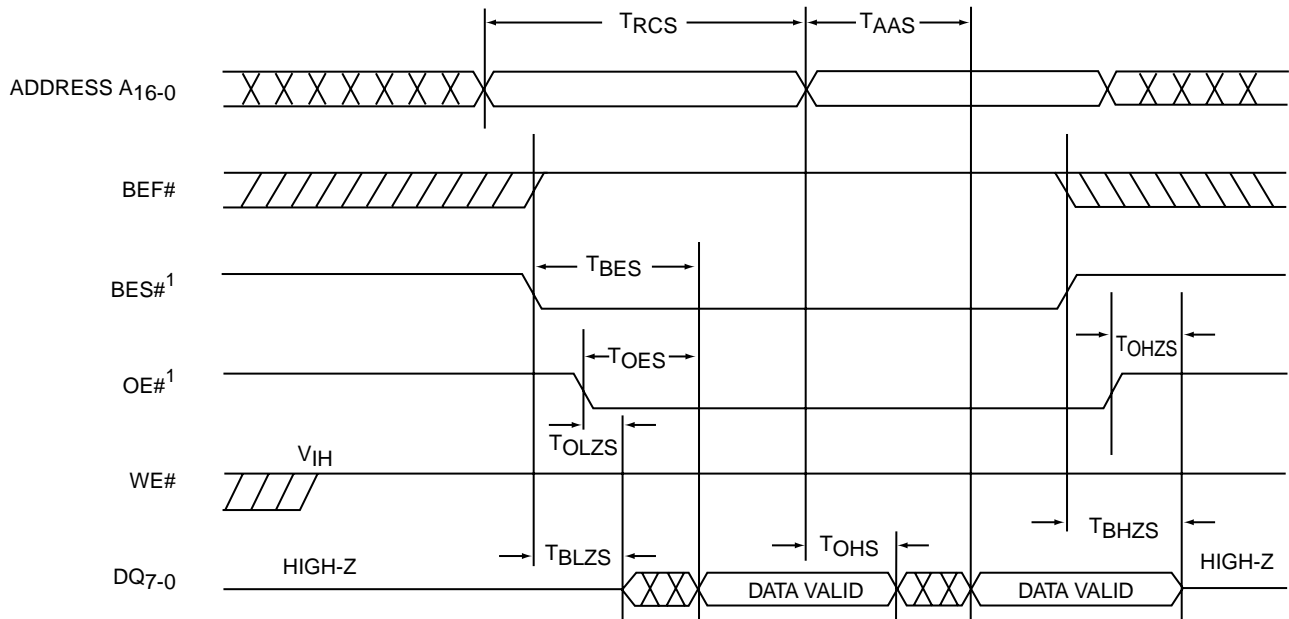
Symbol	Parameter	SST31LF041/043-70		SST31LF041A/ 043A-300		Units
		Min	Max	Min	Max	
$T_{BP}$	Byte-Program Time		20		20	$\mu s$
$T_{AS}$	Address Setup Time	0		0		ns
$T_{AH}$	Address Hold Time	30		50		ns
$T_{BS}$	WE# and BEF# Setup Time	0		0		ns
$T_{BH}$	WE# and BEF# Hold Time	0		0		ns
$T_{OES}$	OE# High Setup Time	0		0		ns
$T_{OEH}$	OE# High Hold Time	10		10		ns
$T_{BP}$	BEF# Pulse Width	40		100		ns
$T_{WP}$	WE# Pulse Width	40		100		ns
$T_{WPH}$	WE# Pulse Width High	30		50		ns
$T_{BPH}$	BEF# Pulse Width High	30		50		ns
$T_{DS}$	Data Setup Time	40		50		ns
$T_{DH}$	Data Hold Time	0		0		ns
$T_{IDA}$	Software ID Access and Exit Time		150		150	ns
$T_{SE}$	Sector-Erase		25		25	ms
$T_{SBE}$	Bank-Erase		100		100	ms
$T_{BS}$	Bank Enable Setup Time for Concurrent Operation	0		0		ns

T12.4 349



# 4 Mbit Flash + 1 Mbit or 256 Kbit SRAM ComboMemory SST31LF041 / SST31LF041A / SST31LF043 / SST31LF043A

Data Sheet

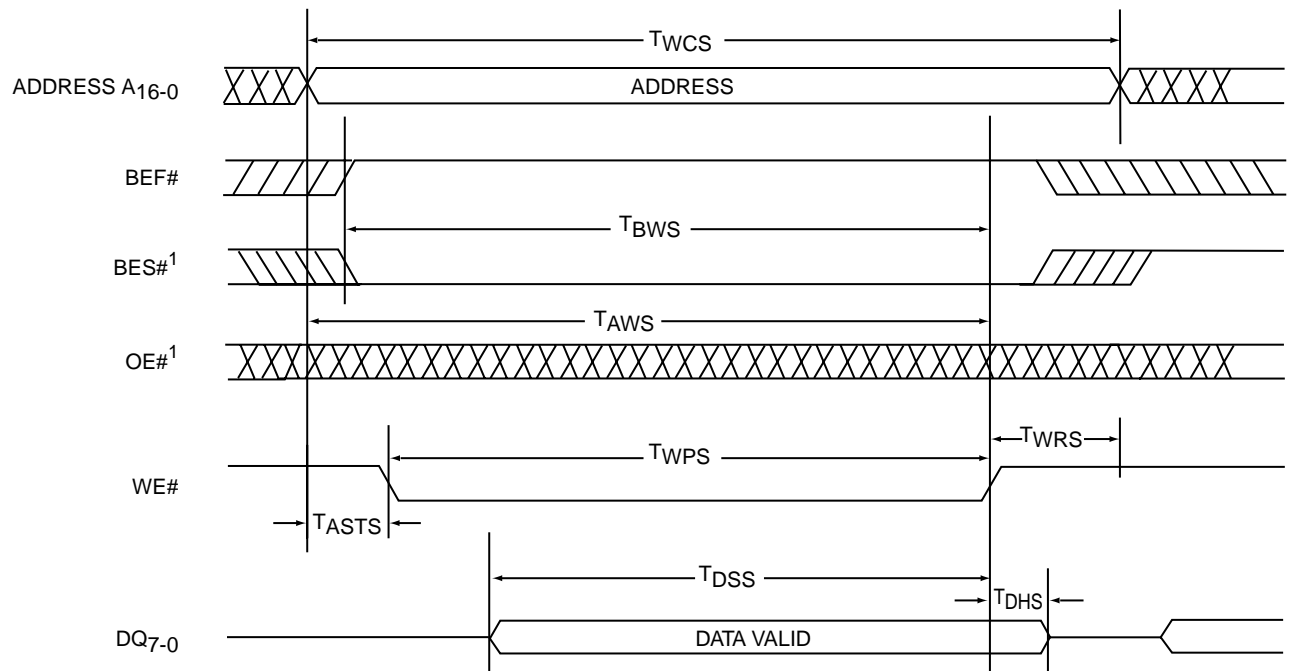


Note 1: For SST31LF041A/043A.

BES# and OE# share pin 32. During SRAM operation, pin 32 functions as BES#.

349 ILL F02.9

**FIGURE 3: SRAM READ CYCLE TIMING DIAGRAM**



Note 1: For SST31LF041A/043A.

BES# and OE# share pin 32. During SRAM operation, pin 32 functions as BES#.

349 ILL F03.10

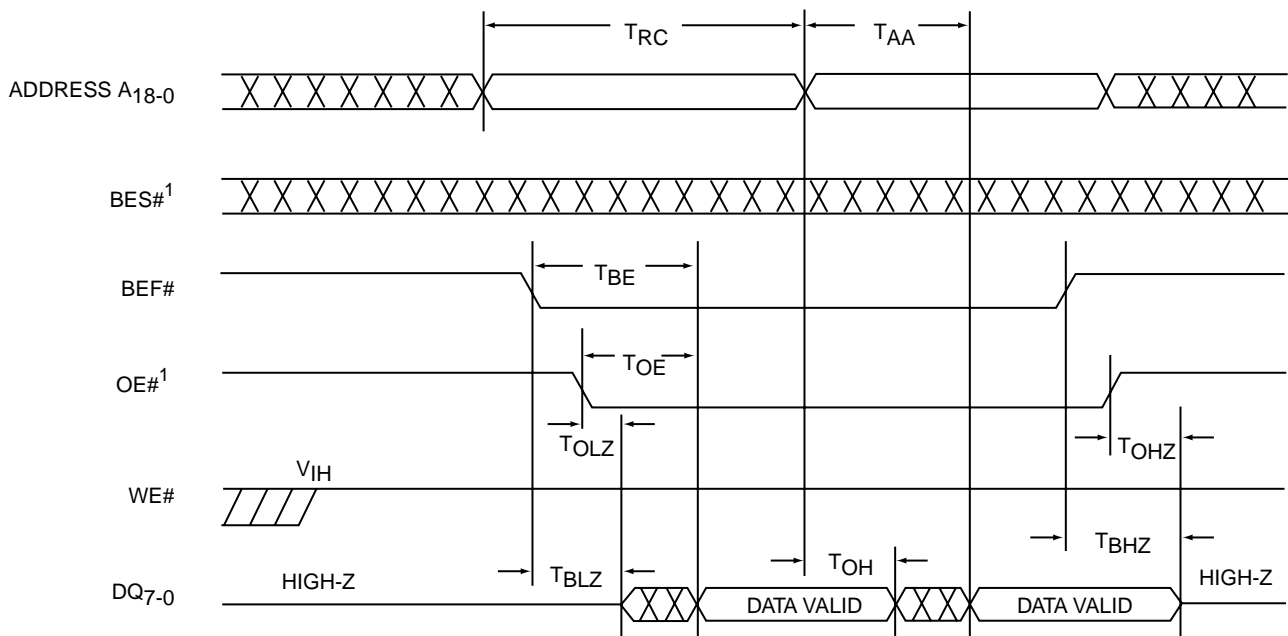
**FIGURE 4: SRAM WRITE CYCLE TIMING DIAGRAM**



# 4 Mbit Flash + 1 Mbit or 256 Kbit SRAM ComboMemory

## SST31LF041 / SST31LF041A / SST31LF043 / SST31LF043A

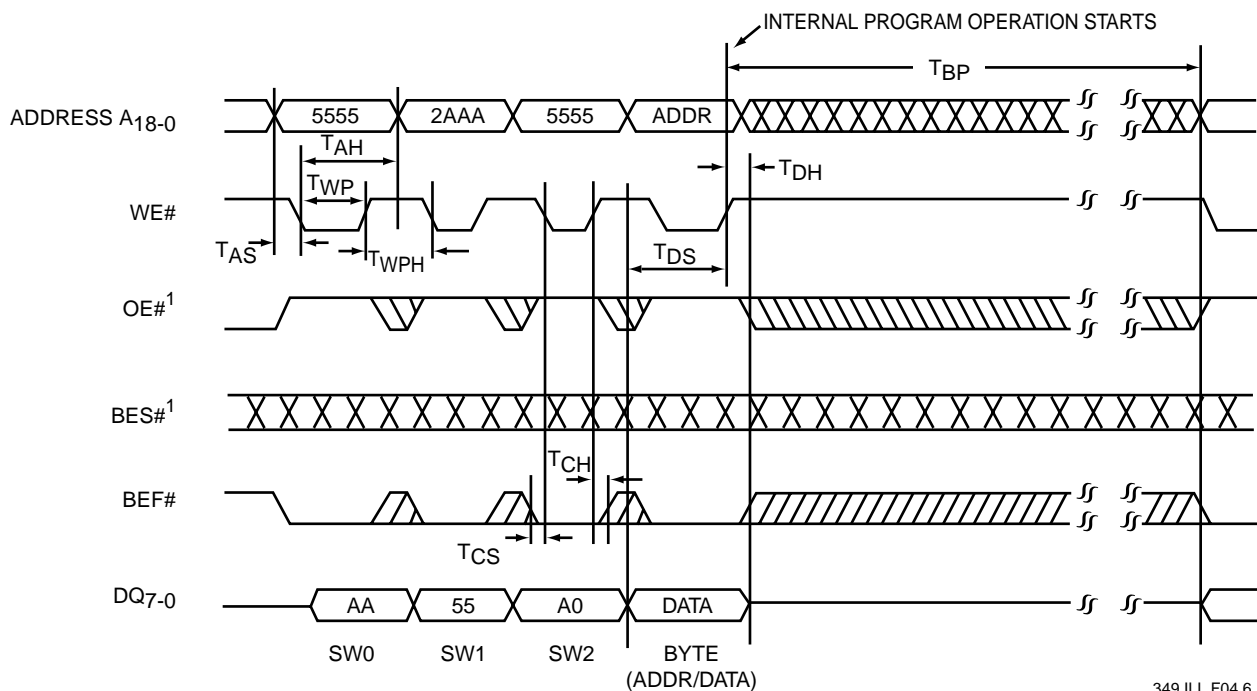
Data Sheet



349 ILL F18.5

Note 1. For SST31LF041A/043A, BES# and OE# share pin 32. During Flash operation, pin 32 functions as OE#.

**FIGURE 5: FLASH READ CYCLE TIMING DIAGRAM**



349 ILL F04.6

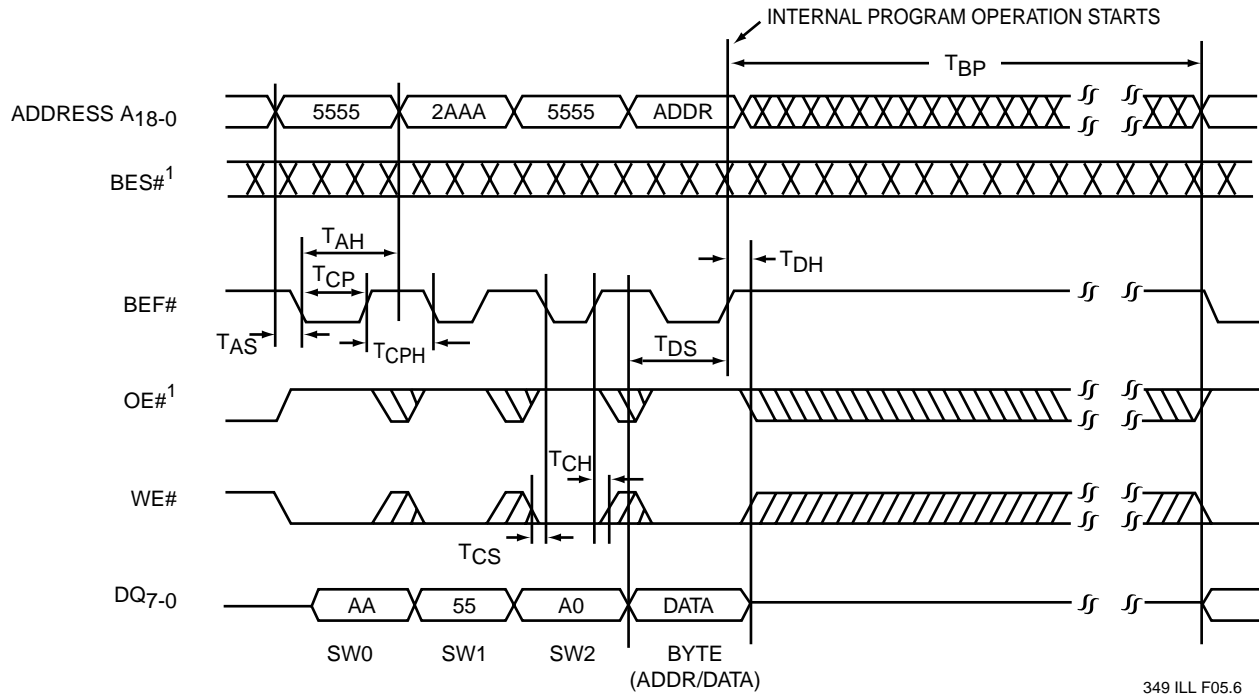
Note 1. For SST31LF041A/043A, BES# and OE# share pin 32. During Flash operation, pin 32 functions as OE#.

**FIGURE 6: FLASH WE# CONTROLLED PROGRAM CYCLE TIMING DIAGRAM**



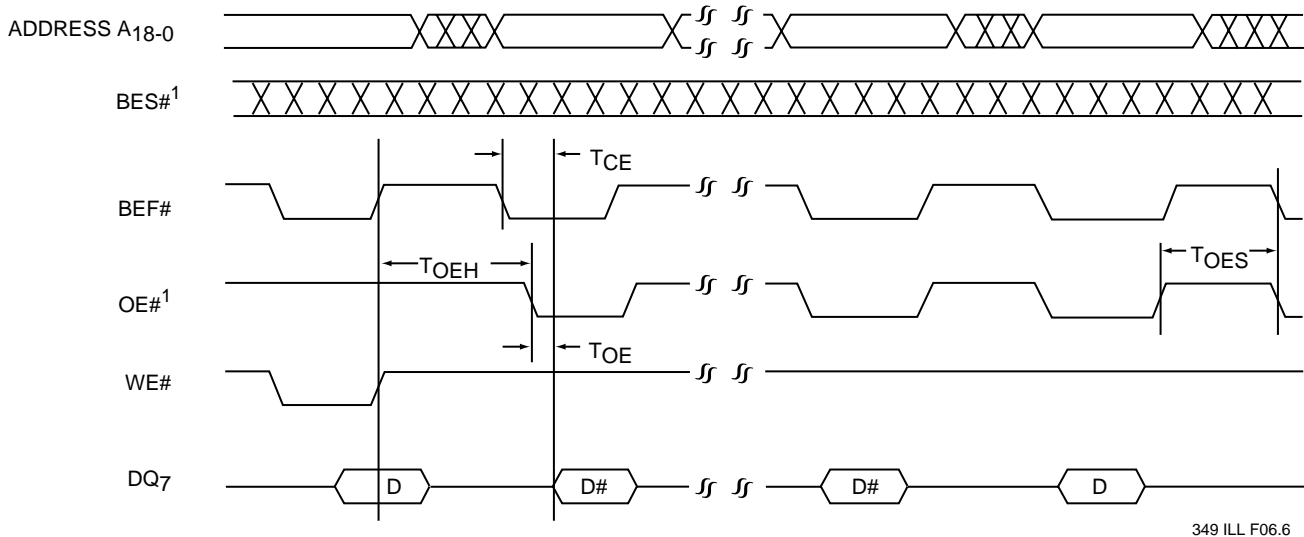
# 4 Mbit Flash + 1 Mbit or 256 Kbit SRAM ComboMemory SST31LF041 / SST31LF041A / SST31LF043 / SST31LF043A

Data Sheet



Note 1. For SST31LF041A/043A, BES# and OE# share pin 32. During Flash operation, pin 32 functions as OE#.

**FIGURE 7: BEF# CONTROLLED FLASH PROGRAM CYCLE TIMING DIAGRAM**



Note 1. For SST31LF041A/043A, BES# and OE# share pin 32. During Flash operation, pin 32 functions as OE#.

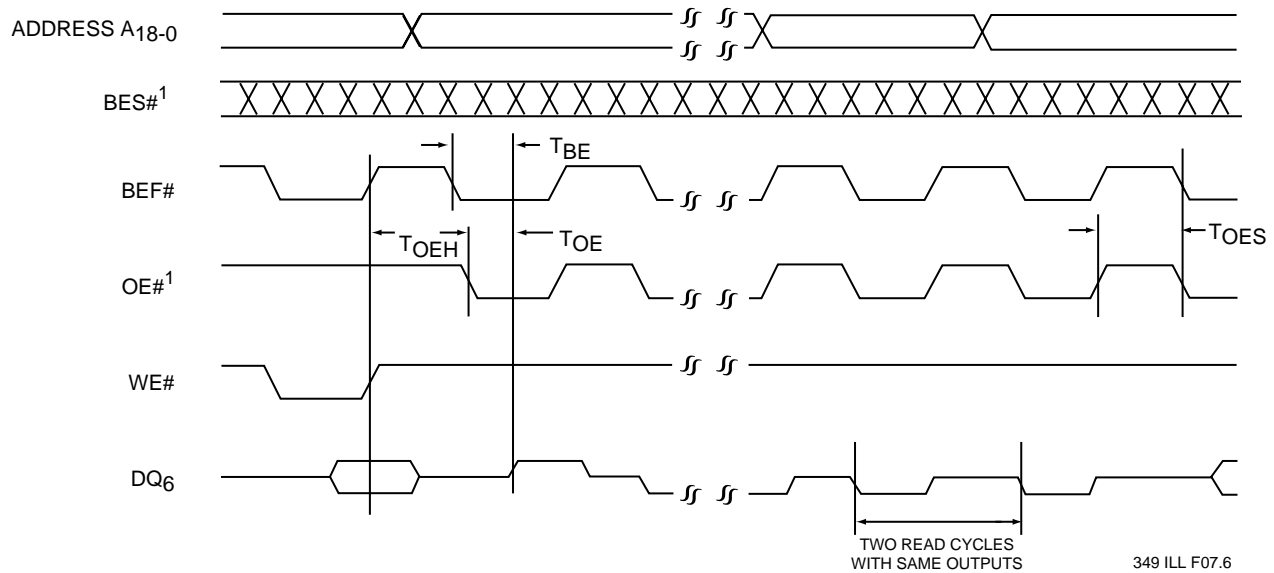
**FIGURE 8: FLASH DATA# POLLING TIMING DIAGRAM**



# 4 Mbit Flash + 1 Mbit or 256 Kbit SRAM ComboMemory

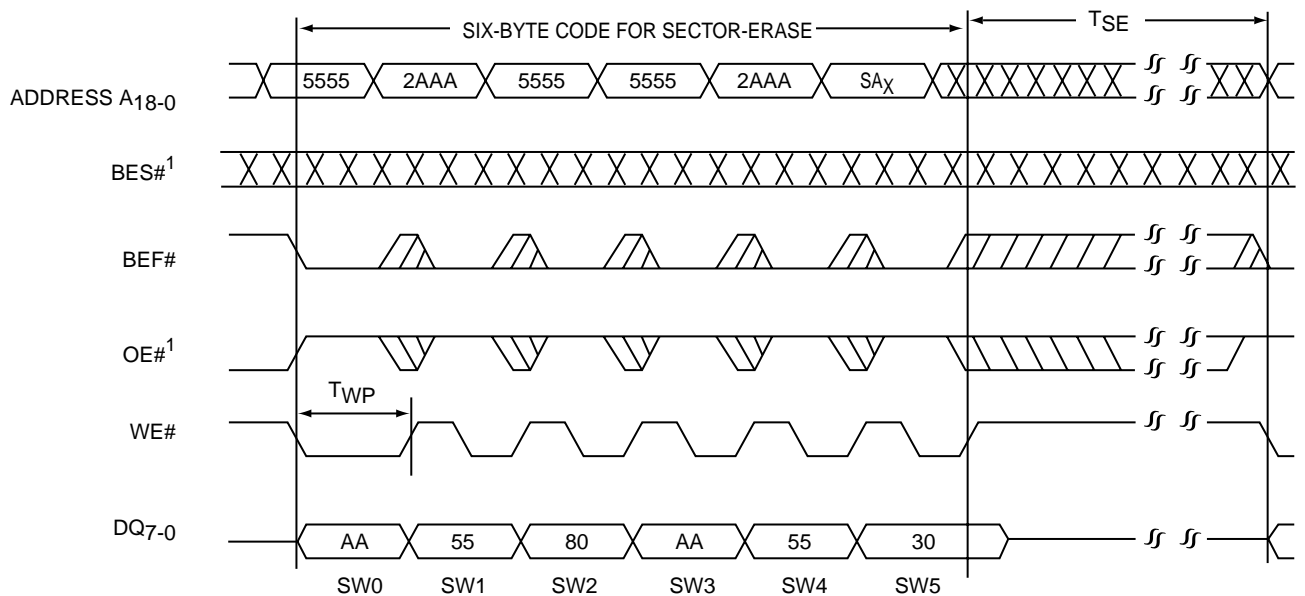
## SST31LF041 / SST31LF041A / SST31LF043 / SST31LF043A

Data Sheet



Note 1. For SST31LF041A/043A, BES# and OE# share pin 32. During Flash operation, pin 32 functions as OE#.

**FIGURE 9: FLASH TOGGLE BIT TIMING DIAGRAM**



Note: The device also supports BEF# controlled Sector-Erase operation. The WE# and BEF# signals are interchangeable as long as minimum timings are met. (See Table 12)  
SA<sub>x</sub> = Sector Address

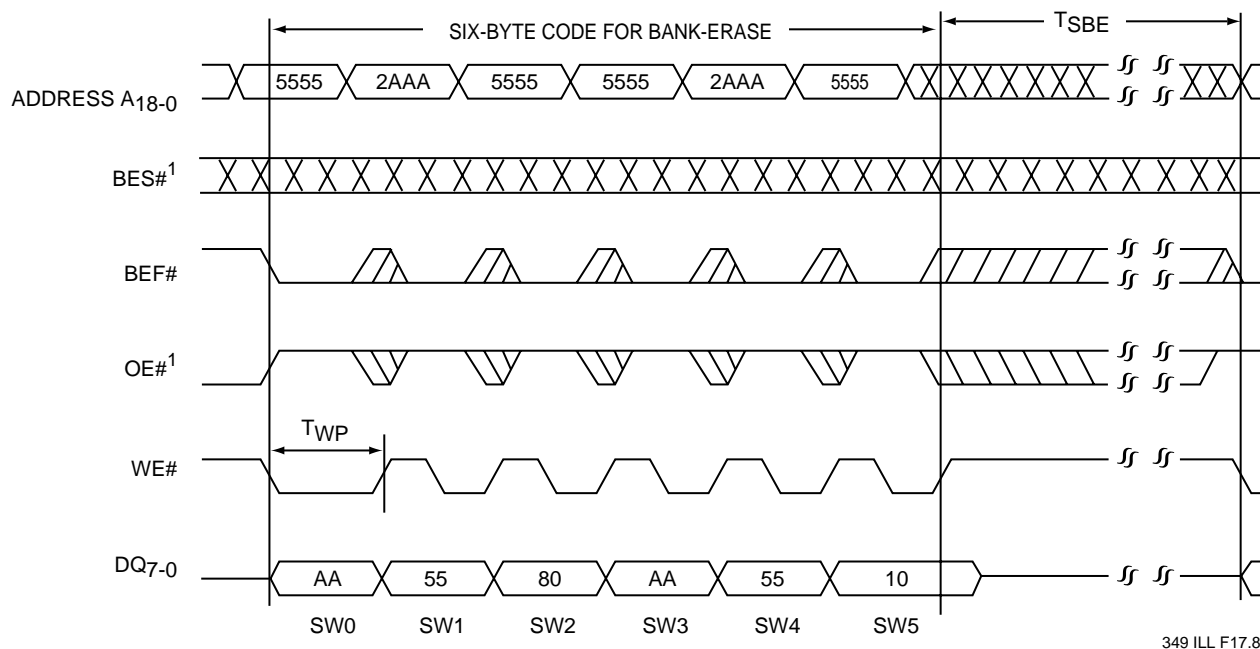
Note 1. For SST31LF041A/043A, BES# and OE# share pin 32. During Flash operation, pin 32 functions as OE#.

**FIGURE 10: WE# CONTROLLED FLASH SECTOR-ERASE TIMING DIAGRAM**



# 4 Mbit Flash + 1 Mbit or 256 Kbit SRAM ComboMemory SST31LF041 / SST31LF041A / SST31LF043 / SST31LF043A

Data Sheet

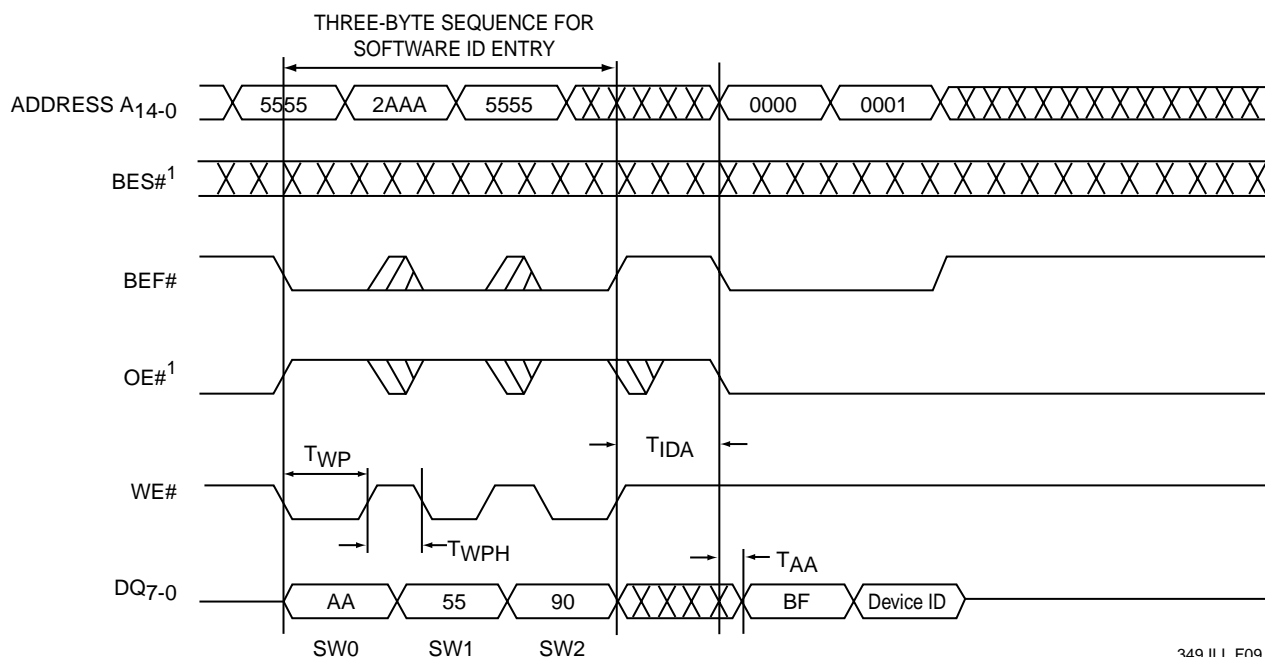


349 ILL F17.8

Note: The device also supports BEF# controlled Bank-Erase operation. The WE# and BEF# signals are interchangeable as long as minimum timings are met. (See Table 12)

Note 1. For SST31LF041A/043A, BES# and OE# share pin 32. During Flash operation, pin 32 functions as OE#.

**FIGURE 11: WE# CONTROLLED FLASH BANK-ERASE TIMING DIAGRAM**



349 ILL F09.7

Note 1. For SST31LF041A/043A, BES# and OE# share pin 32. During Flash operation, pin 32 functions as OE#.

Note: Device ID = 16H for SST31LF041A, 17H for SST31LF041, 65H for SST31LF043 and 66H for SST31LF043A.

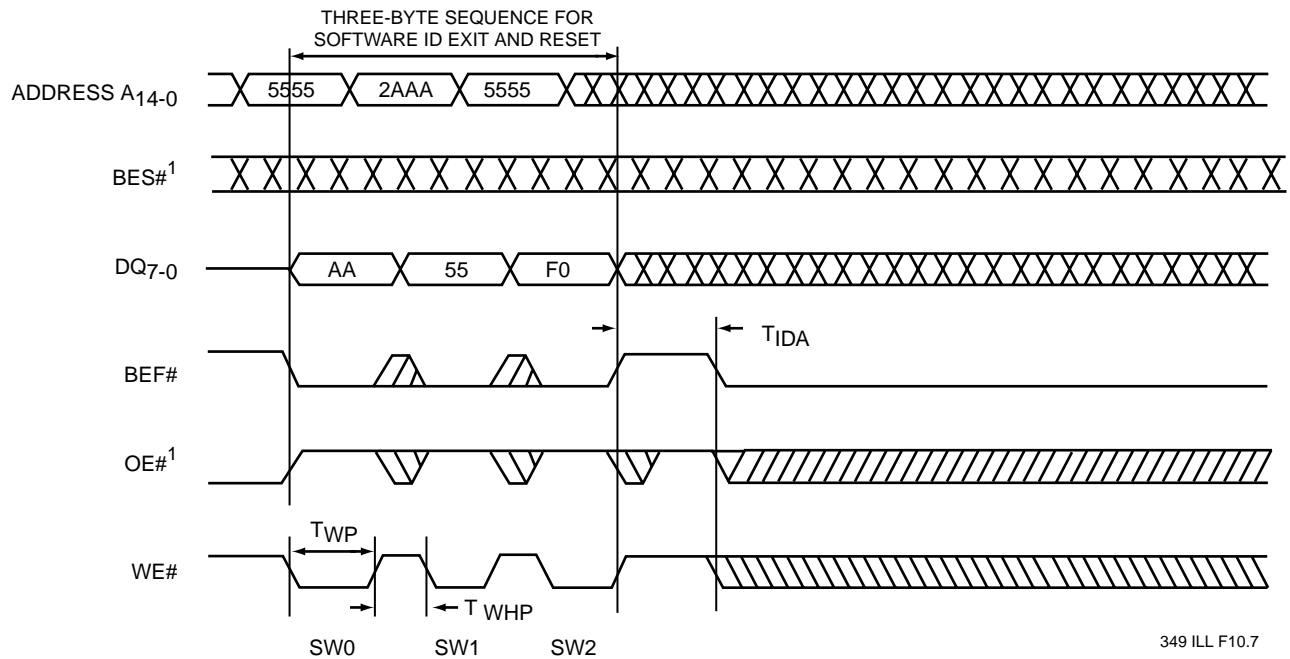
**FIGURE 12: FLASH SOFTWARE ID ENTRY AND READ**





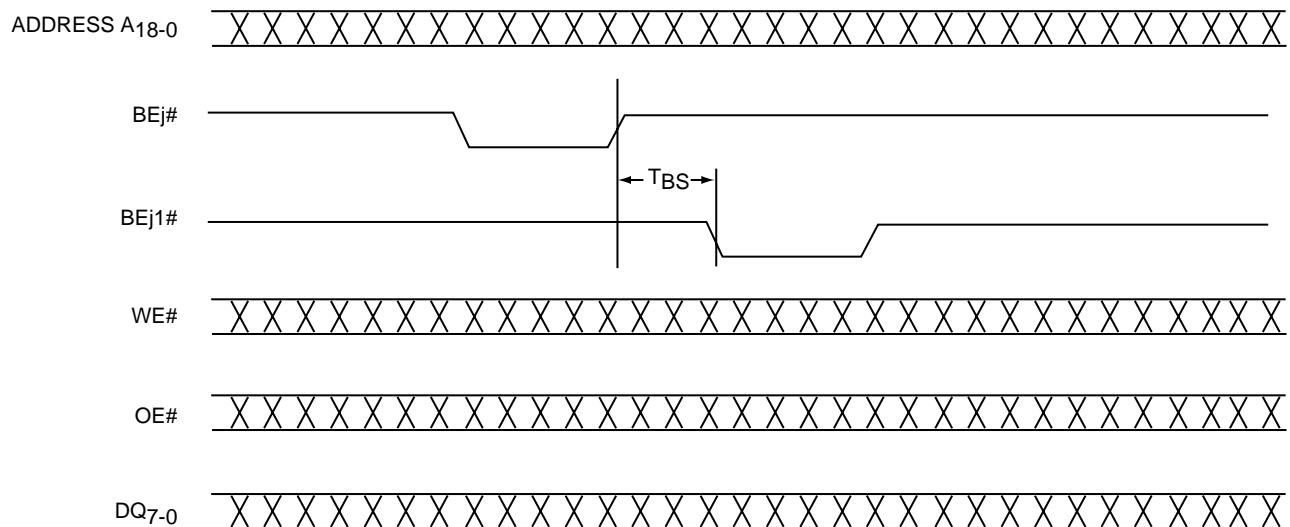
# 4 Mbit Flash + 1 Mbit or 256 Kbit SRAM ComboMemory SST31LF041 / SST31LF041A / SST31LF043 / SST31LF043A

Data Sheet



Note 1. For SST31LF041A/043A, BES# and OE# share pin 32. During Flash operation, pin 32 functions as OE#.

**FIGURE 13: FLASH SOFTWARE ID EXIT AND RESET**



Note: j = F or S  
j1 = S or F

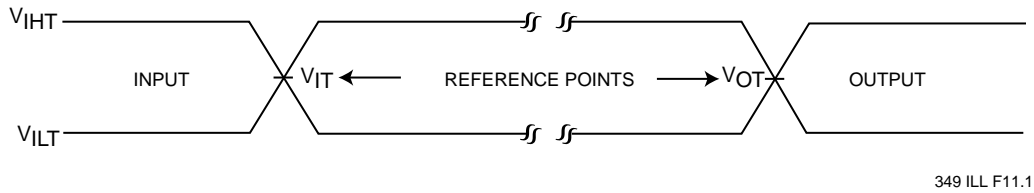
349 ILL F22.0

**FIGURE 14: TIMING DIAGRAM FOR ALTERNATING BETWEEN FLASH/SRAM AND SRAM/FLASH**



# 4 Mbit Flash + 1 Mbit or 256 Kbit SRAM ComboMemory SST31LF041 / SST31LF041A / SST31LF043 / SST31LF043A

Data Sheet



AC test inputs are driven at  $V_{IHT}$  ( $0.9 V_{DD}$ ) for a logic "1" and  $V_{ILT}$  ( $0.1 V_{DD}$ ) for a logic "0". Measurement reference points for inputs and outputs are  $V_{IT}$  ( $0.5 V_{DD}$ ) and  $V_{OT}$  ( $0.5 V_{DD}$ ). Input rise and fall times (10%  $\leftrightarrow$  90%) are  $<5$  ns.

**Note:**  $V_{IT}$  -  $V_{INPUT}$  Test  
 $V_{OT}$  -  $V_{OUTPUT}$  Test  
 $V_{IHT}$  -  $V_{INPUT}$  HIGH Test  
 $V_{ILT}$  -  $V_{INPUT}$  LOW Test

FIGURE 15: AC INPUT/OUTPUT REFERENCE WAVEFORMS

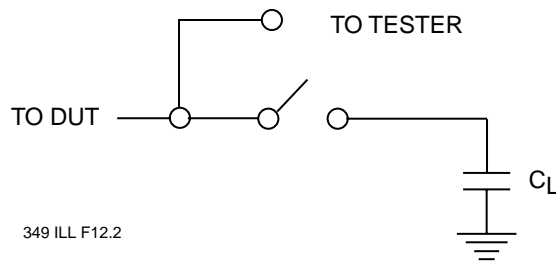


FIGURE 16: A TEST LOAD EXAMPLE



# 4 Mbit Flash + 1 Mbit or 256 Kbit SRAM ComboMemory SST31LF041 / SST31LF041A / SST31LF043 / SST31LF043A

Data Sheet

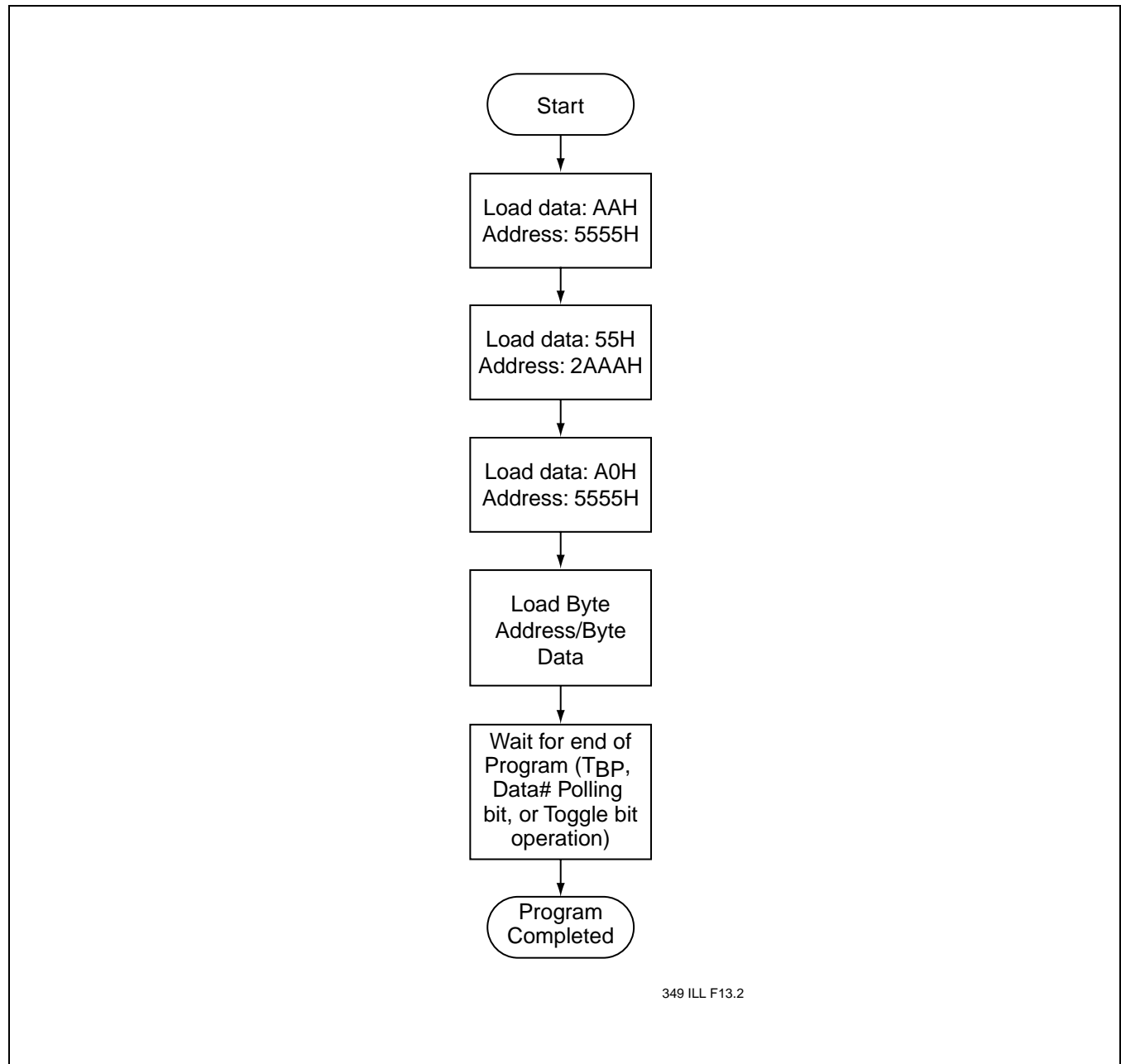
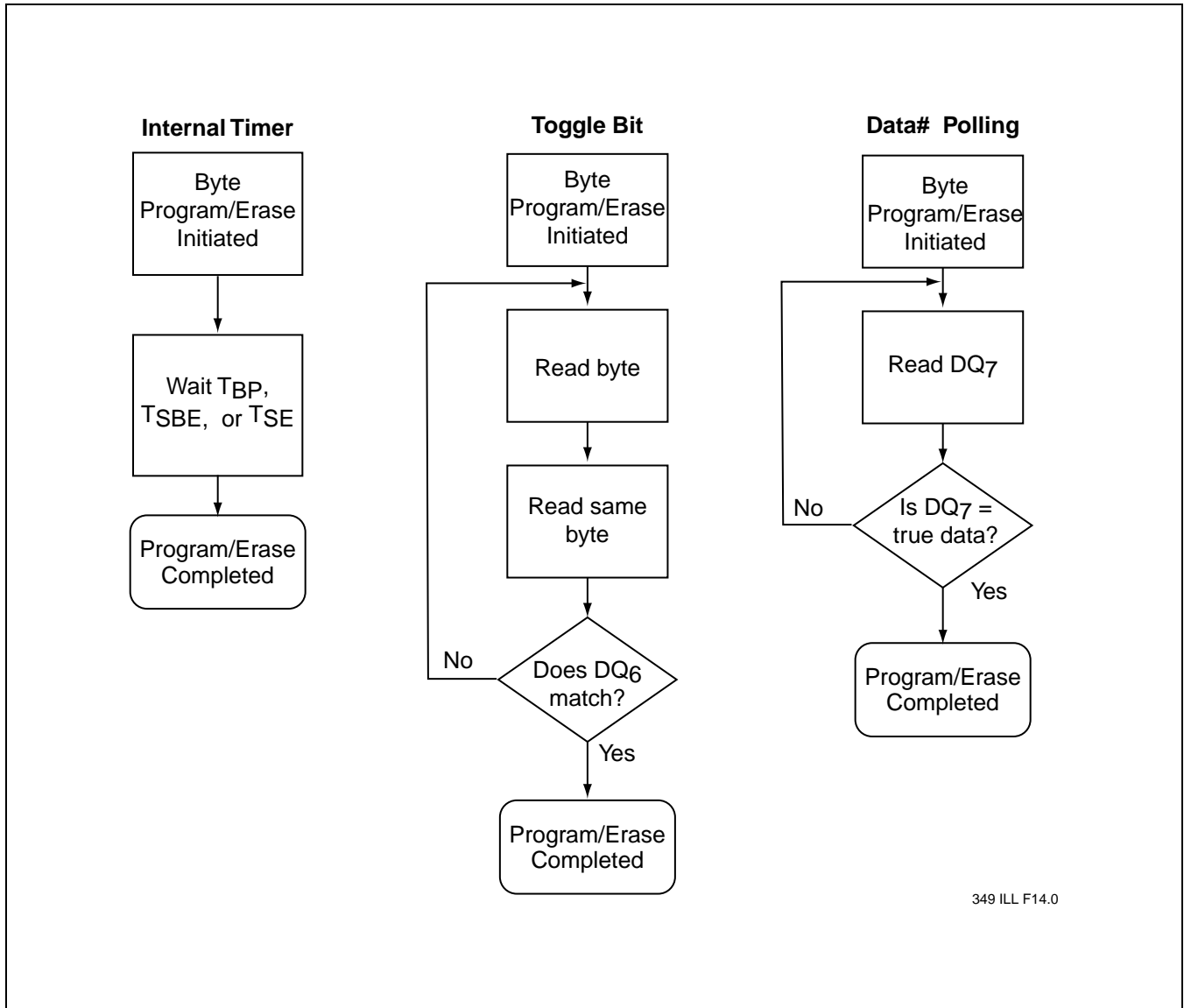


FIGURE 17: BYTE-PROGRAM ALGORITHM



349 ILL F14.0

FIGURE 18: WAIT OPTIONS



# 4 Mbit Flash + 1 Mbit or 256 Kbit SRAM ComboMemory SST31LF041 / SST31LF041A / SST31LF043 / SST31LF043A

Data Sheet

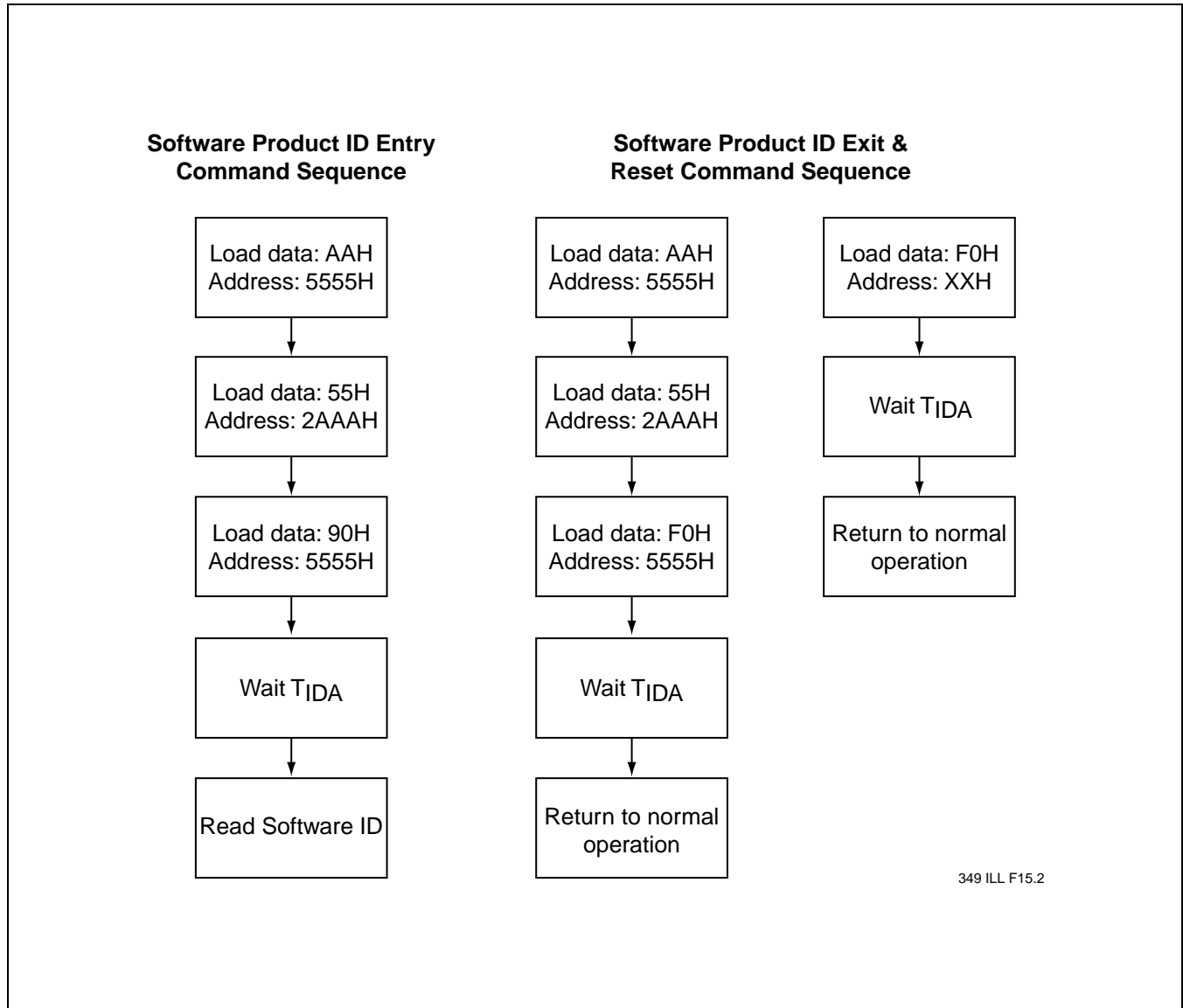
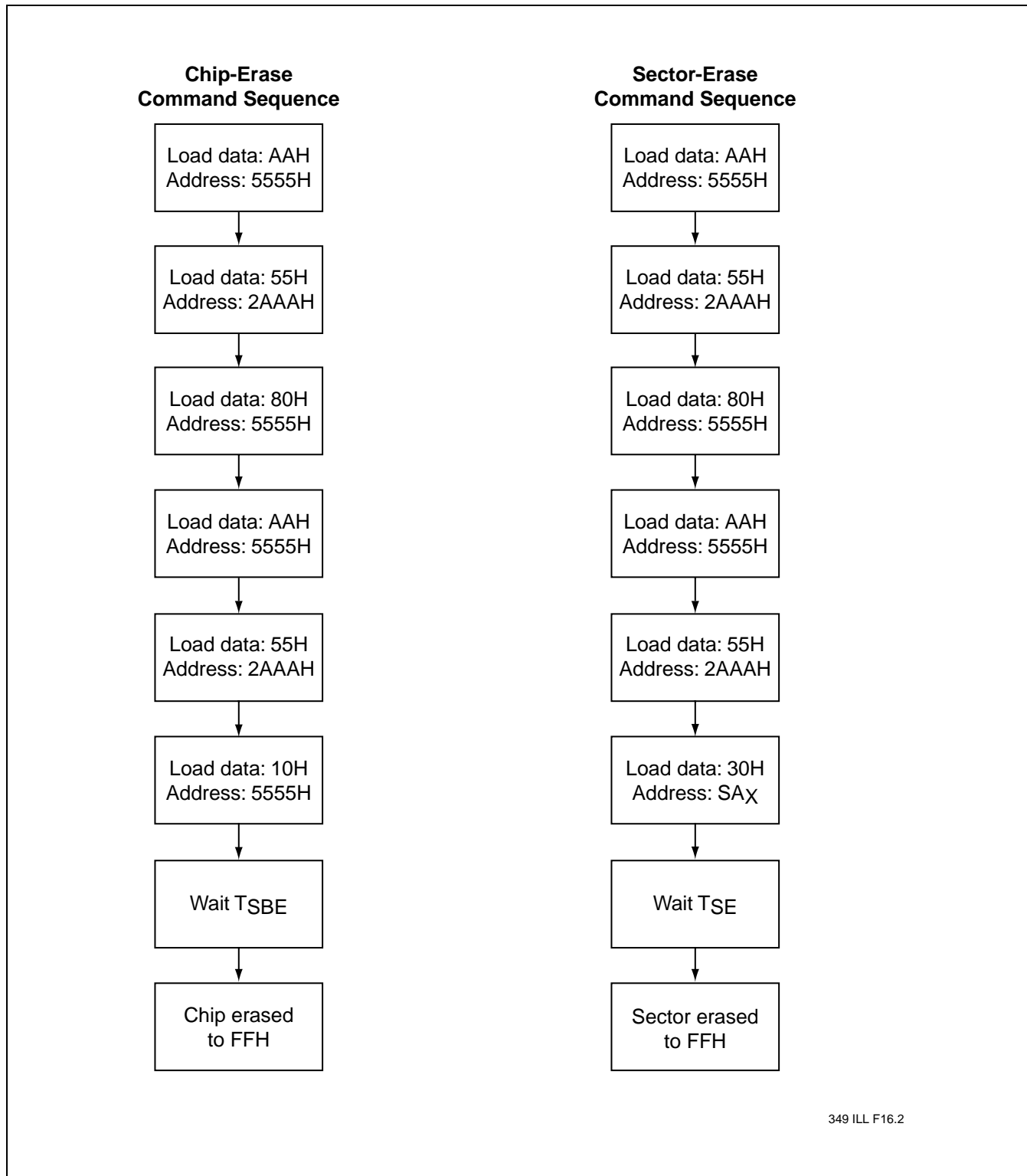


FIGURE 19: SOFTWARE PRODUCT COMMAND FLOWCHARTS



349 ILL F16.2

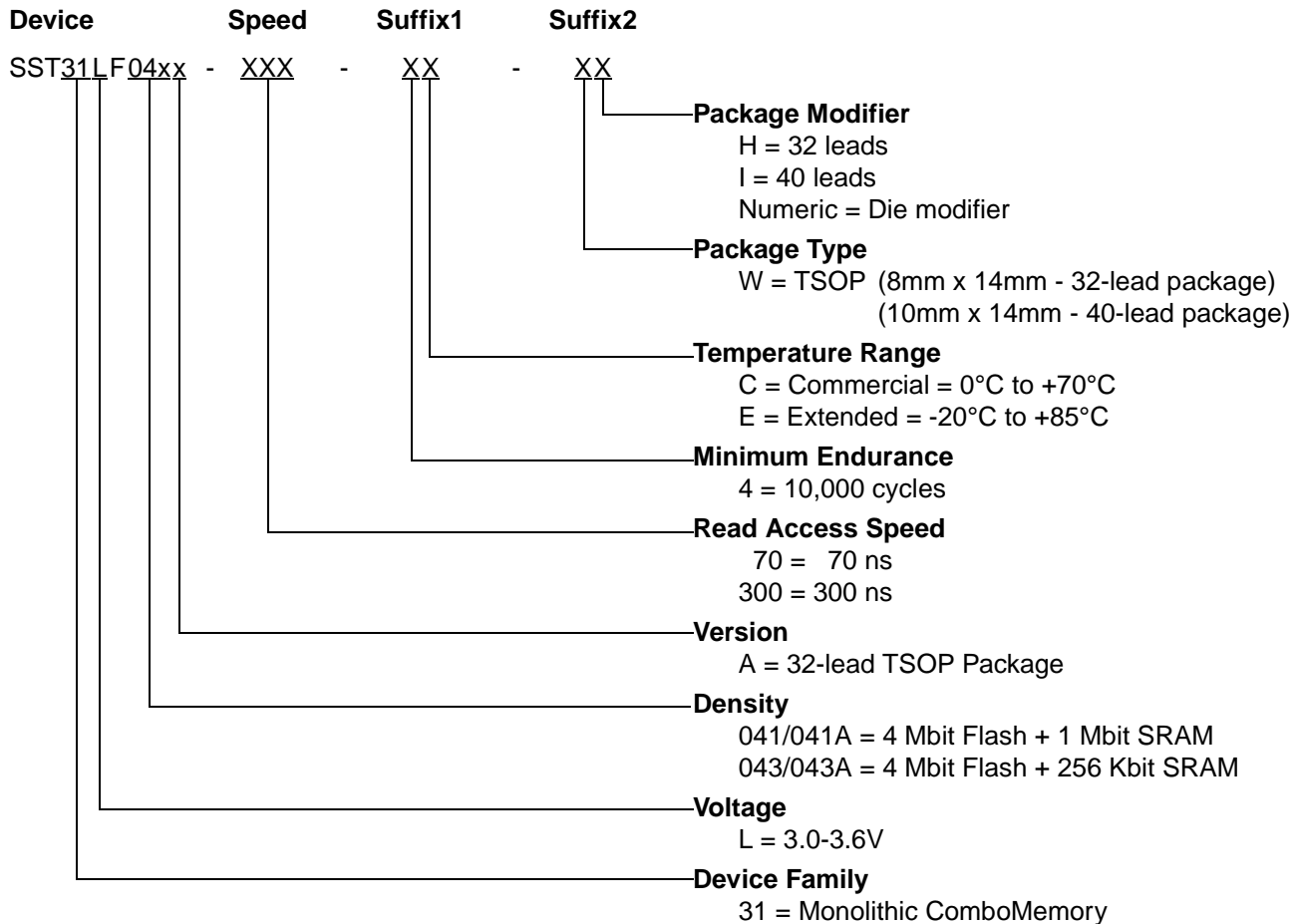
FIGURE 20: ERASE COMMAND SEQUENCE



# 4 Mbit Flash + 1 Mbit or 256 Kbit SRAM ComboMemory

## SST31LF041 / SST31LF041A / SST31LF043 / SST31LF043A

Data Sheet



### SST31LF041 Valid combinations

SST31LF041-70-4C-WI  
SST31LF041-70-4E-WI

### SST31LF041A Valid combinations

SST31LF041A-300-4C-WH  
SST31LF041A-300-4E-WH

### SST31LF043 Valid combinations

SST31LF043-70-4C-WI  
SST31LF043-70-4E-WI

### SST31LF043A Valid combinations

SST31LF043A-300-4C-WH  
SST31LF043A-300-4E-WH

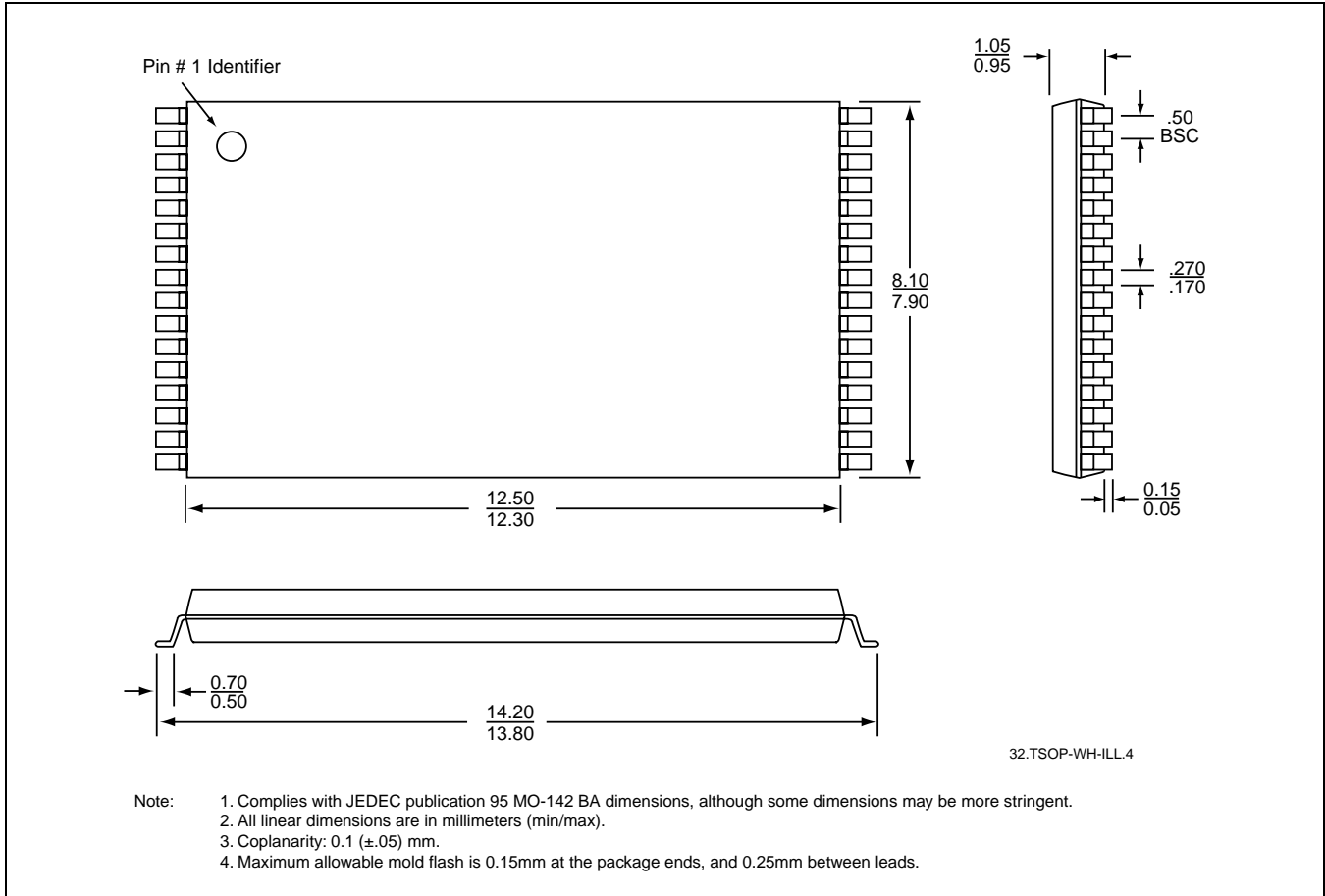
**Example:** Valid combinations are those products in mass production or will be in mass production. Consult your SST sales representative to confirm availability of valid combinations and to determine availability of new combinations.



# 4 Mbit Flash + 1 Mbit or 256 Kbit SRAM ComboMemory SST31LF041 / SST31LF041A / SST31LF043 / SST31LF043A

Data Sheet

## PACKAGING DIAGRAMS



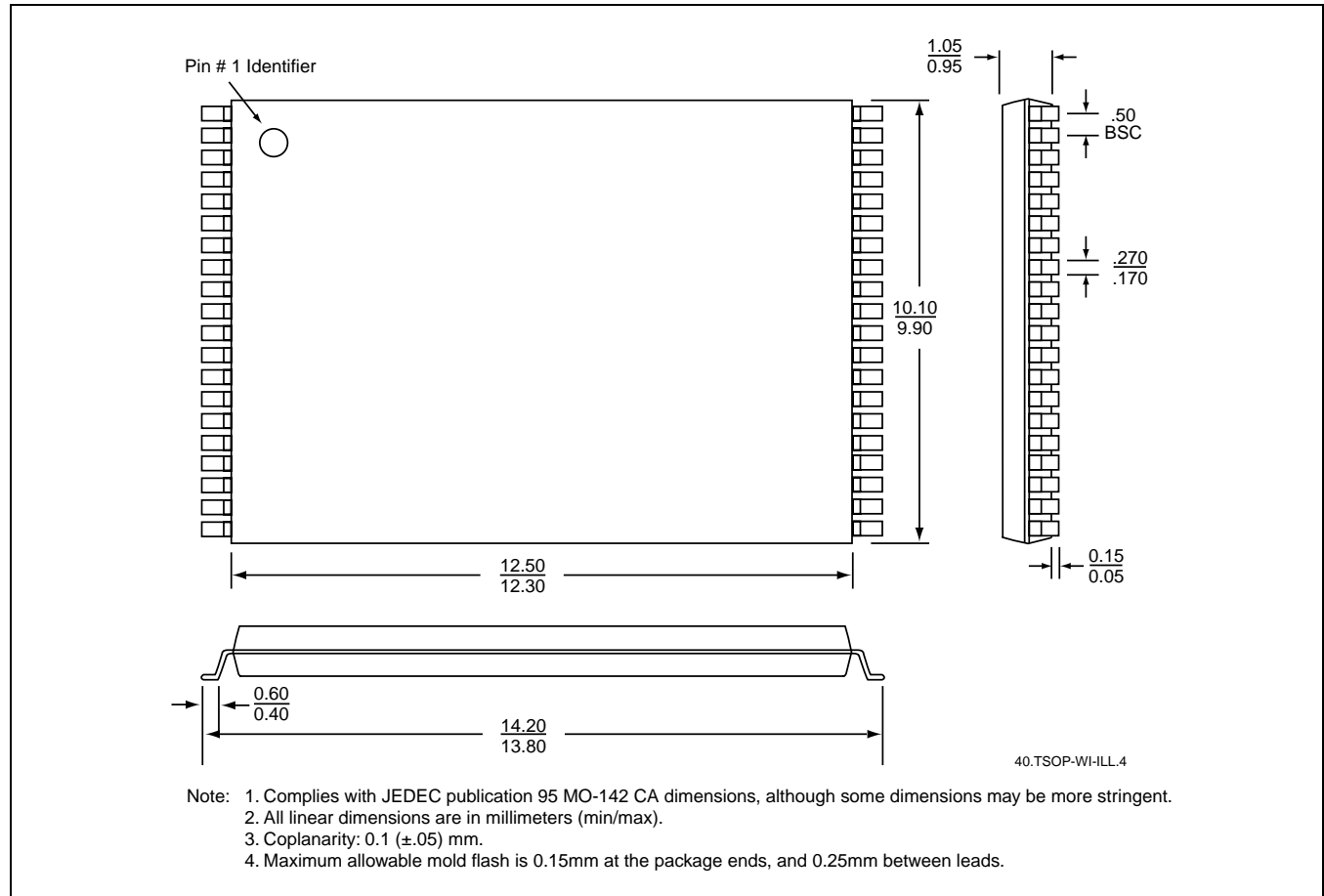
**32-LEAD THIN SMALL OUTLINE PACKAGE (TSOP) 8MM X 14MM**  
**SST PACKAGE CODE: WH**





# 4 Mbit Flash + 1 Mbit or 256 Kbit SRAM ComboMemory SST31LF041 / SST31LF041A / SST31LF043 / SST31LF043A

Data Sheet



**40-LEAD THIN SMALL OUTLINE PACKAGE (TSOP) 10MM X 14MM**  
**SST PACKAGE CODE: WI**



**4 Mbit Flash + 1 Mbit or 256 Kbit SRAM ComboMemory**  
**SST31LF041 / SST31LF041A / SST31LF043 / SST31LF043A**

---

Data Sheet

---

Silicon Storage Technology, Inc. • 1171 Sonora Court • Sunnyvale, CA 94086 • Telephone 408-735-9110 • Fax 408-735-9036  
[www.SuperFlash.com](http://www.SuperFlash.com) or [www.ssti.com](http://www.ssti.com)

---