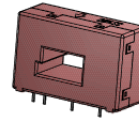


K-No.: 25150

125 A Current Sensor

 For the electronic measurement of currents:
 DC, AC, pulsed, mixed ..., with a galvanic isolation
 between the primary circuit (high power)
 and the secondary circuit (electronic circuit)


Date: 17.04.2013

Customer: Standard type

Customers Part no.:

Page 1 of 2

Description

- Closed loop (compensation) Current Sensor with magnetic field probe
- Printed circuit board mounting
- Casing and materials UL-listed

Characteristics

- Excellent accuracy
- Very low offset current
- Very low temperature dependency and offset current drift
- Very low hysteresis of offset current
- Short response time
- Wide frequency bandwidth
- Compact design
- Reduced offset ripple

Applications

Mainly used for stationary operation in industrial applications:

- AC variable speed drives and servo motor drives
- Static converters for DC motor drives
- Battery supplied applications
- Switched Mode Power Supplies (SMPS)
- Power Supplies for welding applications
- Uninterruptible Power Supplies (UPS)

Electrical data – Ratings

| | | | |
|----------|--------------------------------------|-----------|----------|
| I_{PN} | Primary nominal r.m.s. current | 125 | A |
| R_M | Measuring resistance $V_C = \pm 12V$ | 5 ... 250 | Ω |
| | $V_C = \pm 15V$ | 18...400 | Ω |
| I_{SN} | Secondary nominal r.m.s. current | 125 | mA |
| K_N | Turns ratio | 1: 1000 | |

Accuracy – Dynamic performance data

| | | min. | typ. | max. | Unit |
|----------------------------|--|-----------|------|------|---------|
| $I_{P,max}$ | Max. measuring range | | | | |
| | @ $V_C = \pm 12V, R_M = 14 \Omega$ ($t_{max} = 10sec$) | ± 201 | | | A |
| | @ $V_C = \pm 15V, R_M = 25 \Omega$ ($t_{max} = 10sec$) | ± 214 | | | A |
| X | Accuracy @ $I_{PN}, T_A = 25^\circ C$ | | 0.1 | 0.5 | % |
| ϵ_L | Linearity | | | 0.1 | % |
| I_0 | Offset current @ $I_P = 0, T_A = 25^\circ C$ | | 0.03 | 0.1 | mA |
| t_r | Response time | | 1 | | μs |
| Δt ($I_{P,max}$) | Delay time at $di/dt = 100 A/\mu s$ | | 0.5 | | μs |
| f | Frequency bandwidth | DC...100 | | | kHz |

General data

| | | min. | typ. | max. | Unit |
|-------------|--|------------|-----------------|-------------|------------|
| T_A | Ambient operating temperature | -40 | | +85 | $^\circ C$ |
| T_S | Ambient storage temperature | -40 | | +90 | $^\circ C$ |
| m | Mass | | 30 | | g |
| V_C | Supply voltage | ± 11.4 | $\pm 12/\pm 15$ | ± 15.75 | V |
| I_C | Current consumption | | 18 | | mA |
| | Constructed and manufactured and tested in accordance with EN 61800-5-1 (Pin 1- 4 to inner hole) Reinforced insulation, Insulation material group 1, Pollution degree 2 | | | | |
| S_{clear} | Clearance (component without solder pad) | 12 | | | mm |
| S_{creep} | Creepage (component without solder pad) | 12 | | | mm |
| V_{sys} | System voltage overvoltage category 3 | RMS | | 600 | V |
| V_{work} | Working voltage (table 7 acc. to EN61800-5-1) | | | | |
| | Over voltage category 2 | RMS | | 1000 | V |
| U_{PD} | Rated discharge voltage | peak value | | 1225 | V |
| | Max. potential difference acc. to UL 508 | RMS | | 600 | V_{AC} |

Maximal continuous and peak currents at defined temperatures
Supply voltage $\pm 12V$:

| T_A | 85 $^\circ C$ | 85 $^\circ C$ | 70 $^\circ C$ | 55 $^\circ C$ |
|-------------|---------------|---------------|---------------|---------------|
| I_P | 125 A | 100 A | 130 A | 150 A |
| $I_{P,max}$ | 205 A | 224 A | 255 A | 262 A |
| R_M | 14 Ω | 10 Ω | 5 Ω | 5 Ω |

Supply voltage $\pm 15V$:

| T_A | 85 $^\circ C$ | 85 $^\circ C$ | 70 $^\circ C$ | 55 $^\circ C$ |
|-------------|---------------|---------------|---------------|---------------|
| I_P | 125 A | 80 A | 100 A | 125 A |
| $I_{P,max}$ | 176 A | 218 A | 223 A | 255 A |
| R_M | 39 Ω | 25 Ω | 25 Ω | 18 Ω |

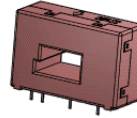
| Date | Name | Issue | Amendment |
|----------|------|-------|--|
| 17.04.13 | KRe. | 81 | Mechanical outline: marking with UL-sign. and max. potential difference added. CN-653 |
| 20.10.10 | Le | 81 | Mechanical outline – Error correction – distance of fastening bores (41,4 to 40,64) lapidary change. |

| | | | |
|-----------------------|-------------------------|-------------------------|------------------------|
| Hrsg.: KB-E editor | Bearb.: Le. designer | KB-PM IA: KRe. check | freig.: HS released |
|-----------------------|-------------------------|-------------------------|------------------------|

K-No.: 25150

125 A Current Sensor

For the electronic measurement of currents:
DC, AC, pulsed, mixed ..., with a galvanic isolation
between the primary circuit (high power)
and the secondary circuit (electronic circuit)



Date: 17.04.2013

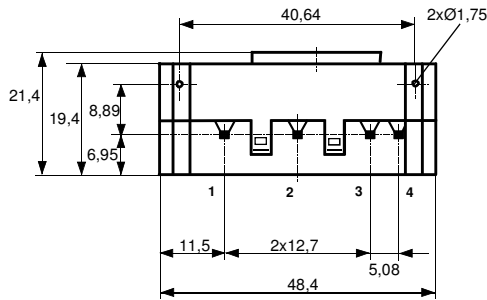
Customer: Standard type

Customers Part no.:

Page 2 of 2

Mechanical outline (mm):

General tolerances DIN ISO 2768-c



Tolerances grid distance
±0,2mm

DC = Date Code
F = Factory

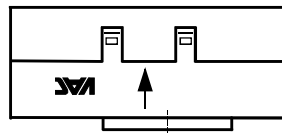
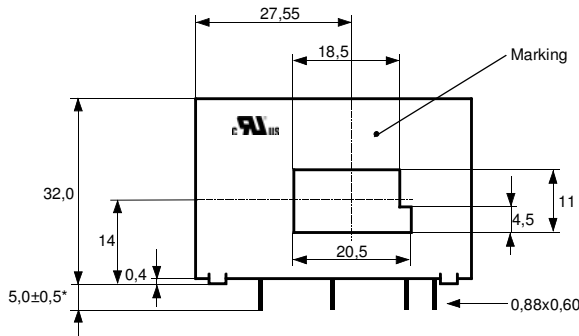
* = preliminary

Connections:

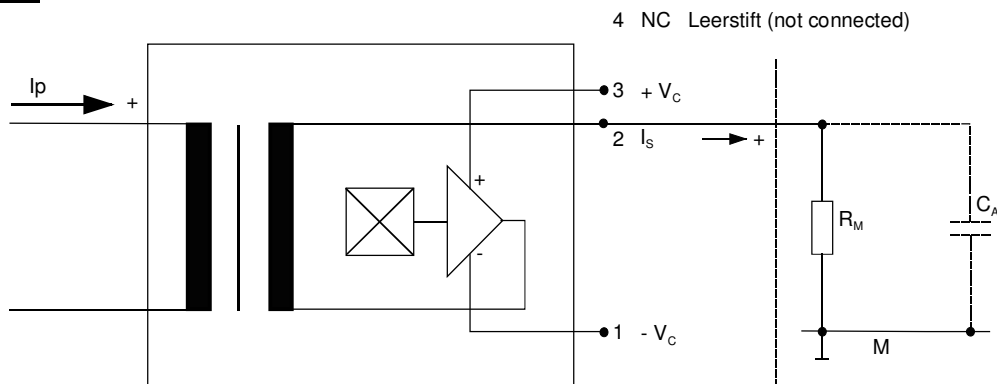
1...4: 0,6 x 0,88 mm

Marking:

UL-sign
4646X200
F DC



Schematic diagram



Temperature of the primary conductor should not exceed 110°C
Additional indications are obtainable on request.
This specification is no declaration of warranty acc. BGB §443 dar.

Hrsg.: KB-E
editor

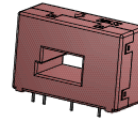
Bearb: Le.
designer

KB-PM IA: KRe.
check

freig.: HS
released

K-No.: 25150

125 A Current Sensor

 For electronic current measurement:
 DC, AC, pulsed, mixed ..., with a galvanic
 isolation between primary circuit
 (high power) and secondary circuit

Date: 17.04.2013

Customer:
Customers Part No.:
Page 1 **of** 3

Electrical Data (investigate by a type checking)

| | | min. | typ. | max. | Unit |
|-------------------------|---|------|-------|----------|----------|
| V_{Ctot} | Maximum supply voltage (without function) ± 15.75 to ± 18 V: for 1s per hour | | | ± 18 | V |
| R_S | Secondary coil resistance @ $T_A=85^\circ\text{C}$ | | | 41 | Ω |
| X_{Ti} | Temperature drift of X @ $T_A = -40 \dots +85^\circ\text{C}$ | | | 0.1 | % |
| I_{0ges} | Offset current (including I_0, I_{0t}, I_{0T}) | | | 0.14 | mA |
| I_{0t} | Long term drift Offset current I_0 | | 0.05 | | mA |
| I_{0T} | Offset current temperature drift I_0 @ $T_A = -40 \dots +85^\circ\text{C}$ | | 0.05 | | mA |
| I_{0H} | Hysteresis current @ $I_P=0$ (caused by primary current $10 \times I_{PN}$) | | 0.05 | 0.1 | mA |
| $\Delta I_0/\Delta V_C$ | Supply voltage rejection ratio | | | 0.01 | mA/V |
| i_{loss} | Offset ripple (with 1 MHz- filter first order) | | | 0.1 | mA |
| i_{loss} | Offset ripple (with 100 kHz- filter first order) | | 0.015 | 0.04 | mA |
| i_{loss} | Offset ripple (with 20 kHz- filter first order) | | 0.007 | 0.01 | mA |
| C_K | Maximum possible coupling capacity (primary – secondary) | | 7 | | pF |

Inspection (Measurement after temperature balance of the samples at room temperature)

| | | | | | |
|----------------|------------|---------|---|---------------|--------|
| $K_N(N_1/N_2)$ | (V) | M3011/6 | Transformation ratio ($I_P=100\text{A}$, 40-80 Hz) | 1: 995...1005 | |
| I_P | (V) | M3011/4 | Primary current | 100 | A |
| I_0 | (V) | M3226 | Offset current | < 0.1 | mA |
| V_d | (V) | M3014: | Test voltage, rms, 1 s pin 1 – 3 vs. hole | 1.8 | kV |
| V_e | (AQL 1/S4) | | Partial discharge voltage acc.M3024 (RMS) with V_{vor} (RMS) | 1300 1625 | V V |

Type Testing (Pin 1 - 3 to hole)

| | | | | | |
|-------|--|--|--|--------------|--------|
| V_W | | | HV transient test according to M3064 (1,2 μs / 50 μs -wave form) | 8 | kV |
| V_d | | | Testing voltage to M3014 | (5 s) 3.6 | kV |
| V_e | | | Partial discharge voltage acc.M3024 (RMS) with V_{vor} (RMS) | 1300 1625 | V V |

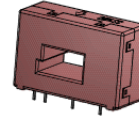
| Datum | Name | Index | Änderung |
|----------|------|-------|---|
| 17.04.13 | KRe. | 81 | Applicable documents: further standards added. CN-653 |
| 20.10.10 | Le | 81 | Date updated. |

| | | | | | |
|-----------------------|-----------------------|--|---------------------|--|------------------------|
| Hrsg.: KB-E editor | Bearb: Le designer | | KB-PM: KRe check | | freig.: HS released |
|-----------------------|-----------------------|--|---------------------|--|------------------------|

K-No.: 25150

125 A Current Sensor

For electronic current measurement:
DC, AC, pulsed, mixed ..., with a galvanic
isolation between primary circuit
(high power) and secondary circuit



Date: 17.04.2013

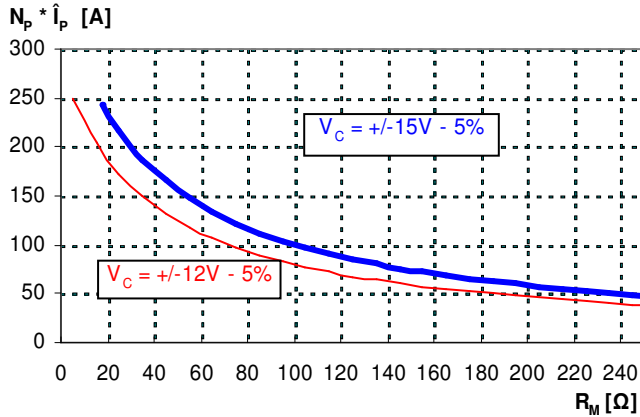
Customer:

Customers Part No.:

Page 2 of 3

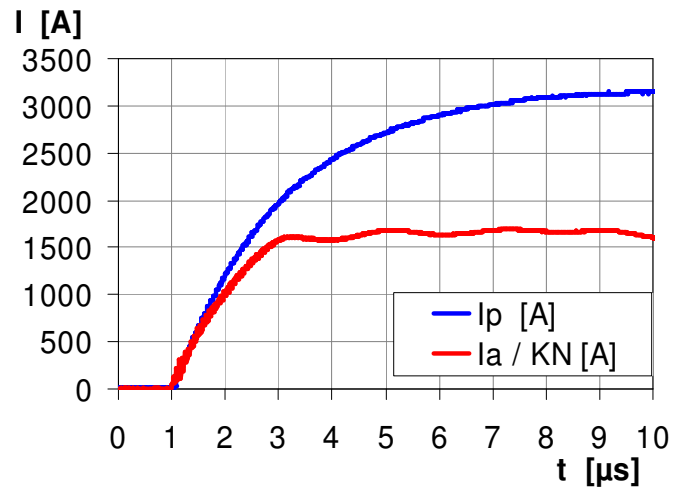
Limit curve of measurable current $\hat{I}_p(R_M)$

@ ambient temperature $\leq 85^\circ\text{C}$



Maximum measuring range (μs-range)

Output current behaviour of a 3kA current pulse
@ $V_C = \pm 15\text{V}$ und $R_M = 10\Omega$



Fast increasing currents (higher than the specified $I_{p,max}$), e.g. in case of a short circuit, can be transmitted because the currents are transformed directly and be limited by diodes only.

The offset ripple can be reduced by an external low pass. Simplest solution is a passive low pass filter of 1st order with

$$f_g = \frac{1}{2\pi \cdot R_M \cdot C_a}$$

In this case the response time is enlarged.

It is calculated from:

$$t'_r \leq t_r + 2,5R_M C_a$$

Applicable documents

Current direction: A positive output current appears at point I_S , by primary current in direction of the arrow.
Further standards UL 508 ; file E317483, category NMTR2 / NMTR8

Hrsg.: KB-E
editor

Bearb.: Le
designer

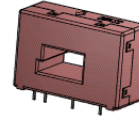
KB-PM: KRe
check

freig.: HS
released

K-No.: 25150

125 A Current Sensor

For electronic current measurement:
DC, AC, pulsed, mixed ..., with a galvanic
isolation between primary circuit
(high power) and secondary circuit



Date: 17.04.2013

Customer:

Customers Part No.:

Page 3 of 3

Explanation of several of the terms used in the tablets (in alphabetical order)

I_{0H} : Zero variation after overloading with a DC of tenfold the rated value ($R_M = R_{MN}$)

I_{0t} : Long term drift of I_0 after 100 temperature cycles in the range -40 bis 85 °C.

t_r : Response time, measured as delay time at $I_P = 0,8 \cdot I_{Pmax}$ between a rectangular current and the output current.

$\Delta t (I_{Pmax})$: Delay time between I_{Pmax} and the output current i_a with a primary current rise of $di_1/dt = 100 \text{ A}/\mu\text{s}$.

U_{PD} Rated discharge voltage (recurring peak voltage separated by the insulation) proved with a sinusoidal voltage V_e
 $U_{PD} = \sqrt{2} \cdot V_e / 1,5$

V_{vor} Defined voltage is the RMS value of a sinusoidal voltage with peak value of $1,875 \cdot U_{PD}$ required for partial discharge test in IEC 61800-5-1
 $V_{vor} = 1,875 \cdot U_{PD} / \sqrt{2}$

V_{sys} System voltage RMS value of rated voltage according to IEC 61800-5-1

V_{work} Working voltage voltage according to IEC 61800-5-1 which occurs by design in a circuit or across insulation

$X_{ges}(I_{PN})$: The sum of all possible errors over the temperature range by measuring a current I_{PN} :

$$X_{ges} = 100 \cdot \left| \frac{I_S(I_{PN})}{K_N \cdot I_{PN}} - 1 \right|$$

X: Permissible measurement error in the final inspection at RT, defined by

$$X = 100 \cdot \left| \frac{I_{SB}}{I_{SN}} - 1 \right|$$

where I_{SB} is the output DC value of an input DC current of the same magnitude as the (positive) rated current ($I_0 = 0$)

X_{Ti} : Temperature drift of the rated value orientated output term. I_{SN} (cf. Notes on F_i) in a specified temperature range, obtained by:

$$X_{Ti} = 100 \cdot \left| \frac{I_{SB}(T_{A2}) - I_{SB}(T_{A1})}{I_{SN}} \right|$$

ϵ_L : Linearity fault defined by $\epsilon_L = 100 \cdot \left| \frac{I_P}{I_{PN}} - \frac{I_{Sx}}{I_{SN}} \right|$

Where I_P is any input DC and I_{Sx} the corresponding output term. I_{SN} : see notes of F_i ($I_0 = 0$).

This "Additional information" is no declaration of warranty according BGB §443.

Hrsg.: KB-E
editor

Bearb: Le
designer

KB-PM: KRe
check

freig.: HS
released