

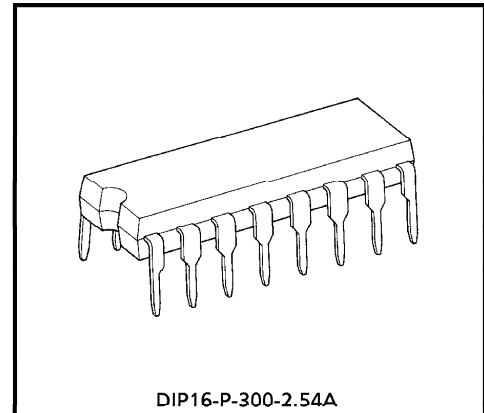
TA8415P

STEPPING MOTOR CONTROLLER / DRIVER

The TA8415P is general purpose unipolar stepping motor controller/driver, applicable to 3/4 phase motors and 1, 1-2, 2 phase excitation drive by initial setting of control terminals.

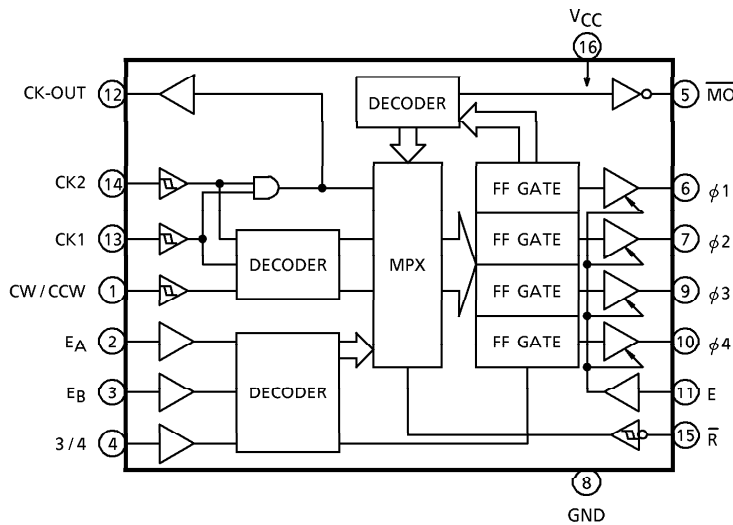
FEATURES

- 1 chip stepping motor controller / driver.
- 3 or 4 phase and 1, 1-2, 2 phase excitation drive are available.
- CW/CCW rotation and 1 clock or 2 clock drive are available.
- Hysteresis is provided with clock, CW/CCW, reset inputs for noise protection.
- Output enable, initial detect are available.
- Output current up to 400mA (MAX.)



Weight : 1.11g (Typ.)

BLOCK DIAGRAM



961001EBA2

● TOSHIBA is continually working to improve the quality and the reliability of its products. Nevertheless, semiconductor devices in general can malfunction or fail due to their inherent electrical sensitivity and vulnerability to physical stress. It is the responsibility of the buyer, when utilizing TOSHIBA products, to observe standards of safety, and to avoid situations in which a malfunction or failure of a TOSHIBA product could cause loss of human life, bodily injury or damage to property. In developing your designs, please ensure that TOSHIBA products are used within specified operating ranges as set forth in the most recent products specifications. Also, please keep in mind the precautions and conditions set forth in the TOSHIBA Semiconductor Reliability Handbook.

PIN FUNCTION

PIN No.	SYMBOL	PIN NAME	FUNCTIONAL DESCRIPTION	
1	CW / CCW	Clock Wise / Counter Clock Wise	Direction Control Input Function Table A	
2	E _A	Excitation A	Phase Excitation Mode Input	Truth Table B
3	E _B	Excitation B		
4	3 / 4	3 Phases / 4 Phases	Phase Control Input	
5	\overline{MO}	Monitor Out	$\overline{MO} = "L"$ at Initial State	
6	$\phi 1$	$\phi 1$ Out	$\phi 1$ Output	
7	$\phi 2$	$\phi 2$ Out	$\phi 2$ Output	
8	GND	GND	GND	
9	$\phi 3$	$\phi 3$ Out	$\phi 3$ Output	
10	$\phi 4$	$\phi 4$ Out	$\phi 4$ Output	
11	E	Output Enable	Outputs are Enable at E = "H"	
12	CK-OUT	Clock-Out	Clock Output	
13	CK1	Clock I _n -1	Clock Input 1	Truth Table A
14	CK2	Clock I _n -2	Clock Input 2	
15	\overline{R}	Reset	Reset Input	
16	V _{CC}	V _{CC}	V _{CC}	

TRUTH TABLE A

CK1	CK2	CW / CCW	FUNCTION
	H	L	CW
	L	L	Inhibit
H		L	CCW
L		L	Inhibit
	H	H	CCW
	L	H	Inhibit
H		H	CW
L		H	Inhibit

TRUTH TABLE B

E _A	E _B	3 / 4 (Note)	FUNCTION	
L	L	L	4 Phases	1 Phase Excitation
H	L	L		2 Phase Excitation
L	H	L		1-2 Phase Excitation
H	H	L	Test Mode $\phi 1 \sim \phi 4$ ON	
L	L	H	3 Phases	1 Phase Excitation
H	L	H		2 Phase Excitation
L	H	H		1-2 Phase Excitation
H	H	H	Test Mode $\phi 1 \sim \phi 4$ ON	

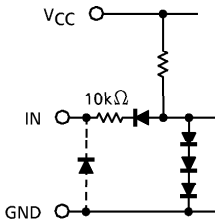
(Note) Conversion of Phase Excitation Mode must be made after the Reset Mode is established.

961001EBA2'

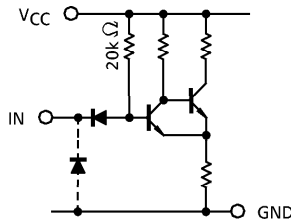
● The products described in this document are subject to foreign exchange and foreign trade control laws.
 ● The information contained herein is presented only as a guide for the applications of our products. No responsibility is assumed by TOSHIBA CORPORATION for any infringements of intellectual property or other rights of the third parties which may result from its use. No license is granted by implication or otherwise under any intellectual property or other rights of TOSHIBA CORPORATION or others.
 ● The information contained herein is subject to change without notice.

SCHEMATIC OF INPUTS AND OUTPUTS

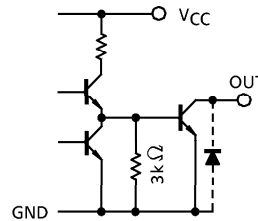
E_A, E_B, 3/4, E



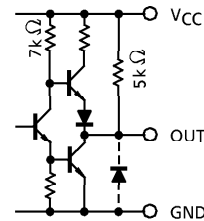
CK1, CK2, CW/CCW, R̄



φ1~φ4



MO, CK-OUT



MAXIMUM RATINGS (T_a = 25°C Unless otherwise noted)

CHARACTERISTIC	SYMBOL	RATING	UNIT
Supply Voltage	V _{CC}	- 0.3~7.0	V
Output Sustaining Voltage	V _{CE (SUS)} φ	- 0.3~28	V
Output Current (φ _n)	I _{OUT φ}	400	mA
Output Current (MO, CK-OUT)	I _{OUT MO} CK-OUT	10	mA
Input Voltage	V _{IN}	- 0.3~V _{CC} + 0.3	V
Input Current	I _{IN}	± 1	mA
Power Dissipation	P _D	1.2	W
Operating Temperature	T _{opr}	- 30~85	°C
Storage Temperature	T _{stg}	- 55~150	°C

RECOMMENDED OPERATING CONDITIONS (T_a = - 30~85°C)

CHARACTERISTIC	SYMBOL	TEST CONDITION	MIN.	TYP.	MAX.	UNIT
Supply Voltage	V _{CC}	—	4.5	5.0	5.5	V
Output Sustaining Voltage	V _{CE (SUS)} φ	—	0	—	26	V
Output Current φ _n	"L" Level I _{OUT φ}	—	—	—	200	mA
Output Current MO, CK-OUT	"H" Level I _{OH}	—	—	—	- 0.4	mA
	"L" Level I _{OL}	—	—	—	8	
Input Voltage	V _{IN}	—	0	—	V _{CC}	V
Clock Frequency	f _{CLOCK}	—	0	—	100	kHz
Power Dissipation	P _D	—	—	—	0.6	W

ELECTRICAL CHARACTERISTICS (Ta = 25°C)

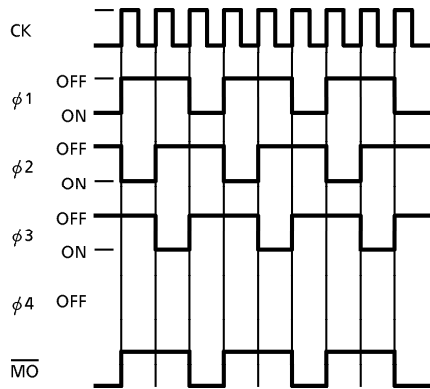
CHARACTERISTIC		SYMBOL	TEST CIRCUIT	TEST CONDITION	MIN.	TYP.	MAX.	UNIT
Input Voltage	"H" Level	V _{IH}	—	—	2.0	—	—	V
	"L" Level	V _{IL}	—	—	—	—	0.8	
Input Current	"H" Level	I _{IH}	—	V _{CC} = 5.5V, V _{IH} = 5.5V	—	—	10	μA
	"L" Level	I _{IL}	—	V _{CC} = 5.5V, V _{IL} = 0.4V	—	—	-0.4	mA
Hysteresis		ΔV _T	—	—	—	150	—	mV
Supply Current		I _{CC}	—	—	—	—	100	mA
Output Leakage Current φ _n		I _{OHφ}	—	V _{CC} = 5.5V, V _{OUT} = 26V	—	—	100	μA
Output Voltage	"H" Level	M _O CK-OUT	—	V _{CC} = 4.5V, I _{OH} = -0.4mA	2.4	—	—	V
				V _{CC} = 5.0V, I _{OH} = -10μA	4.0	—	—	
	"L" Level	M _O CK-OUT	—	V _{CC} = 4.5V, I _{OL} = 8mA	—	—	0.4	
		φ _n		V _{OUTφ}	V _{CC} = 4.5V, I _{OUT} = 400mA t = 100ms	—	—	
				V _{CC} = 4.5V, I _{OUT} = 200mA t = 100ms	—	—	0.6	

SWITCHING CHARACTERISTICS (Ta = 25°C)

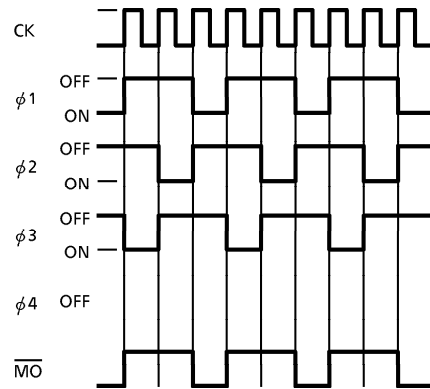
CHARACTERISTIC		SYMBOL	TEST CIRCUIT	TEST CONDITION	MIN.	TYP.	MAX.	UNIT
Propagation Delay Time	"H" Level	CK-φ _n	—	—	—	2.0	—	μs
		CK-CK-OUT			—	1.0	—	
		CK-M _O			—	2.8	—	
		E-φ _n			—	1.0	—	
		R-φ _n			—	2.0	—	
	"L" Level	CK-φ _n	—	—	—	1.4	—	
		CK-CK-OUT			—	0.7	—	
		CK-M _O			—	2.1	—	
		E-φ _n			—	1.2	—	
		R̄-φ _n			—	1.0	—	
		R-M _O			—	2.0	—	
	Maximum Clock Frequency		f _{max}	—	—	—	250	
Set Up Time CK, CW/CCW		t _{set-up}	—	—	—	0.1	—	
Hold Time CK, CW/CCW		t _{hold}	—	—	—	0.1	—	
Minimum Clock Pulse Width		t _w (CK)	—	—	—	1.0	—	
Minimum Reset Pulse Width		t _w (R)	—	—	—	1.0	—	
Maximum Clock Rise Time		t _r (CK)	—	—	—	10	—	

TIMING CHART
3 PHASES METHOD

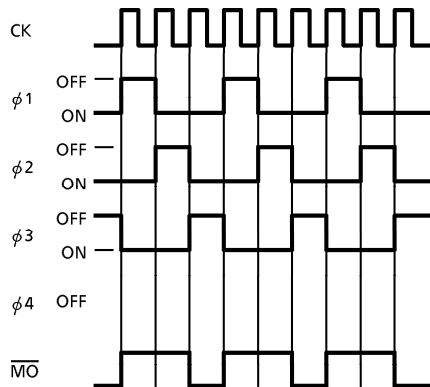
1 PHASE EXCITATION CW



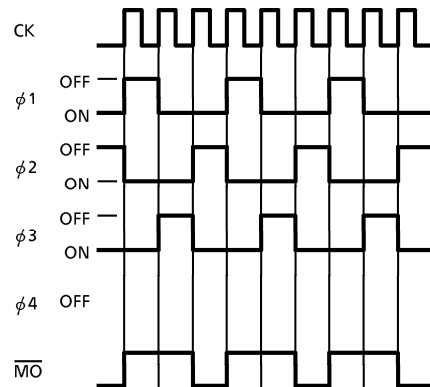
1 PHASE EXCITATION CCW



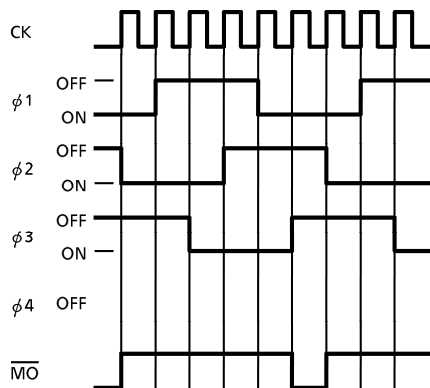
2 PHASE EXCITATION CW



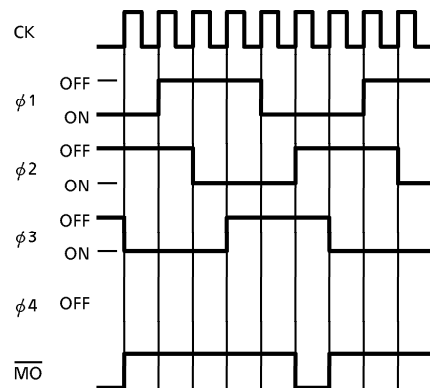
2 PHASE EXCITATION CCW



1-2 PHASE EXCITATION CW

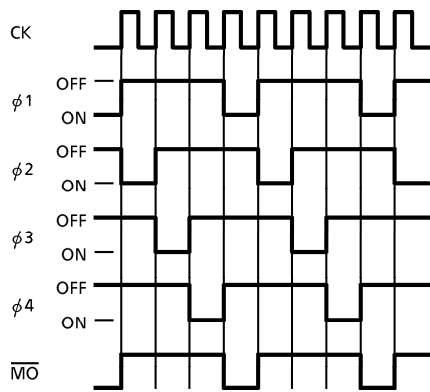


1-2 PHASE EXCITATION CCW

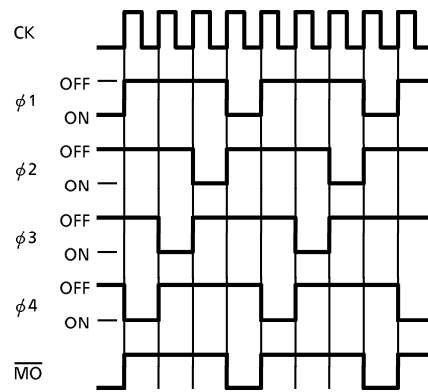


4 PHASES METHOD

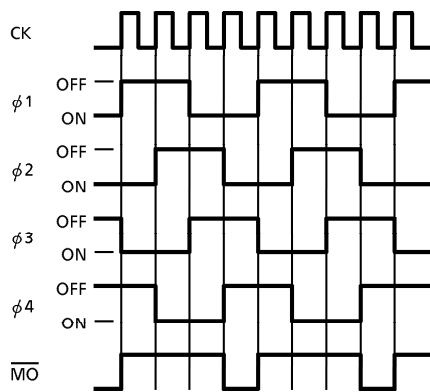
1 PHASE EXCITATION CW



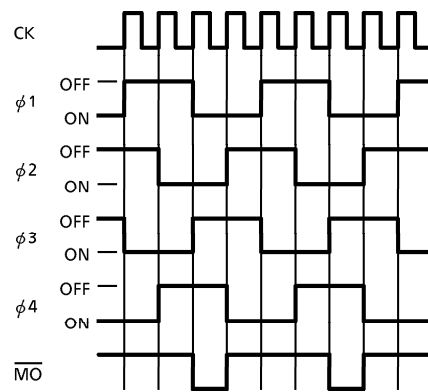
1 PHASE EXCITATION CCW



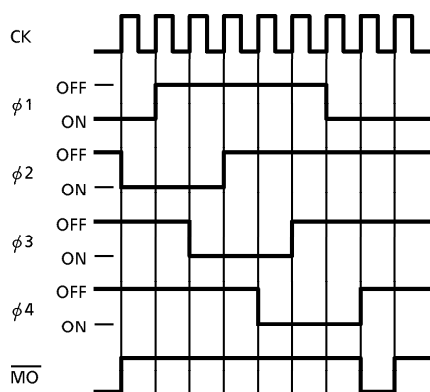
2 PHASE EXCITATION CW



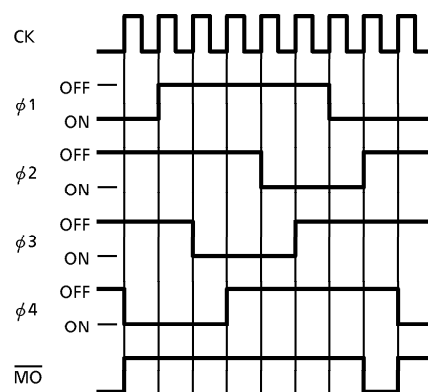
2 PHASE EXCITATION CCW

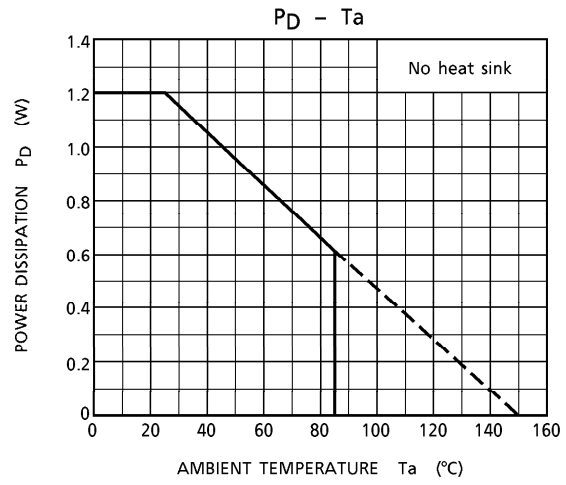
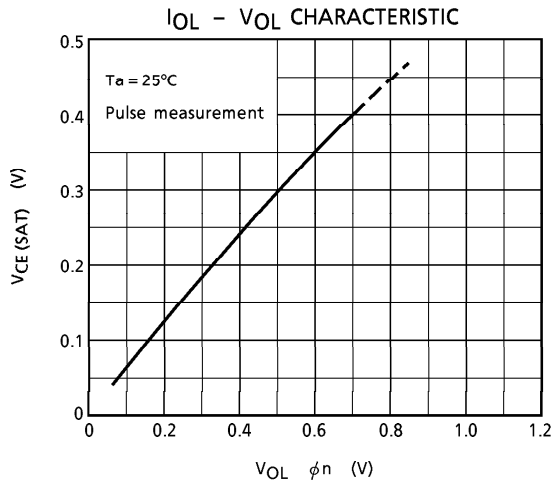


1-2 PHASE EXCITATION CW



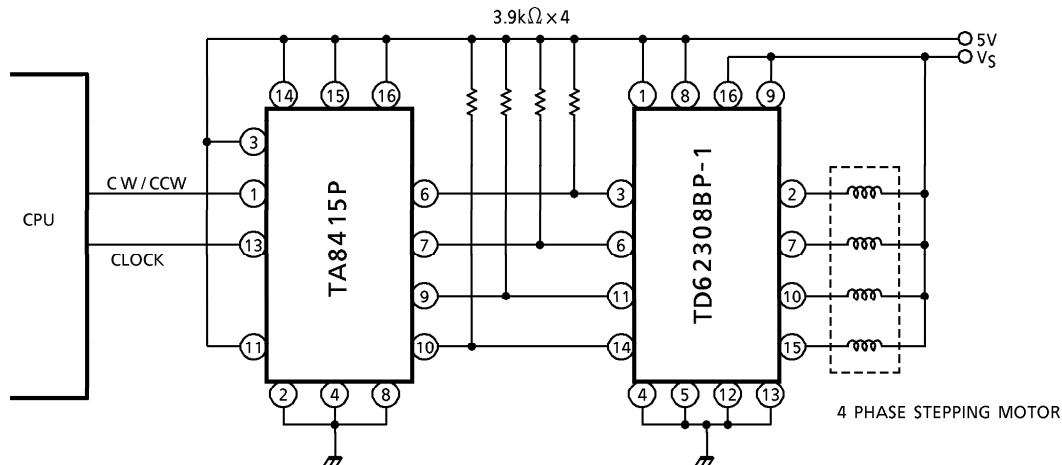
1-2 PHASE EXCITATION CCW





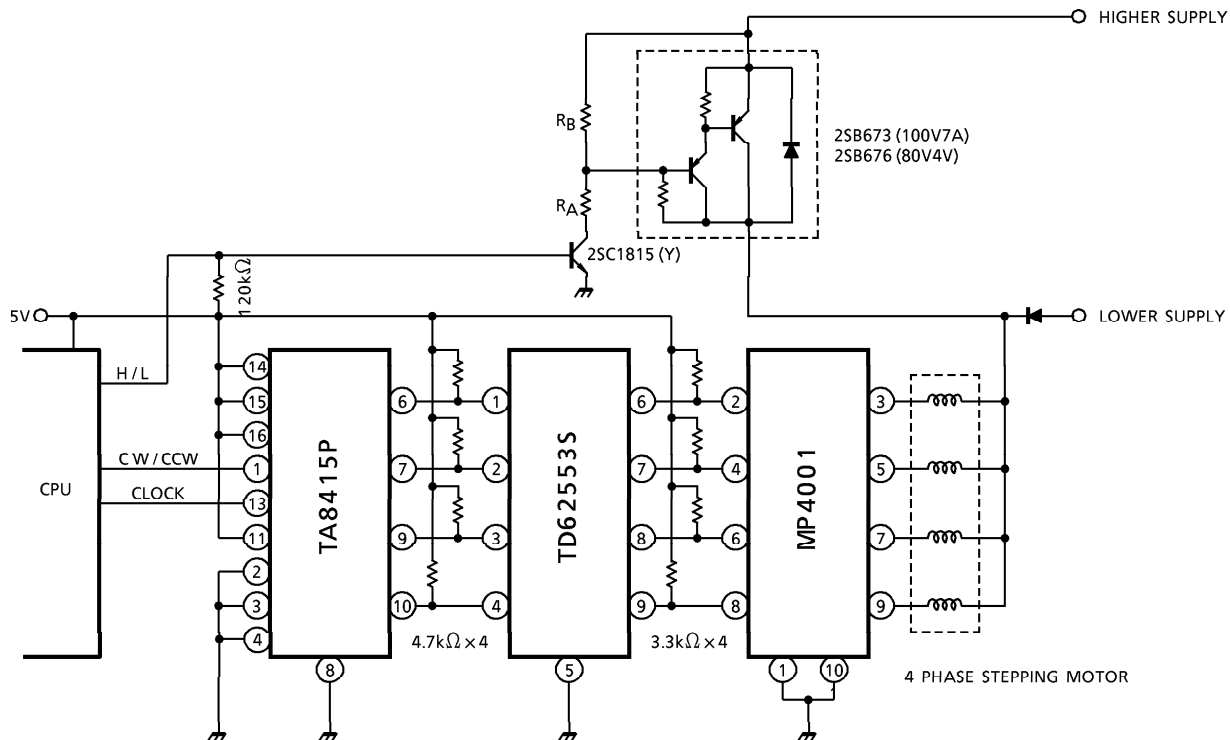
APPLICATION CIRCUIT 1

(TA8415P + TD62308BP 4 phase stepping motor driver circuit)



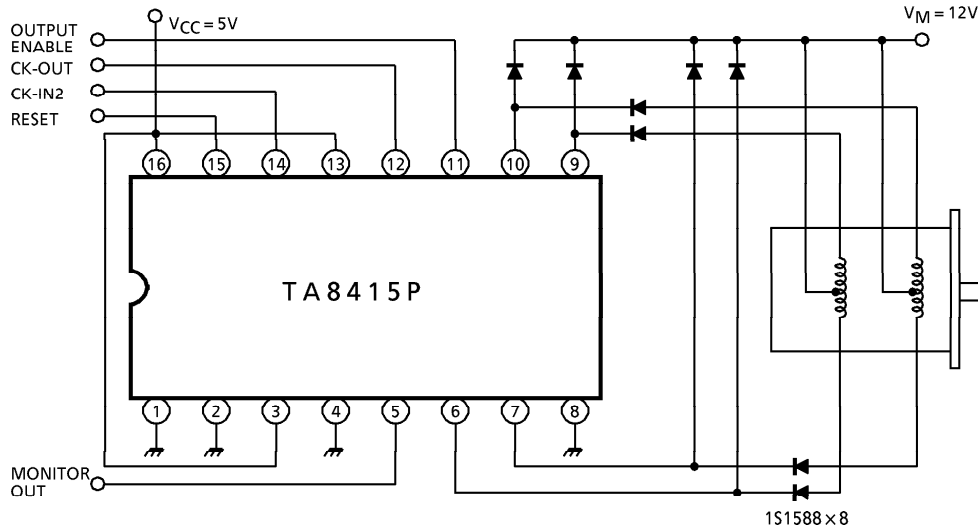
APPLICATION CIRCUIT 2

(TA8415P + TD62553S + MP4001 high efficiency stepping motor driver circuit)



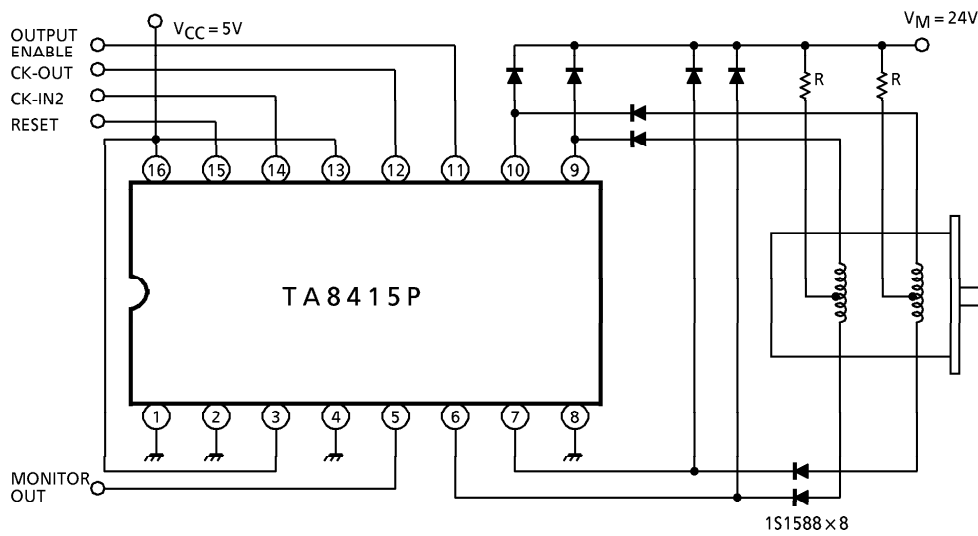
APPLICATION CIRCUIT 3

4 phase motor 1-2 phase excitation drive I .



APPLICATION CIRCUIT 4

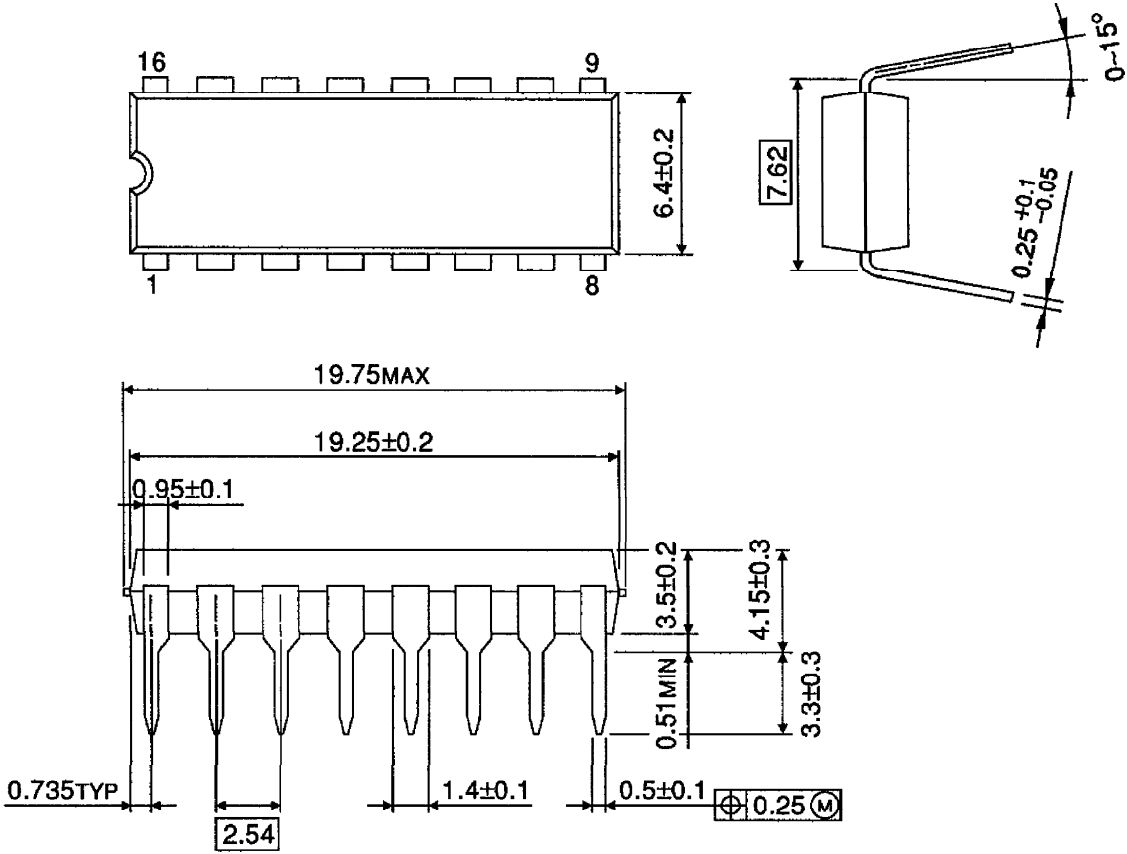
4 phase motor 1-2 phase excitation drive II .



(Note) Utmost care is necessary in the design of the output line, power supply and GND line since IC may be destroyed due to short-circuit between outputs, air contamination fault, or fault by improper grounding.

OUTLINE DRAWING
DIP16-P-300-2.54A

Unit : mm



Weight : 1.11g (Typ.)