

UTC TDA2822M LINEAR INTEGRATED CIRCUIT

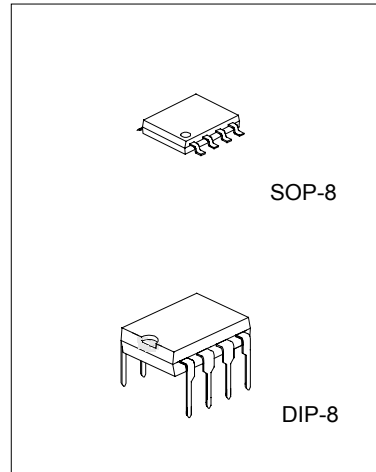
DUAL LOW VOLTAGE POWER AMPLIFIER

DESCRIPTION

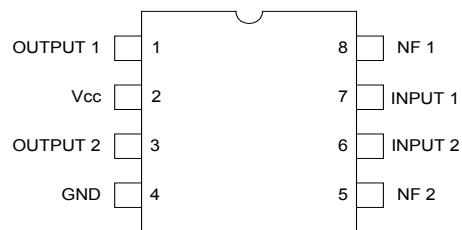
The UTC TDA2822M is a monolithic integrated audio amplifier in a 8-Pin plastic dual in line package. It is designed for portable cassette players and radios.

FEATURES

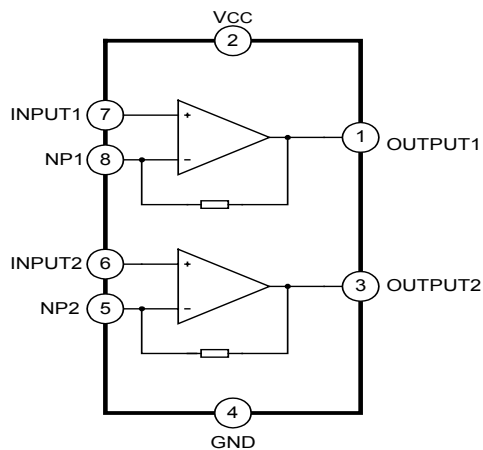
- *Wide operating supply voltage: $V_{cc}=1.8V-12V$.
- *Low crossover distortion.
- *Low quiescent circuit current.
- *Bridge/stereo configuration.



PIN CONFIGURATIONS



BLOCK DIAGRAM



UTC TDA2822M LINEAR INTEGRATED CIRCUIT

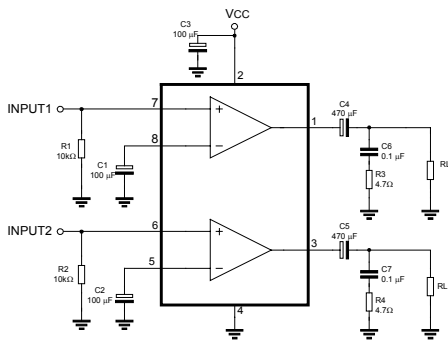
ABSOLUTE MAXIMUM RATINGS (Ta=25°C)

PARAMETER	SYMBOL	VALUE	UNIT
Supply Voltage	Vcc	15	V
Output Peak Current	Io(peak)	1	A
Power Dissipation	Pd	DIP at Tamb=50°C 1.0 SOP at Tamb=50°C 0.5	W
Operating Temperature	Topr	-20 ~ +70	°C
Storage Temperature	Tstg	-40 ~ +150	°C

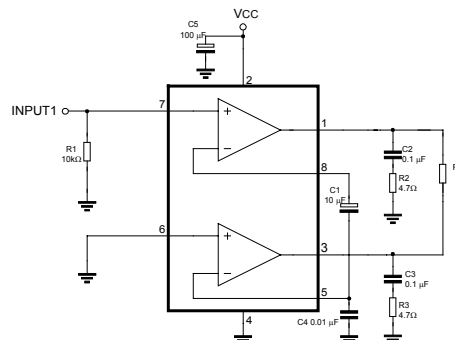
ELECTRICAL CHARACTERISTICS (Ta=25°C, VCC=6V, f=1kHz, unless otherwise specified)

PARAMETER	SYMBOL	TEST CONDITIONS	MIN	TYP	MAX	UNIT
Operating Supply Voltage	Vcc		1.8		12	V
Quiescent Circuit Current	Icc	Vi=0		9		mA
Closed Loop Voltage Gain	Av	Stereo		40		dB
Closed Loop Voltage Gain	Av	Bridge		40		dB
Channel Balance	CB	Stereo	-1	0	1	dB
Output Power	Po	Stereo, Vcc=6V, RL=4Ω, THD=10%	0.4(DIP) 0.28(SOP)	0.65(DIP) 0.45(SOP)		W
Output Power	Po	Stereo, Vcc=3V, RL=4Ω, THD=10%		0.11(DIP) 0.07(SOP)		W
Output Power	Po	Bridge, Vcc=6V, RL=4Ω, THD=10%	0.9(DIP) 0.63(SOP)	1.35(DIP) 0.94(SOP)		W
Output Power	Po	Bridge, Vcc=6V, RL=4Ω, THD=10%		0.35(DIP) 0.24(SOP)		W
Total Harmonic Distortion	THD	Stereo, RL=8Ω, Po=0.2W		0.5		%
Total Harmonic Distortion	THD	Bridge, RL=8Ω, Po=0.5W		0.5		%
Ripple Rejection	RR	Stereo, f=100Hz, C3=100μF	24	30		dB
Output Noise Voltage	VNO	Stereo, BW(-3dB)=20Hz ~20kHz		0.5	2.0	mV
Cross Talk	CT	Stereo, f=1kHz		50		dB
Input Resistance	Ri		100			kΩ

TEST CIRCUIT 1: STEREO

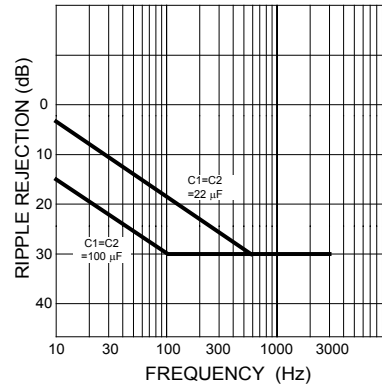
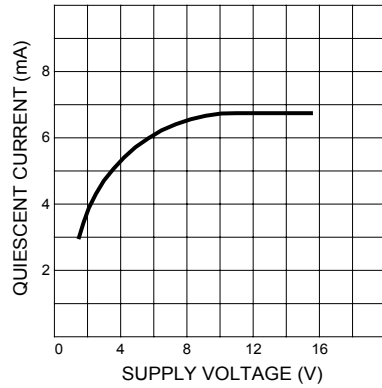


TEST CIRCUIT 2: BRIDGE

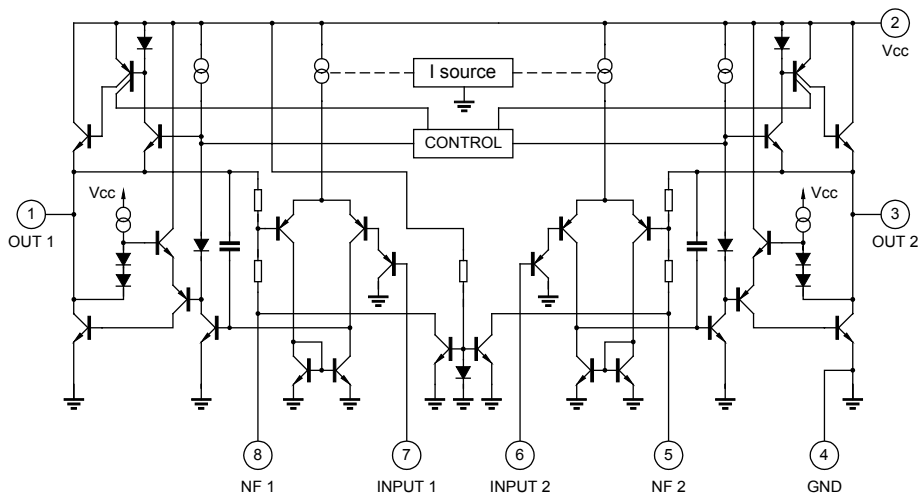


UTC TDA2822M LINEAR INTEGRATED CIRCUIT

TYPICAL PERFORMANCE CHARACTERISTICS



SCHEMATIC DIAGRAM



UTC TDA2822M LINEAR INTEGRATED CIRCUIT

UTC assumes no responsibility for equipment failures that result from using products at values that exceed, even momentarily, rated values (such as maximum ratings, operating condition ranges, or other parameters) listed in products specifications of any and all UTC products described or contained herein. UTC products are not designed for use in life support appliances, devices or systems where malfunction of these products can be reasonably expected to result in personal injury. Reproduction in whole or in part is prohibited without the prior written consent of the copyright owner. The information presented in this document does not form part of any quotation or contract, is believed to be accurate and reliable and may be changed without notice.