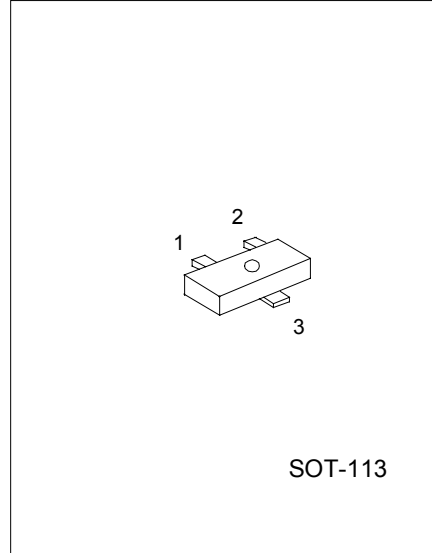


CAPACITOR MICROPHONE APPLICATIONS

FEATURES

- *Ultrasmall-sized package permitting TF202 appliedses to be made small and slim.
- *Especially suited for use in audio,telephone capacitor microphones.
- *Excellent voltage charactristic.
- *Excellent transient characteristic.
- *Adoption of FBET process.



1:SOURCE 2:DRAIN 3. GATE

ABSOLUTE MAXIMUM RATINGS (Ta=25°C ,unless otherwise specified)

PARAMETER	SYMBOL	RATING	UNIT
Gate Drain Voltage	V _{GDO}	-20	V
Gate Current	I _G	10	mA
Drain Current	I _D	1	mA
Power Dissipation	P _D	100	mW
Junctin Temperature	T _J	150	°C
Storage Temperature	T _{STG}	-55~+150	°C

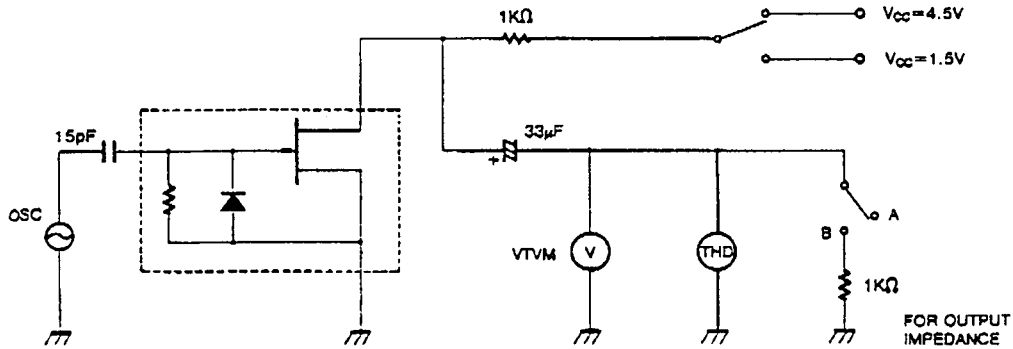
ELECTRICAL CHARACTERISTICS(Ta=25°C,unless otherwise specified)

PARAMETER	SYMBOL	TEST CONDITIONS	MIN	TYP	MAX	UNIT
Gate Drain Breakdown Voltage	B(BR)GDO	I _G =-100μA	-20			V
Gate Source Cut off Voltage	V _{GS(off)}	V _{DS} =5V,I _D =1μA	-0.2	-0.6	-1.2	V
Drain Current	I _{DSS}	V _{DS} =5V,V _{GS} =0	140		500	μA
Forward Transfer Admittance	Y _{FSL}	V _{DS} =5V,V _{GS} =0,f=1KHz	0.5	1.2		mS
Input Capacitance	C _{ISS}	V _{DS} =5V,V _{GS} =0,f=1MHz		3.5		pF
Output Capacitance	C _{RSS}	V _{DS} =5V,V _{GS} =0,f=1MHz		0.65		pF

CLASSIFICATION OF I_{DSS}

RANK	E4	E5	E6
I _{DSS} (μA)	140-240	210-350	320-500

TEST CIRCUIT(Ta=25°C)



PARAMETER	SYMBOL	TEST CONDITIONS	MIN	TYP	MAX	UNIT
Voltage Gain	Gv	V _{IN} =10mV, f=1KHz		-3		dB
Reduced Voltage Characteristic	ΔGvV	V _{IN} =10mV, f=1KHz, V _{CC} =4.5V→1.5V		-1.2	-3.5	dB
Frequency Characteristic	ΔGvf	f=1KHz to 110Hz			-1	dB
Input Resistance	Z _{IN}	f=1KHz	25			MΩ
Output Resistance	Z _O	f=1KHz			700	Ω
Total Harmonic distortion	THD	V _{IN} =30mV, f=1KHz		1		%
Output Noise Voltage	V _{NO}	V _{IN} =0, A CURVE			-110	dB

UTC assumes no responsibility for equipment failures that result from using products at values that exceed, even momentarily, rated values (such as maximum ratings, operating condition ranges, or other parameters) listed in products specifications of any and all UTC products described or contained herein. UTC products are not designed for use in life support appliances, devices or systems where malfunction of these products can be reasonably expected to result in personal injury. Reproduction in whole or in part is prohibited without the prior written consent of the copyright owner. The information presented in this document does not form part of any quotation or contract, is believed to be accurate and reliable and may be changed without notice.