

263/256-OUTPUT TFT-LCD GATE DRIVER

DESCRIPTION

The μ PD16707 is a TFT-LCD gate driver equipped with 263/256-output lines. It can output a high-gate scanning voltage in response to CMOS level input because it provided with a level-shift circuit inside the IC circuit. It can also drive the XGA / SXGA / SXGA+, and since the input signal is placed symmetrically, this product can wire easily between gate drivers.

FEATURES

- CMOS level input (2.3 to 3.6V)
- 263/256 outputs
- High-output voltage (V_{DD2} to V_{EE} : 40 V MAX.)
- Capable of All-ON outputting (/AOR, /AOL)
- Input terminal symmetrical placement
- Adapted to COG and TCP

Remark /xxx indicates active low signal.

ORDERING INFORMATION

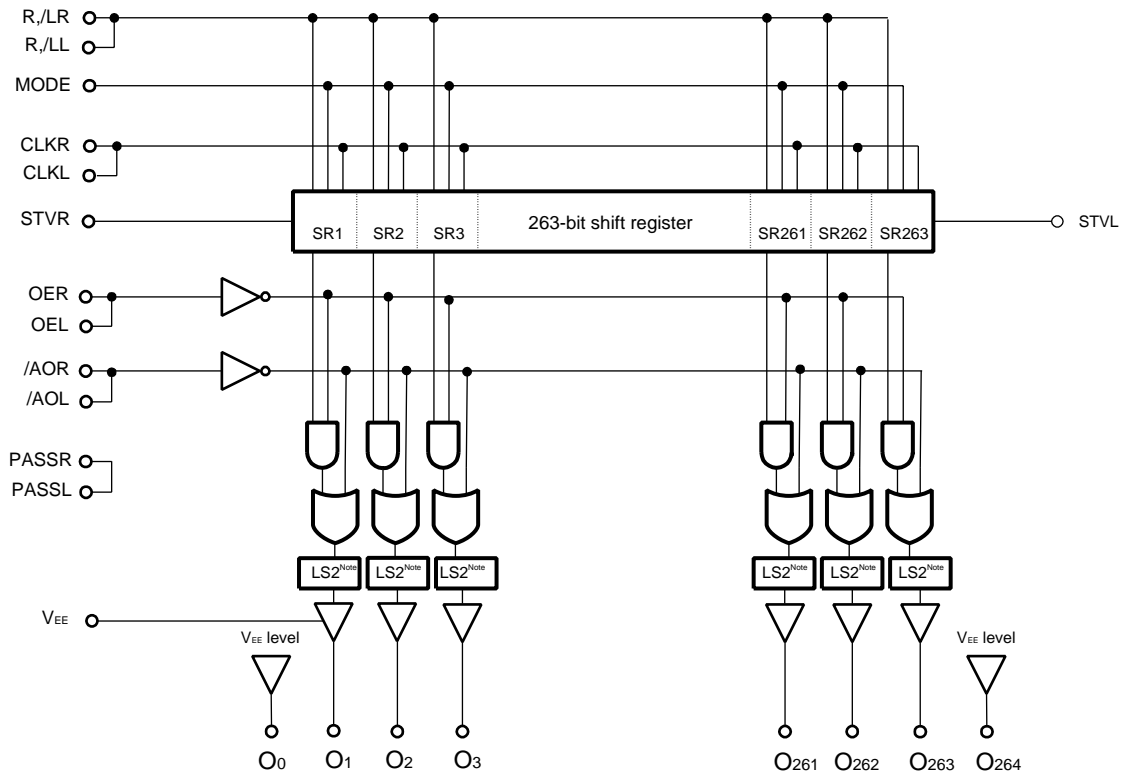
| Part Number | Package |
|--------------------|-------------------|
| μ PD16707P | CHIP |
| μ PD16707N-xxx | TCP (TAB package) |

Remark Purchasing the above chip entail the exchange of documents such as a separate memorandum or product quality, so please contact one of our sales representatives.

The TCP's external shape is customized. To order the required shape, so please contact one of our sales representatives.

The information in this document is subject to change without notice. Before using this document, please confirm that this is the latest version.
 Not all products and/or types are available in every country. Please check with an NEC Electronics sales representative for availability and additional information.

1. BLOCK DIAGRAM



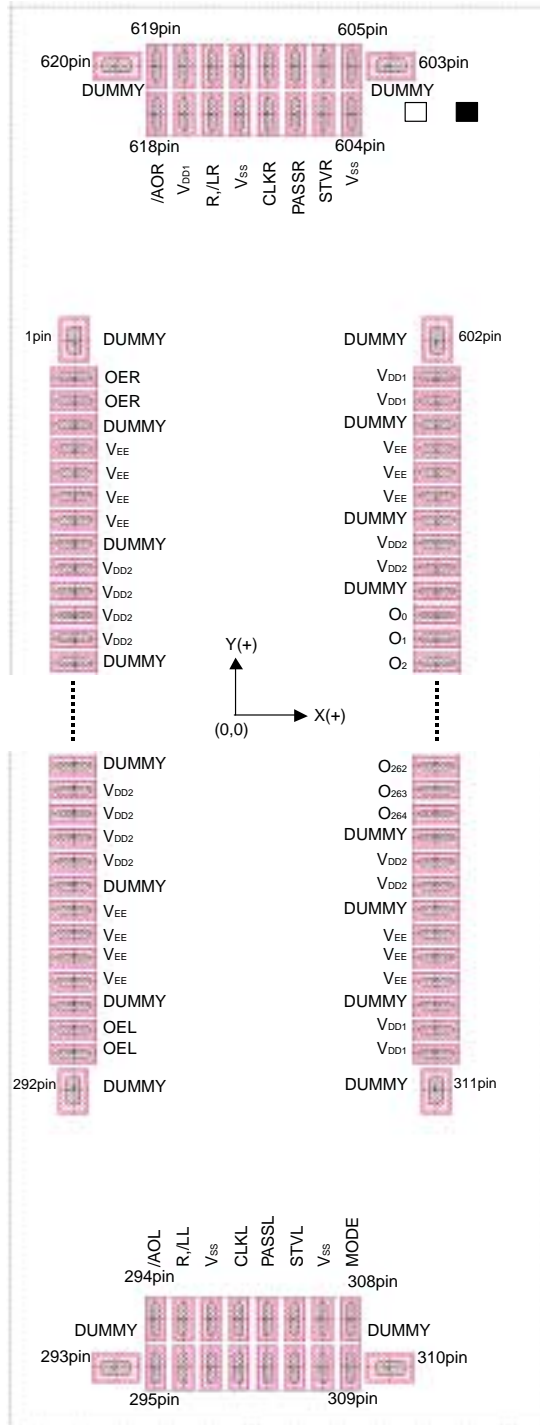
Note LS2 : shifts CMOS level and output level (V_{DD2} to V_{EE}).

2. PIN CONFIGURATION

2.1 CHIP PACKAGE : μPD16707P Chip surface (Bump side)

Chip size : 1.06±0.02 x 16.01±0.02 [mm]

Chip thickness : 595±25 [μm]



Alignment Mark1

□ : 50 x 50 μm

coordinate : (267.5, -7785)
(267.5, 7785)

Alignment Mark2

■ : 50 x 50 μm

coordinate : (387.5, -7785)
(387.5, 7785)

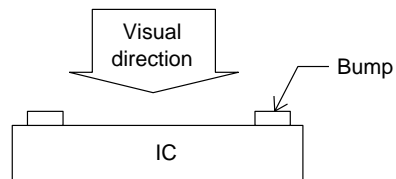


Table 2-1 Pad Coordinate Bump size (1/7)

| PAD No. | PAD Name | (X:Y) [μm] | | |
|---------|----------|------------|--------|-----------|
| | | X | Y | Bump size |
| 1 | DUMMY | -404.0 | 7303.0 | 50:87 |
| 2 | OER | -404.0 | 7225.0 | 83:33 |
| 3 | OER | -404.0 | 7175.0 | 83:33 |
| 4 | DUMMY | -404.0 | 7125.0 | 83:33 |
| 5 | VEE | -404.0 | 7075.0 | 83:33 |
| 6 | VEE | -404.0 | 7025.0 | 83:33 |
| 7 | VEE | -404.0 | 6975.0 | 83:33 |
| 8 | VEE | -404.0 | 6925.0 | 83:33 |
| 9 | DUMMY | -404.0 | 6875.0 | 83:33 |
| 10 | VDD2 | -404.0 | 6825.0 | 83:33 |
| 11 | VDD2 | -404.0 | 6775.0 | 83:33 |
| 12 | VDD2 | -404.0 | 6725.0 | 83:33 |
| 13 | VDD2 | -404.0 | 6675.0 | 83:33 |
| 14 | DUMMY | -404.0 | 6625.0 | 83:33 |
| 15 | DUMMY | -404.0 | 6575.0 | 83:33 |
| 16 | DUMMY | -404.0 | 6525.0 | 83:33 |
| 17 | DUMMY | -404.0 | 6475.0 | 83:33 |
| 18 | DUMMY | -404.0 | 6425.0 | 83:33 |
| 19 | DUMMY | -404.0 | 6375.0 | 83:33 |
| 20 | DUMMY | -404.0 | 6325.0 | 83:33 |
| 21 | DUMMY | -404.0 | 6275.0 | 83:33 |
| 22 | DUMMY | -404.0 | 6225.0 | 83:33 |
| 23 | DUMMY | -404.0 | 6175.0 | 83:33 |
| 24 | DUMMY | -404.0 | 6125.0 | 83:33 |
| 25 | DUMMY | -404.0 | 6075.0 | 83:33 |
| 26 | DUMMY | -404.0 | 6025.0 | 83:33 |
| 27 | DUMMY | -404.0 | 5975.0 | 83:33 |
| 28 | DUMMY | -404.0 | 5925.0 | 83:33 |
| 29 | DUMMY | -404.0 | 5875.0 | 83:33 |
| 30 | DUMMY | -404.0 | 5825.0 | 83:33 |
| 31 | DUMMY | -404.0 | 5775.0 | 83:33 |
| 32 | DUMMY | -404.0 | 5725.0 | 83:33 |
| 33 | DUMMY | -404.0 | 5675.0 | 83:33 |
| 34 | DUMMY | -404.0 | 5625.0 | 83:33 |
| 35 | DUMMY | -404.0 | 5575.0 | 83:33 |
| 36 | DUMMY | -404.0 | 5525.0 | 83:33 |
| 37 | DUMMY | -404.0 | 5475.0 | 83:33 |
| 38 | DUMMY | -404.0 | 5425.0 | 83:33 |
| 39 | DUMMY | -404.0 | 5375.0 | 83:33 |
| 40 | DUMMY | -404.0 | 5325.0 | 83:33 |
| 41 | DUMMY | -404.0 | 5275.0 | 83:33 |
| 42 | DUMMY | -404.0 | 5225.0 | 83:33 |
| 43 | DUMMY | -404.0 | 5175.0 | 83:33 |
| 44 | DUMMY | -404.0 | 5125.0 | 83:33 |
| 45 | DUMMY | -404.0 | 5075.0 | 83:33 |
| 46 | DUMMY | -404.0 | 5025.0 | 83:33 |
| 47 | DUMMY | -404.0 | 4975.0 | 83:33 |
| 48 | DUMMY | -404.0 | 4925.0 | 83:33 |
| 49 | DUMMY | -404.0 | 4875.0 | 83:33 |
| 50 | DUMMY | -404.0 | 4825.0 | 83:33 |

| PAD No. | PAD Name | (X:Y) [μm] | | |
|---------|----------|------------|--------|-----------|
| | | X | Y | Bump size |
| 51 | DUMMY | -404.0 | 4775.0 | 83:33 |
| 52 | DUMMY | -404.0 | 4725.0 | 83:33 |
| 53 | DUMMY | -404.0 | 4675.0 | 83:33 |
| 54 | DUMMY | -404.0 | 4625.0 | 83:33 |
| 55 | DUMMY | -404.0 | 4575.0 | 83:33 |
| 56 | DUMMY | -404.0 | 4525.0 | 83:33 |
| 57 | DUMMY | -404.0 | 4475.0 | 83:33 |
| 58 | DUMMY | -404.0 | 4425.0 | 83:33 |
| 59 | DUMMY | -404.0 | 4375.0 | 83:33 |
| 60 | DUMMY | -404.0 | 4325.0 | 83:33 |
| 61 | DUMMY | -404.0 | 4275.0 | 83:33 |
| 62 | DUMMY | -404.0 | 4225.0 | 83:33 |
| 63 | DUMMY | -404.0 | 4175.0 | 83:33 |
| 64 | DUMMY | -404.0 | 4125.0 | 83:33 |
| 65 | DUMMY | -404.0 | 4075.0 | 83:33 |
| 66 | DUMMY | -404.0 | 4025.0 | 83:33 |
| 67 | DUMMY | -404.0 | 3975.0 | 83:33 |
| 68 | DUMMY | -404.0 | 3925.0 | 83:33 |
| 69 | DUMMY | -404.0 | 3875.0 | 83:33 |
| 70 | DUMMY | -404.0 | 3825.0 | 83:33 |
| 71 | DUMMY | -404.0 | 3775.0 | 83:33 |
| 72 | DUMMY | -404.0 | 3725.0 | 83:33 |
| 73 | DUMMY | -404.0 | 3675.0 | 83:33 |
| 74 | DUMMY | -404.0 | 3625.0 | 83:33 |
| 75 | DUMMY | -404.0 | 3575.0 | 83:33 |
| 76 | DUMMY | -404.0 | 3525.0 | 83:33 |
| 77 | DUMMY | -404.0 | 3475.0 | 83:33 |
| 78 | DUMMY | -404.0 | 3425.0 | 83:33 |
| 79 | DUMMY | -404.0 | 3375.0 | 83:33 |
| 80 | DUMMY | -404.0 | 3325.0 | 83:33 |
| 81 | DUMMY | -404.0 | 3275.0 | 83:33 |
| 82 | DUMMY | -404.0 | 3225.0 | 83:33 |
| 83 | DUMMY | -404.0 | 3175.0 | 83:33 |
| 84 | DUMMY | -404.0 | 3125.0 | 83:33 |
| 85 | DUMMY | -404.0 | 3075.0 | 83:33 |
| 86 | DUMMY | -404.0 | 3025.0 | 83:33 |
| 87 | DUMMY | -404.0 | 2975.0 | 83:33 |
| 88 | DUMMY | -404.0 | 2925.0 | 83:33 |
| 89 | DUMMY | -404.0 | 2875.0 | 83:33 |
| 90 | DUMMY | -404.0 | 2825.0 | 83:33 |
| 91 | DUMMY | -404.0 | 2775.0 | 83:33 |
| 92 | DUMMY | -404.0 | 2725.0 | 83:33 |
| 93 | DUMMY | -404.0 | 2675.0 | 83:33 |
| 94 | DUMMY | -404.0 | 2625.0 | 83:33 |
| 95 | DUMMY | -404.0 | 2575.0 | 83:33 |
| 96 | DUMMY | -404.0 | 2525.0 | 83:33 |
| 97 | DUMMY | -404.0 | 2475.0 | 83:33 |
| 98 | DUMMY | -404.0 | 2425.0 | 83:33 |
| 99 | DUMMY | -404.0 | 2375.0 | 83:33 |
| 100 | DUMMY | -404.0 | 2325.0 | 83:33 |

Table 2-1 Pad Coordinate Bump size (2/7)

| PAD No. | PAD Name | (X:Y) [μm] | | |
|---------|----------|------------|--------|-----------|
| | | X | Y | Bump size |
| 101 | DUMMY | -404.0 | 2275.0 | 83:33 |
| 102 | DUMMY | -404.0 | 2225.0 | 83:33 |
| 103 | DUMMY | -404.0 | 2175.0 | 83:33 |
| 104 | DUMMY | -404.0 | 2125.0 | 83:33 |
| 105 | DUMMY | -404.0 | 2075.0 | 83:33 |
| 106 | DUMMY | -404.0 | 2025.0 | 83:33 |
| 107 | DUMMY | -404.0 | 1975.0 | 83:33 |
| 108 | DUMMY | -404.0 | 1925.0 | 83:33 |
| 109 | DUMMY | -404.0 | 1875.0 | 83:33 |
| 110 | DUMMY | -404.0 | 1825.0 | 83:33 |
| 111 | DUMMY | -404.0 | 1775.0 | 83:33 |
| 112 | DUMMY | -404.0 | 1725.0 | 83:33 |
| 113 | DUMMY | -404.0 | 1675.0 | 83:33 |
| 114 | DUMMY | -404.0 | 1625.0 | 83:33 |
| 115 | DUMMY | -404.0 | 1575.0 | 83:33 |
| 116 | DUMMY | -404.0 | 1525.0 | 83:33 |
| 117 | DUMMY | -404.0 | 1475.0 | 83:33 |
| 118 | DUMMY | -404.0 | 1425.0 | 83:33 |
| 119 | DUMMY | -404.0 | 1375.0 | 83:33 |
| 120 | DUMMY | -404.0 | 1325.0 | 83:33 |
| 121 | DUMMY | -404.0 | 1275.0 | 83:33 |
| 122 | DUMMY | -404.0 | 1225.0 | 83:33 |
| 123 | DUMMY | -404.0 | 1175.0 | 83:33 |
| 124 | DUMMY | -404.0 | 1125.0 | 83:33 |
| 125 | DUMMY | -404.0 | 1075.0 | 83:33 |
| 126 | DUMMY | -404.0 | 1025.0 | 83:33 |
| 127 | DUMMY | -404.0 | 975.0 | 83:33 |
| 128 | DUMMY | -404.0 | 925.0 | 83:33 |
| 129 | DUMMY | -404.0 | 875.0 | 83:33 |
| 130 | DUMMY | -404.0 | 825.0 | 83:33 |
| 131 | DUMMY | -404.0 | 775.0 | 83:33 |
| 132 | DUMMY | -404.0 | 725.0 | 83:33 |
| 133 | DUMMY | -404.0 | 675.0 | 83:33 |
| 134 | DUMMY | -404.0 | 625.0 | 83:33 |
| 135 | DUMMY | -404.0 | 575.0 | 83:33 |
| 136 | DUMMY | -404.0 | 525.0 | 83:33 |
| 137 | DUMMY | -404.0 | 475.0 | 83:33 |
| 138 | DUMMY | -404.0 | 425.0 | 83:33 |
| 139 | DUMMY | -404.0 | 375.0 | 83:33 |
| 140 | DUMMY | -404.0 | 325.0 | 83:33 |
| 141 | DUMMY | -404.0 | 275.0 | 83:33 |
| 142 | DUMMY | -404.0 | 225.0 | 83:33 |
| 143 | DUMMY | -404.0 | 175.0 | 83:33 |
| 144 | DUMMY | -404.0 | 125.0 | 83:33 |
| 145 | DUMMY | -404.0 | 75.0 | 83:33 |
| 146 | DUMMY | -404.0 | 25.0 | 83:33 |
| 147 | DUMMY | -404.0 | -25.0 | 83:33 |
| 148 | DUMMY | -404.0 | -75.0 | 83:33 |
| 149 | DUMMY | -404.0 | -125.0 | 83:33 |
| 150 | DUMMY | -404.0 | -175.0 | 83:33 |

| PAD No. | PAD Name | (X:Y) [μm] | | |
|---------|----------|------------|---------|-----------|
| | | X | Y | Bump size |
| 151 | DUMMY | -404.0 | -225.0 | 83:33 |
| 152 | DUMMY | -404.0 | -275.0 | 83:33 |
| 153 | DUMMY | -404.0 | -325.0 | 83:33 |
| 154 | DUMMY | -404.0 | -375.0 | 83:33 |
| 155 | DUMMY | -404.0 | -425.0 | 83:33 |
| 156 | DUMMY | -404.0 | -475.0 | 83:33 |
| 157 | DUMMY | -404.0 | -525.0 | 83:33 |
| 158 | DUMMY | -404.0 | -575.0 | 83:33 |
| 159 | DUMMY | -404.0 | -625.0 | 83:33 |
| 160 | DUMMY | -404.0 | -675.0 | 83:33 |
| 161 | DUMMY | -404.0 | -725.0 | 83:33 |
| 162 | DUMMY | -404.0 | -775.0 | 83:33 |
| 163 | DUMMY | -404.0 | -825.0 | 83:33 |
| 164 | DUMMY | -404.0 | -875.0 | 83:33 |
| 165 | DUMMY | -404.0 | -925.0 | 83:33 |
| 166 | DUMMY | -404.0 | -975.0 | 83:33 |
| 167 | DUMMY | -404.0 | -1025.0 | 83:33 |
| 168 | DUMMY | -404.0 | -1075.0 | 83:33 |
| 169 | DUMMY | -404.0 | -1125.0 | 83:33 |
| 170 | DUMMY | -404.0 | -1175.0 | 83:33 |
| 171 | DUMMY | -404.0 | -1225.0 | 83:33 |
| 172 | DUMMY | -404.0 | -1275.0 | 83:33 |
| 173 | DUMMY | -404.0 | -1325.0 | 83:33 |
| 174 | DUMMY | -404.0 | -1375.0 | 83:33 |
| 175 | DUMMY | -404.0 | -1425.0 | 83:33 |
| 176 | DUMMY | -404.0 | -1475.0 | 83:33 |
| 177 | DUMMY | -404.0 | -1525.0 | 83:33 |
| 178 | DUMMY | -404.0 | -1575.0 | 83:33 |
| 179 | DUMMY | -404.0 | -1625.0 | 83:33 |
| 180 | DUMMY | -404.0 | -1675.0 | 83:33 |
| 181 | DUMMY | -404.0 | -1725.0 | 83:33 |
| 182 | DUMMY | -404.0 | -1775.0 | 83:33 |
| 183 | DUMMY | -404.0 | -1825.0 | 83:33 |
| 184 | DUMMY | -404.0 | -1875.0 | 83:33 |
| 185 | DUMMY | -404.0 | -1925.0 | 83:33 |
| 186 | DUMMY | -404.0 | -1975.0 | 83:33 |
| 187 | DUMMY | -404.0 | -2025.0 | 83:33 |
| 188 | DUMMY | -404.0 | -2075.0 | 83:33 |
| 189 | DUMMY | -404.0 | -2125.0 | 83:33 |
| 190 | DUMMY | -404.0 | -2175.0 | 83:33 |
| 191 | DUMMY | -404.0 | -2225.0 | 83:33 |
| 192 | DUMMY | -404.0 | -2275.0 | 83:33 |
| 193 | DUMMY | -404.0 | -2325.0 | 83:33 |
| 194 | DUMMY | -404.0 | -2375.0 | 83:33 |
| 195 | DUMMY | -404.0 | -2425.0 | 83:33 |
| 196 | DUMMY | -404.0 | -2475.0 | 83:33 |
| 197 | DUMMY | -404.0 | -2525.0 | 83:33 |
| 198 | DUMMY | -404.0 | -2575.0 | 83:33 |
| 199 | DUMMY | -404.0 | -2625.0 | 83:33 |
| 200 | DUMMY | -404.0 | -2675.0 | 83:33 |

Table 2-1 Pad Coordinate Bump size (3/7)

| PAD No. | PAD Name | (X:Y) [μm] | | |
|---------|----------|------------|---------|-----------|
| | | X | Y | Bump size |
| 201 | DUMMY | -404.0 | -2725.0 | 83:33 |
| 202 | DUMMY | -404.0 | -2775.0 | 83:33 |
| 203 | DUMMY | -404.0 | -2825.0 | 83:33 |
| 204 | DUMMY | -404.0 | -2875.0 | 83:33 |
| 205 | DUMMY | -404.0 | -2925.0 | 83:33 |
| 206 | DUMMY | -404.0 | -2975.0 | 83:33 |
| 207 | DUMMY | -404.0 | -3025.0 | 83:33 |
| 208 | DUMMY | -404.0 | -3075.0 | 83:33 |
| 209 | DUMMY | -404.0 | -3125.0 | 83:33 |
| 210 | DUMMY | -404.0 | -3175.0 | 83:33 |
| 211 | DUMMY | -404.0 | -3225.0 | 83:33 |
| 212 | DUMMY | -404.0 | -3275.0 | 83:33 |
| 213 | DUMMY | -404.0 | -3325.0 | 83:33 |
| 214 | DUMMY | -404.0 | -3375.0 | 83:33 |
| 215 | DUMMY | -404.0 | -3425.0 | 83:33 |
| 216 | DUMMY | -404.0 | -3475.0 | 83:33 |
| 217 | DUMMY | -404.0 | -3525.0 | 83:33 |
| 218 | DUMMY | -404.0 | -3575.0 | 83:33 |
| 219 | DUMMY | -404.0 | -3625.0 | 83:33 |
| 220 | DUMMY | -404.0 | -3675.0 | 83:33 |
| 221 | DUMMY | -404.0 | -3725.0 | 83:33 |
| 222 | DUMMY | -404.0 | -3775.0 | 83:33 |
| 223 | DUMMY | -404.0 | -3825.0 | 83:33 |
| 224 | DUMMY | -404.0 | -3875.0 | 83:33 |
| 225 | DUMMY | -404.0 | -3925.0 | 83:33 |
| 226 | DUMMY | -404.0 | -3975.0 | 83:33 |
| 227 | DUMMY | -404.0 | -4025.0 | 83:33 |
| 228 | DUMMY | -404.0 | -4075.0 | 83:33 |
| 229 | DUMMY | -404.0 | -4125.0 | 83:33 |
| 230 | DUMMY | -404.0 | -4175.0 | 83:33 |
| 231 | DUMMY | -404.0 | -4225.0 | 83:33 |
| 232 | DUMMY | -404.0 | -4275.0 | 83:33 |
| 233 | DUMMY | -404.0 | -4325.0 | 83:33 |
| 234 | DUMMY | -404.0 | -4375.0 | 83:33 |
| 235 | DUMMY | -404.0 | -4425.0 | 83:33 |
| 236 | DUMMY | -404.0 | -4475.0 | 83:33 |
| 237 | DUMMY | -404.0 | -4525.0 | 83:33 |
| 238 | DUMMY | -404.0 | -4575.0 | 83:33 |
| 239 | DUMMY | -404.0 | -4625.0 | 83:33 |
| 240 | DUMMY | -404.0 | -4675.0 | 83:33 |
| 241 | DUMMY | -404.0 | -4725.0 | 83:33 |
| 242 | DUMMY | -404.0 | -4775.0 | 83:33 |
| 243 | DUMMY | -404.0 | -4825.0 | 83:33 |
| 244 | DUMMY | -404.0 | -4875.0 | 83:33 |
| 245 | DUMMY | -404.0 | -4925.0 | 83:33 |
| 246 | DUMMY | -404.0 | -4975.0 | 83:33 |
| 247 | DUMMY | -404.0 | -5025.0 | 83:33 |
| 248 | DUMMY | -404.0 | -5075.0 | 83:33 |
| 249 | DUMMY | -404.0 | -5125.0 | 83:33 |
| 250 | DUMMY | -404.0 | -5175.0 | 83:33 |

| PAD No. | PAD Name | (X:Y) [μm] | | |
|---------|----------|------------|---------|-----------|
| | | X | Y | Bump size |
| 251 | DUMMY | -404.0 | -5225.0 | 83:33 |
| 252 | DUMMY | -404.0 | -5275.0 | 83:33 |
| 253 | DUMMY | -404.0 | -5325.0 | 83:33 |
| 254 | DUMMY | -404.0 | -5375.0 | 83:33 |
| 255 | DUMMY | -404.0 | -5425.0 | 83:33 |
| 256 | DUMMY | -404.0 | -5475.0 | 83:33 |
| 257 | DUMMY | -404.0 | -5525.0 | 83:33 |
| 258 | DUMMY | -404.0 | -5575.0 | 83:33 |
| 259 | DUMMY | -404.0 | -5625.0 | 83:33 |
| 260 | DUMMY | -404.0 | -5675.0 | 83:33 |
| 261 | DUMMY | -404.0 | -5725.0 | 83:33 |
| 262 | DUMMY | -404.0 | -5775.0 | 83:33 |
| 263 | DUMMY | -404.0 | -5825.0 | 83:33 |
| 264 | DUMMY | -404.0 | -5875.0 | 83:33 |
| 265 | DUMMY | -404.0 | -5925.0 | 83:33 |
| 266 | DUMMY | -404.0 | -5975.0 | 83:33 |
| 267 | DUMMY | -404.0 | -6025.0 | 83:33 |
| 268 | DUMMY | -404.0 | -6075.0 | 83:33 |
| 269 | DUMMY | -404.0 | -6125.0 | 83:33 |
| 270 | DUMMY | -404.0 | -6175.0 | 83:33 |
| 271 | DUMMY | -404.0 | -6225.0 | 83:33 |
| 272 | DUMMY | -404.0 | -6275.0 | 83:33 |
| 273 | DUMMY | -404.0 | -6325.0 | 83:33 |
| 274 | DUMMY | -404.0 | -6375.0 | 83:33 |
| 275 | DUMMY | -404.0 | -6425.0 | 83:33 |
| 276 | DUMMY | -404.0 | -6475.0 | 83:33 |
| 277 | DUMMY | -404.0 | -6525.0 | 83:33 |
| 278 | DUMMY | -404.0 | -6575.0 | 83:33 |
| 279 | DUMMY | -404.0 | -6625.0 | 83:33 |
| 280 | VDD2 | -404.0 | -6675.0 | 83:33 |
| 281 | VDD2 | -404.0 | -6725.0 | 83:33 |
| 282 | VDD2 | -404.0 | -6775.0 | 83:33 |
| 283 | VDD2 | -404.0 | -6825.0 | 83:33 |
| 284 | DUMMY | -404.0 | -6875.0 | 83:33 |
| 285 | VEE | -404.0 | -6925.0 | 83:33 |
| 286 | VEE | -404.0 | -6975.0 | 83:33 |
| 287 | VEE | -404.0 | -7025.0 | 83:33 |
| 288 | VEE | -404.0 | -7075.0 | 83:33 |
| 289 | DUMMY | -404.0 | -7125.0 | 83:33 |
| 290 | OEL | -404.0 | -7175.0 | 83:33 |
| 291 | OEL | -404.0 | -7225.0 | 83:33 |
| 292 | DUMMY | -404.0 | -7303.0 | 50:87 |
| 293 | DUMMY | -320.0 | -7879.0 | 87:50 |
| 294 | /AOL | -242.0 | -7778.0 | 33:83 |
| 295 | /AOL | -242.0 | -7879.0 | 33:83 |
| 296 | R,/LL | -187.0 | -7778.0 | 33:83 |
| 297 | R,/LL | -187.0 | -7879.0 | 33:83 |
| 298 | VSS | -132.0 | -7778.0 | 33:83 |
| 299 | VSS | -132.0 | -7879.0 | 33:83 |
| 300 | CLKL | -77.0 | -7778.0 | 33:83 |

Table 2-1 Pad Coordinate Bump size (4/7)

| (X:Y) [μm] | | | | |
|------------|----------|-------|---------|-----------|
| PAD No. | PAD Name | X | Y | Bump size |
| 301 | CLKL | -77.0 | -7879.0 | 33:83 |
| 302 | PASSL | -22.0 | -7778.0 | 33:83 |
| 303 | PASSL | -22.0 | -7879.0 | 33:83 |
| 304 | STVL | 33.0 | -7778.0 | 33:83 |
| 305 | STVL | 33.0 | -7879.0 | 33:83 |
| 306 | VSS | 88.0 | -7778.0 | 33:83 |
| 307 | VSS | 88.0 | -7879.0 | 33:83 |
| 308 | MODE | 143.0 | -7778.0 | 33:83 |
| 309 | MODE | 143.0 | -7879.0 | 33:83 |
| 310 | DUMMY | 221.0 | -7879.0 | 87:50 |
| 311 | DUMMY | 312.0 | -7303.0 | 50:87 |
| 312 | VDD1 | 312.0 | -7225.0 | 83:33 |
| 313 | VDD1 | 312.0 | -7175.0 | 83:33 |
| 314 | DUMMY | 312.0 | -7125.0 | 83:33 |
| 315 | VEE | 312.0 | -7075.0 | 83:33 |
| 316 | VEE | 312.0 | -7025.0 | 83:33 |
| 317 | VEE | 312.0 | -6975.0 | 83:33 |
| 318 | DUMMY | 312.0 | -6925.0 | 83:33 |
| 319 | VDD2 | 312.0 | -6875.0 | 83:33 |
| 320 | VDD2 | 312.0 | -6825.0 | 83:33 |
| 321 | DUMMY | 312.0 | -6775.0 | 83:33 |
| 322 | O264 | 312.0 | -6725.0 | 83:33 |
| 323 | O263 | 312.0 | -6675.0 | 83:33 |
| 324 | O262 | 312.0 | -6625.0 | 83:33 |
| 325 | O261 | 312.0 | -6575.0 | 83:33 |
| 326 | O260 | 312.0 | -6525.0 | 83:33 |
| 327 | O259 | 312.0 | -6475.0 | 83:33 |
| 328 | O258 | 312.0 | -6425.0 | 83:33 |
| 329 | O257 | 312.0 | -6375.0 | 83:33 |
| 330 | O256 | 312.0 | -6325.0 | 83:33 |
| 331 | O255 | 312.0 | -6275.0 | 83:33 |
| 332 | O254 | 312.0 | -6225.0 | 83:33 |
| 333 | O253 | 312.0 | -6175.0 | 83:33 |
| 334 | O252 | 312.0 | -6125.0 | 83:33 |
| 335 | O251 | 312.0 | -6075.0 | 83:33 |
| 336 | O250 | 312.0 | -6025.0 | 83:33 |
| 337 | O249 | 312.0 | -5975.0 | 83:33 |
| 338 | O248 | 312.0 | -5925.0 | 83:33 |
| 339 | O247 | 312.0 | -5875.0 | 83:33 |
| 340 | O246 | 312.0 | -5825.0 | 83:33 |
| 341 | O245 | 312.0 | -5775.0 | 83:33 |
| 342 | O244 | 312.0 | -5725.0 | 83:33 |
| 343 | O243 | 312.0 | -5675.0 | 83:33 |
| 344 | O242 | 312.0 | -5625.0 | 83:33 |
| 345 | O241 | 312.0 | -5575.0 | 83:33 |
| 346 | O240 | 312.0 | -5525.0 | 83:33 |
| 347 | O239 | 312.0 | -5475.0 | 83:33 |
| 348 | O238 | 312.0 | -5425.0 | 83:33 |
| 349 | O237 | 312.0 | -5375.0 | 83:33 |
| 350 | O236 | 312.0 | -5325.0 | 83:33 |

| (X:Y) [μm] | | | | |
|------------|----------|-------|---------|-----------|
| PAD No. | PAD Name | X | Y | Bump size |
| 351 | O235 | 312.0 | -5275.0 | 83:33 |
| 352 | O234 | 312.0 | -5225.0 | 83:33 |
| 353 | O233 | 312.0 | -5175.0 | 83:33 |
| 354 | O232 | 312.0 | -5125.0 | 83:33 |
| 355 | O231 | 312.0 | -5075.0 | 83:33 |
| 356 | O230 | 312.0 | -5025.0 | 83:33 |
| 357 | O229 | 312.0 | -4975.0 | 83:33 |
| 358 | O228 | 312.0 | -4925.0 | 83:33 |
| 359 | O227 | 312.0 | -4875.0 | 83:33 |
| 360 | O226 | 312.0 | -4825.0 | 83:33 |
| 361 | O225 | 312.0 | -4775.0 | 83:33 |
| 362 | O224 | 312.0 | -4725.0 | 83:33 |
| 363 | O223 | 312.0 | -4675.0 | 83:33 |
| 364 | O222 | 312.0 | -4625.0 | 83:33 |
| 365 | O221 | 312.0 | -4575.0 | 83:33 |
| 366 | O220 | 312.0 | -4525.0 | 83:33 |
| 367 | O219 | 312.0 | -4475.0 | 83:33 |
| 368 | O218 | 312.0 | -4425.0 | 83:33 |
| 369 | O217 | 312.0 | -4375.0 | 83:33 |
| 370 | O216 | 312.0 | -4325.0 | 83:33 |
| 371 | O215 | 312.0 | -4275.0 | 83:33 |
| 372 | O214 | 312.0 | -4225.0 | 83:33 |
| 373 | O213 | 312.0 | -4175.0 | 83:33 |
| 374 | O212 | 312.0 | -4125.0 | 83:33 |
| 375 | O211 | 312.0 | -4075.0 | 83:33 |
| 376 | O210 | 312.0 | -4025.0 | 83:33 |
| 377 | O209 | 312.0 | -3975.0 | 83:33 |
| 378 | O208 | 312.0 | -3925.0 | 83:33 |
| 379 | O207 | 312.0 | -3875.0 | 83:33 |
| 380 | O206 | 312.0 | -3825.0 | 83:33 |
| 381 | O205 | 312.0 | -3775.0 | 83:33 |
| 382 | O204 | 312.0 | -3725.0 | 83:33 |
| 383 | O203 | 312.0 | -3675.0 | 83:33 |
| 384 | O202 | 312.0 | -3625.0 | 83:33 |
| 385 | O201 | 312.0 | -3575.0 | 83:33 |
| 386 | O200 | 312.0 | -3525.0 | 83:33 |
| 387 | O199 | 312.0 | -3475.0 | 83:33 |
| 388 | O198 | 312.0 | -3425.0 | 83:33 |
| 389 | O197 | 312.0 | -3375.0 | 83:33 |
| 390 | O196 | 312.0 | -3325.0 | 83:33 |
| 391 | O195 | 312.0 | -3275.0 | 83:33 |
| 392 | O194 | 312.0 | -3225.0 | 83:33 |
| 393 | O193 | 312.0 | -3175.0 | 83:33 |
| 394 | O192 | 312.0 | -3125.0 | 83:33 |
| 395 | O191 | 312.0 | -3075.0 | 83:33 |
| 396 | O190 | 312.0 | -3025.0 | 83:33 |
| 397 | O189 | 312.0 | -2975.0 | 83:33 |
| 398 | O188 | 312.0 | -2925.0 | 83:33 |
| 399 | O187 | 312.0 | -2875.0 | 83:33 |
| 400 | O186 | 312.0 | -2825.0 | 83:33 |

Table 2-1 Pad Coordinate Bump size (5/7)

| PAD No. | PAD Name | (X:Y) [μm] | | Bump size |
|---------|----------|------------|---------|-----------|
| | | X | Y | |
| 401 | O185 | 312.0 | -2775.0 | 83:33 |
| 402 | O184 | 312.0 | -2725.0 | 83:33 |
| 403 | O183 | 312.0 | -2675.0 | 83:33 |
| 404 | O182 | 312.0 | -2625.0 | 83:33 |
| 405 | O181 | 312.0 | -2575.0 | 83:33 |
| 406 | O180 | 312.0 | -2525.0 | 83:33 |
| 407 | O179 | 312.0 | -2475.0 | 83:33 |
| 408 | O178 | 312.0 | -2425.0 | 83:33 |
| 409 | O177 | 312.0 | -2375.0 | 83:33 |
| 410 | O176 | 312.0 | -2325.0 | 83:33 |
| 411 | O175 | 312.0 | -2275.0 | 83:33 |
| 412 | O174 | 312.0 | -2225.0 | 83:33 |
| 413 | O173 | 312.0 | -2175.0 | 83:33 |
| 414 | O172 | 312.0 | -2125.0 | 83:33 |
| 415 | O171 | 312.0 | -2075.0 | 83:33 |
| 416 | O170 | 312.0 | -2025.0 | 83:33 |
| 417 | O169 | 312.0 | -1975.0 | 83:33 |
| 418 | O168 | 312.0 | -1925.0 | 83:33 |
| 419 | O167 | 312.0 | -1875.0 | 83:33 |
| 420 | O166 | 312.0 | -1825.0 | 83:33 |
| 421 | O165 | 312.0 | -1775.0 | 83:33 |
| 422 | O164 | 312.0 | -1725.0 | 83:33 |
| 423 | O163 | 312.0 | -1675.0 | 83:33 |
| 424 | O162 | 312.0 | -1625.0 | 83:33 |
| 425 | O161 | 312.0 | -1575.0 | 83:33 |
| 426 | O160 | 312.0 | -1525.0 | 83:33 |
| 427 | O159 | 312.0 | -1475.0 | 83:33 |
| 428 | O158 | 312.0 | -1425.0 | 83:33 |
| 429 | O157 | 312.0 | -1375.0 | 83:33 |
| 430 | O156 | 312.0 | -1325.0 | 83:33 |
| 431 | O155 | 312.0 | -1275.0 | 83:33 |
| 432 | O154 | 312.0 | -1225.0 | 83:33 |
| 433 | O153 | 312.0 | -1175.0 | 83:33 |
| 434 | O152 | 312.0 | -1125.0 | 83:33 |
| 435 | O151 | 312.0 | -1075.0 | 83:33 |
| 436 | O150 | 312.0 | -1025.0 | 83:33 |
| 437 | O149 | 312.0 | -975.0 | 83:33 |
| 438 | O148 | 312.0 | -925.0 | 83:33 |
| 439 | O147 | 312.0 | -875.0 | 83:33 |
| 440 | O146 | 312.0 | -825.0 | 83:33 |
| 441 | O145 | 312.0 | -775.0 | 83:33 |
| 442 | O144 | 312.0 | -725.0 | 83:33 |
| 443 | O143 | 312.0 | -675.0 | 83:33 |
| 444 | O142 | 312.0 | -625.0 | 83:33 |
| 445 | O141 | 312.0 | -575.0 | 83:33 |
| 446 | O140 | 312.0 | -525.0 | 83:33 |
| 447 | O139 | 312.0 | -475.0 | 83:33 |
| 448 | O138 | 312.0 | -425.0 | 83:33 |
| 449 | O137 | 312.0 | -375.0 | 83:33 |
| 450 | O136 | 312.0 | -325.0 | 83:33 |

| PAD No. | PAD Name | (X:Y) [μm] | | Bump size |
|---------|----------|------------|--------|-----------|
| | | X | Y | |
| 451 | O135 | 312.0 | -275.0 | 83:33 |
| 452 | O134 | 312.0 | -225.0 | 83:33 |
| 453 | O133 | 312.0 | -175.0 | 83:33 |
| 454 | O132 | 312.0 | -125.0 | 83:33 |
| 455 | DUMMY | 312.0 | -75.0 | 83:33 |
| 456 | DUMMY | 312.0 | -25.0 | 83:33 |
| 457 | DUMMY | 312.0 | 25.0 | 83:33 |
| 458 | DUMMY | 312.0 | 75.0 | 83:33 |
| 459 | DUMMY | 312.0 | 125.0 | 83:33 |
| 460 | O131 | 312.0 | 175.0 | 83:33 |
| 461 | O130 | 312.0 | 225.0 | 83:33 |
| 462 | O129 | 312.0 | 275.0 | 83:33 |
| 463 | O128 | 312.0 | 325.0 | 83:33 |
| 464 | O127 | 312.0 | 375.0 | 83:33 |
| 465 | O126 | 312.0 | 425.0 | 83:33 |
| 466 | O125 | 312.0 | 475.0 | 83:33 |
| 467 | O124 | 312.0 | 525.0 | 83:33 |
| 468 | O123 | 312.0 | 575.0 | 83:33 |
| 469 | O122 | 312.0 | 625.0 | 83:33 |
| 470 | O121 | 312.0 | 675.0 | 83:33 |
| 471 | O120 | 312.0 | 725.0 | 83:33 |
| 472 | O119 | 312.0 | 775.0 | 83:33 |
| 473 | O118 | 312.0 | 825.0 | 83:33 |
| 474 | O117 | 312.0 | 875.0 | 83:33 |
| 475 | O116 | 312.0 | 925.0 | 83:33 |
| 476 | O115 | 312.0 | 975.0 | 83:33 |
| 477 | O114 | 312.0 | 1025.0 | 83:33 |
| 478 | O113 | 312.0 | 1075.0 | 83:33 |
| 479 | O112 | 312.0 | 1125.0 | 83:33 |
| 480 | O111 | 312.0 | 1175.0 | 83:33 |
| 481 | O110 | 312.0 | 1225.0 | 83:33 |
| 482 | O109 | 312.0 | 1275.0 | 83:33 |
| 483 | O108 | 312.0 | 1325.0 | 83:33 |
| 484 | O107 | 312.0 | 1375.0 | 83:33 |
| 485 | O106 | 312.0 | 1425.0 | 83:33 |
| 486 | O105 | 312.0 | 1475.0 | 83:33 |
| 487 | O104 | 312.0 | 1525.0 | 83:33 |
| 488 | O103 | 312.0 | 1575.0 | 83:33 |
| 489 | O102 | 312.0 | 1625.0 | 83:33 |
| 490 | O101 | 312.0 | 1675.0 | 83:33 |
| 491 | O100 | 312.0 | 1725.0 | 83:33 |
| 492 | O99 | 312.0 | 1775.0 | 83:33 |
| 493 | O98 | 312.0 | 1825.0 | 83:33 |
| 494 | O97 | 312.0 | 1875.0 | 83:33 |
| 495 | O96 | 312.0 | 1925.0 | 83:33 |
| 496 | O95 | 312.0 | 1975.0 | 83:33 |
| 497 | O94 | 312.0 | 2025.0 | 83:33 |
| 498 | O93 | 312.0 | 2075.0 | 83:33 |
| 499 | O92 | 312.0 | 2125.0 | 83:33 |
| 500 | O91 | 312.0 | 2175.0 | 83:33 |

Table 2-1 Pad Coordinate Bump size (6/7)

| PAD No. | PAD Name | (X:Y) [μm] | | |
|---------|----------|------------|--------|-----------|
| | | X | Y | Bump size |
| 501 | O90 | 312.0 | 2225.0 | 83:33 |
| 502 | O89 | 312.0 | 2275.0 | 83:33 |
| 503 | O88 | 312.0 | 2325.0 | 83:33 |
| 504 | O87 | 312.0 | 2375.0 | 83:33 |
| 505 | O86 | 312.0 | 2425.0 | 83:33 |
| 506 | O85 | 312.0 | 2475.0 | 83:33 |
| 507 | O84 | 312.0 | 2525.0 | 83:33 |
| 508 | O83 | 312.0 | 2575.0 | 83:33 |
| 509 | O82 | 312.0 | 2625.0 | 83:33 |
| 510 | O81 | 312.0 | 2675.0 | 83:33 |
| 511 | O80 | 312.0 | 2725.0 | 83:33 |
| 512 | O79 | 312.0 | 2775.0 | 83:33 |
| 513 | O78 | 312.0 | 2825.0 | 83:33 |
| 514 | O77 | 312.0 | 2875.0 | 83:33 |
| 515 | O76 | 312.0 | 2925.0 | 83:33 |
| 516 | O75 | 312.0 | 2975.0 | 83:33 |
| 517 | O74 | 312.0 | 3025.0 | 83:33 |
| 518 | O73 | 312.0 | 3075.0 | 83:33 |
| 519 | O72 | 312.0 | 3125.0 | 83:33 |
| 520 | O71 | 312.0 | 3175.0 | 83:33 |
| 521 | O70 | 312.0 | 3225.0 | 83:33 |
| 522 | O69 | 312.0 | 3275.0 | 83:33 |
| 523 | O68 | 312.0 | 3325.0 | 83:33 |
| 524 | O67 | 312.0 | 3375.0 | 83:33 |
| 525 | O66 | 312.0 | 3425.0 | 83:33 |
| 526 | O65 | 312.0 | 3475.0 | 83:33 |
| 527 | O64 | 312.0 | 3525.0 | 83:33 |
| 528 | O63 | 312.0 | 3575.0 | 83:33 |
| 529 | O62 | 312.0 | 3625.0 | 83:33 |
| 530 | O61 | 312.0 | 3675.0 | 83:33 |
| 531 | O60 | 312.0 | 3725.0 | 83:33 |
| 532 | O59 | 312.0 | 3775.0 | 83:33 |
| 533 | O58 | 312.0 | 3825.0 | 83:33 |
| 534 | O57 | 312.0 | 3875.0 | 83:33 |
| 535 | O56 | 312.0 | 3925.0 | 83:33 |
| 536 | O55 | 312.0 | 3975.0 | 83:33 |
| 537 | O54 | 312.0 | 4025.0 | 83:33 |
| 538 | O53 | 312.0 | 4075.0 | 83:33 |
| 539 | O52 | 312.0 | 4125.0 | 83:33 |
| 540 | O51 | 312.0 | 4175.0 | 83:33 |
| 541 | O50 | 312.0 | 4225.0 | 83:33 |
| 542 | O49 | 312.0 | 4275.0 | 83:33 |
| 543 | O48 | 312.0 | 4325.0 | 83:33 |
| 544 | O47 | 312.0 | 4375.0 | 83:33 |
| 545 | O46 | 312.0 | 4425.0 | 83:33 |
| 546 | O45 | 312.0 | 4475.0 | 83:33 |
| 547 | O44 | 312.0 | 4525.0 | 83:33 |
| 548 | O43 | 312.0 | 4575.0 | 83:33 |
| 549 | O42 | 312.0 | 4625.0 | 83:33 |
| 550 | O41 | 312.0 | 4675.0 | 83:33 |

| PAD No. | PAD Name | (X:Y) [μm] | | |
|---------|----------|------------|--------|-----------|
| | | X | Y | Bump size |
| 551 | O40 | 312.0 | 4725.0 | 83:33 |
| 552 | O39 | 312.0 | 4775.0 | 83:33 |
| 553 | O38 | 312.0 | 4825.0 | 83:33 |
| 554 | O37 | 312.0 | 4875.0 | 83:33 |
| 555 | O36 | 312.0 | 4925.0 | 83:33 |
| 556 | O35 | 312.0 | 4975.0 | 83:33 |
| 557 | O34 | 312.0 | 5025.0 | 83:33 |
| 558 | O33 | 312.0 | 5075.0 | 83:33 |
| 559 | O32 | 312.0 | 5125.0 | 83:33 |
| 560 | O31 | 312.0 | 5175.0 | 83:33 |
| 561 | O30 | 312.0 | 5225.0 | 83:33 |
| 562 | O29 | 312.0 | 5275.0 | 83:33 |
| 563 | O28 | 312.0 | 5325.0 | 83:33 |
| 564 | O27 | 312.0 | 5375.0 | 83:33 |
| 565 | O26 | 312.0 | 5425.0 | 83:33 |
| 566 | O25 | 312.0 | 5475.0 | 83:33 |
| 567 | O24 | 312.0 | 5525.0 | 83:33 |
| 568 | O23 | 312.0 | 5575.0 | 83:33 |
| 569 | O22 | 312.0 | 5625.0 | 83:33 |
| 570 | O21 | 312.0 | 5675.0 | 83:33 |
| 571 | O20 | 312.0 | 5725.0 | 83:33 |
| 572 | O19 | 312.0 | 5775.0 | 83:33 |
| 573 | O18 | 312.0 | 5825.0 | 83:33 |
| 574 | O17 | 312.0 | 5875.0 | 83:33 |
| 575 | O16 | 312.0 | 5925.0 | 83:33 |
| 576 | O15 | 312.0 | 5975.0 | 83:33 |
| 577 | O14 | 312.0 | 6025.0 | 83:33 |
| 578 | O13 | 312.0 | 6075.0 | 83:33 |
| 579 | O12 | 312.0 | 6125.0 | 83:33 |
| 580 | O11 | 312.0 | 6175.0 | 83:33 |
| 581 | O10 | 312.0 | 6225.0 | 83:33 |
| 582 | O9 | 312.0 | 6275.0 | 83:33 |
| 583 | O8 | 312.0 | 6325.0 | 83:33 |
| 584 | O7 | 312.0 | 6375.0 | 83:33 |
| 585 | O6 | 312.0 | 6425.0 | 83:33 |
| 586 | O5 | 312.0 | 6475.0 | 83:33 |
| 587 | O4 | 312.0 | 6525.0 | 83:33 |
| 588 | O3 | 312.0 | 6575.0 | 83:33 |
| 589 | O2 | 312.0 | 6625.0 | 83:33 |
| 590 | O1 | 312.0 | 6675.0 | 83:33 |
| 591 | O0 | 312.0 | 6725.0 | 83:33 |
| 592 | DUMMY | 312.0 | 6775.0 | 83:33 |
| 593 | VDD2 | 312.0 | 6825.0 | 83:33 |
| 594 | VDD2 | 312.0 | 6875.0 | 83:33 |
| 595 | DUMMY | 312.0 | 6925.0 | 83:33 |
| 596 | VEE | 312.0 | 6975.0 | 83:33 |
| 597 | VEE | 312.0 | 7025.0 | 83:33 |
| 598 | VEE | 312.0 | 7075.0 | 83:33 |
| 599 | DUMMY | 312.0 | 7125.0 | 83:33 |
| 600 | VDD1 | 312.0 | 7175.0 | 83:33 |

Table 2-1 Pad Coordinate Bump size (7/7)

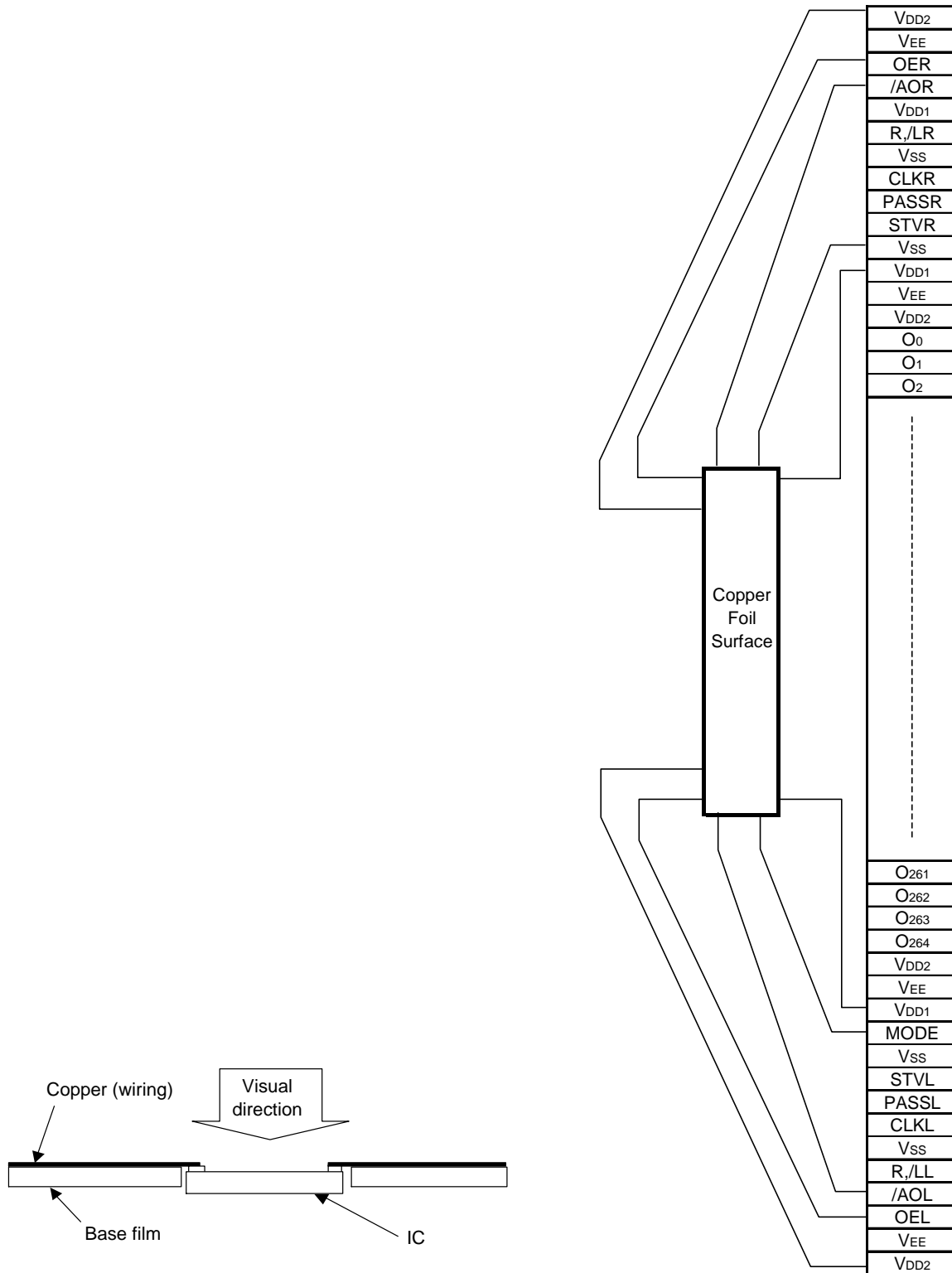
(X:Y) [μ m]

| PAD No. | PAD Name | X | Y | Bump size |
|---------|------------------|--------|--------|-----------|
| 601 | V _{DD1} | 312.0 | 7225.0 | 83:33 |
| 602 | DUMMY | 312.0 | 7303.0 | 50:87 |
| 603 | DUMMY | 221.0 | 7879.0 | 87:50 |
| 604 | V _{SS} | 143.0 | 7778.0 | 33:83 |
| 605 | V _{SS} | 143.0 | 7879.0 | 33:83 |
| 606 | STVR | 88.0 | 7778.0 | 33:83 |
| 607 | STVR | 88.0 | 7879.0 | 33:83 |
| 608 | PASSR | 33.0 | 7778.0 | 33:83 |
| 609 | PASSR | 33.0 | 7879.0 | 33:83 |
| 610 | CLKR | -22.0 | 7778.0 | 33:83 |
| 611 | CLKR | -22.0 | 7879.0 | 33:83 |
| 612 | V _{SS} | -77.0 | 7778.0 | 33:83 |
| 613 | V _{SS} | -77.0 | 7879.0 | 33:83 |
| 614 | R,/LR | -132.0 | 7778.0 | 33:83 |
| 615 | R,/LR | -132.0 | 7879.0 | 33:83 |
| 616 | V _{DD1} | -187.0 | 7778.0 | 33:83 |
| 617 | V _{DD1} | -187.0 | 7879.0 | 33:83 |
| 618 | /AOR | -242.0 | 7778.0 | 33:83 |
| 619 | /AOR | -242.0 | 7879.0 | 33:83 |
| 620 | DUMMY | -320.0 | 7879.0 | 87:50 |

Bump Specs (Standard reference value)

| Parameter | Specifications |
|-------------------------------------|-------------------------|
| Bump size tolerance | $\pm 5 \mu\text{m}$ |
| Bump height (design center value) | $15 \mu\text{m}$ |
| Bump height tolerance (within lot) | $\pm 4 \mu\text{m}$ |
| Bump height tolerance (within chip) | Range : $3 \mu\text{m}$ |
| Bump hardness | $50 \pm 20 \text{ Hv}$ |

2.2 PIN CONFIGURATION : μPD16707N-xxx (Copper foil surface, face-up)



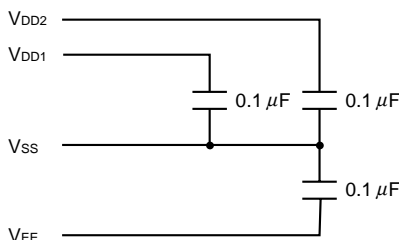
Remark This figure does not specify the TCP package.

3. PIN FUNCTIONS

| Pin Symbol | Pin Name | I/O | Description |
|------------------------------------|----------------------------------------------|--------|-----------------------------------------------------------------------------------------------------------------------------------------------------------------------------------------------------------------------------------------------------------------------------------------------------------------------------------------------------------------------------------------------------------------------------------------------------------------------------------------------------|
| O ₁ to O ₂₆₃ | Driver output | Output | These pins output scan signals that drive the vertical direction (gate lines) of a TFT-LCD. The output signals change in synchronization with the rising edge of shift clock CLK. The driver output amplitude is V _{DD2} to V _{EE} . |
| O ₀ , O ₂₆₄ | Driver output | Output | The signal of V _{EE} level is outputted by fixation. |
| R,/LR, R,/LL | Shift direction control | Input | The shift direction control pin of shift register. The shift directions of shift register are as follows. R,/LR, R,/LL = H : right shift : STVR → O ₁ → O ₂₆₃ → STVL R,/LR, R,/LL = L : left shift : STVL → O ₂₆₃ → O ₁ → STVR R,/LR and R,/LL are connected inside IC. |
| STVR, STVL | Start pulse input/output | I/O | This is the I/O of the internal shift register. The start pulse is read at the rising edge of shift clock CLK (CLKR,CLKL), and scan signals are output from the driver output pins. The input level is a V _{DD1} to V _{SS} (logic level). When in MODE = H, the start pulse is output at the falling edge of the 263rd clock of shift clock CLK, and is cleared at the falling edge of the 264th clock. The output level is V _{DD1} to V _{SS} (logic level). |
| CLKR, CLKL | Shift clock input | Input | This pin inputs a shift clock to the internal shift register. The shift operation is performed in synchronization with the rising edge of this input. CLKR and CLKL are connected inside IC. |
| OER,OEL | Output enable input | Input | When this pin goes high level, the driver output is fixed to V _{EE} level. The shift register is not cleared. CLK is asynchronous in the clock. OER and OEL are connected inside IC. |
| /AOR, /AOL | All-on control | Input | When this pin goes low level, all driver output = V _{DD2} level. The shift register is not cleared. This pin has priority over OER,OEL. This pin is pulled up to V _{DD1} power supply inside IC. CLK is asynchronous in the clock. /AOR and /AOL are connected inside IC. |
| MODE | Selection of Number of outputs | Input | MODE = V _{DD1} or open: 263 outputs MODE = V _{SS} : 256 outputs (Driver pins O ₁₂₉ to O ₁₃₅ are invalid.) Input level is V _{DD1} to V _{SS} (logic level) This pin is pulled up to V _{DD1} power supply inside IC. |
| PASSR, PASSL | Pass line | Input | PASSR and PASSL are connected inside IC. |
| V _{DD1} | Logic power supply | – | 2.3 to 3.6 V |
| V _{DD2} | Driver positive power supply | – | 15 to 25 V. The driver output: high level |
| V _{SS} | Logic ground | – | Connect this pin to the ground of the system. |
| V _{EE} | Negative Power supply for internal operation | – | –15 to –5 V. The driver output: low level |
| DUMMY ^{Note} | Dummy | – | No dummy pins are connected with other pins inside IC. |

Note DUMMY pins are adapted only for chip product. (There is no DUMMY pin in TCP product.)

- Cautions**
1. To prevent latch-up, turn on power to V_{DD1} → logic input → V_{EE} → V_{DD2} in this order. Turn off power in the reverse order. These power up/down sequence must be observed also during transition period.
 2. Insert a capacitor of about 0.1 μF between each power line, as shown below, to secure noise margin such as V_{IH} and V_{IL}.

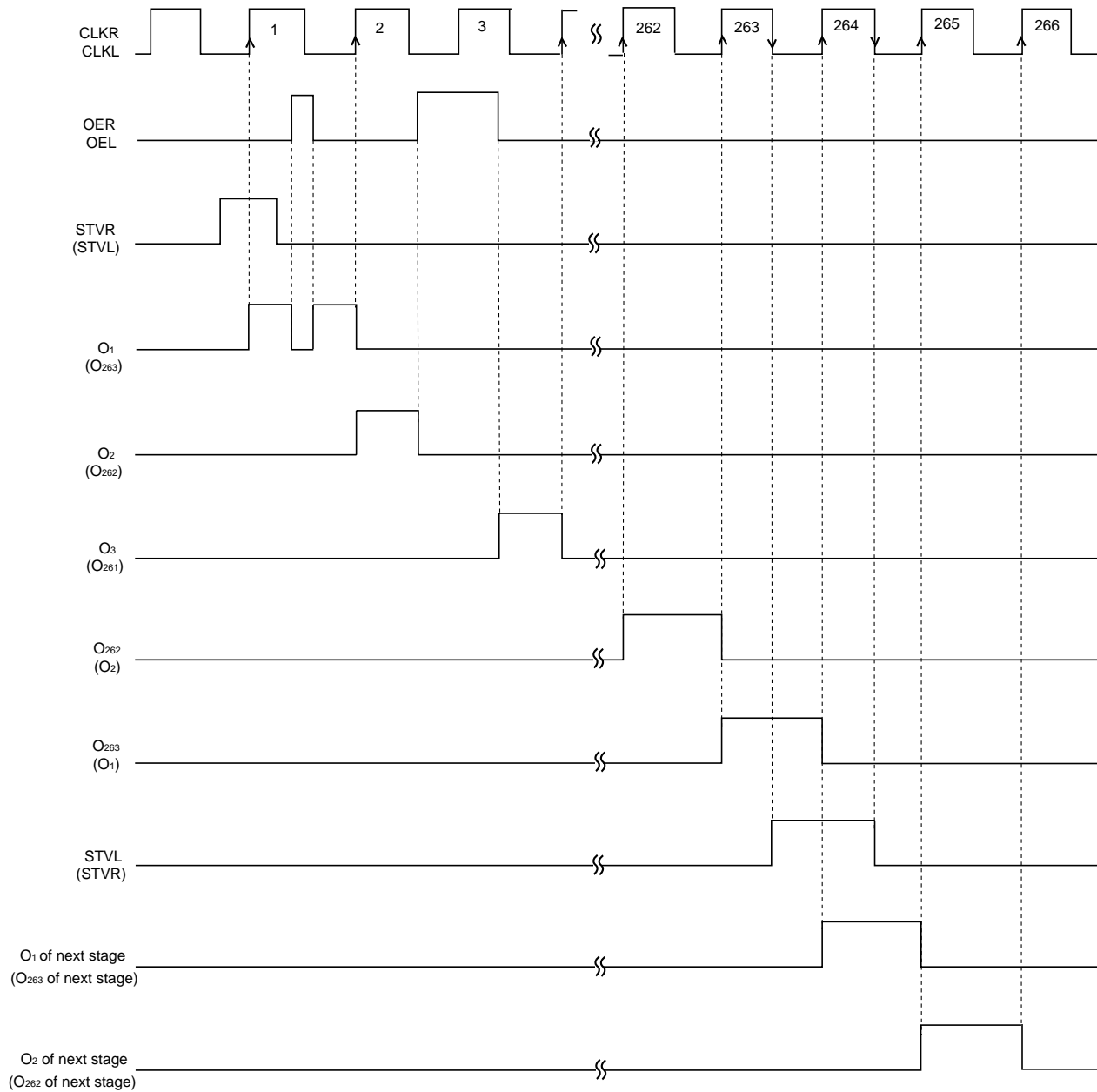


4. RELATIONS OF ENABLE INPUT AND OUTPUT TERMINAL

Switching is possible for 263/256 with μ PD16707 by the MODE pin.

| MODE = H or open | MODE = L |
|------------------|------------------------------------|
| 263 out Mode | 256 out Mode |
| O ₁ | O ₁ |
| O ₂ | O ₂ |
| O ₃ | O ₃ |
| O ₄ | O ₄ |
| O ₅ | O ₅ |
| O ₆ | O ₆ |
| ↓ | ↓ |
| O ₁₂₇ | O ₁₂₇ |
| O ₁₂₈ | O ₁₂₈ |
| O ₁₂₉ | V _{OUT} = V _{EE} |
| O ₁₃₀ | V _{OUT} = V _{EE} |
| O ₁₃₁ | V _{OUT} = V _{EE} |
| O ₁₃₂ | V _{OUT} = V _{EE} |
| O ₁₃₃ | V _{OUT} = V _{EE} |
| O ₁₃₄ | V _{OUT} = V _{EE} |
| O ₁₃₅ | V _{OUT} = V _{EE} |
| O ₁₃₆ | O ₁₃₆ |
| O ₁₃₇ | O ₁₃₇ |
| ↓ | ↓ |
| O ₂₅₉ | O ₂₅₉ |
| O ₂₆₀ | O ₂₆₀ |
| O ₂₆₁ | O ₂₆₁ |
| O ₂₆₂ | O ₂₆₂ |
| O ₂₆₃ | O ₂₆₃ |

5. TIMING CHART (R,/LR = R,/LL = H, MODE = H, /AOR = /AOL = H)



Remark The signal name in parenthesis is it at the time of R,/LR = R,/LL = L.

6. ELECTRICAL SPECIFICATIONS

Absolute Maximum Ratings (T_A = 25°C, V_{SS} = 0 V)

| Parameter | Symbol | Rating | Unit |
|--------------------------------------------|---------------------------------|--------------------------------|------|
| Logic Supply Voltage | V _{DD1} | -0.5 to +7.0 | V |
| Driver Positive Supply Voltage | V _{DD2} | -0.5 to +28 | V |
| Power Supply Voltage | V _{DD2-V_{EE}} | -0.5 to +42 | V |
| Internal Operation Negative Supply Voltage | V _{EE} | -16 to + 0.5 | V |
| Input Voltage | V _I | -0.5 to V _{DD1} + 0.5 | V |
| Operating Ambient Temperature | T _A | -20 to +75 | °C |
| Storage Temperature | T _{stg} | -55 to +125 | °C |

Caution Product qualify may suffer if the absolute maximum rating is exceeded even momentarily for any parameter. That is, the absolute maximum ratings are rated values at which the product is on the verge of suffering physical damage, and therefore the product must be used under conditions that ensure that the absolute maximum ratings are not exceeded.

Recommended Operating Range (T_A = -20 to +75°C, V_{SS} = 0 V)

| Parameter | Symbol | MIN. | TYP. | MAX. | Unit |
|--------------------------------------------|---------------------------------|------|------|------|------|
| Logic Supply Voltage | V _{DD1} | 2.3 | 3.0 | 3.6 | V |
| Driver Positive Supply Voltage | V _{DD2} | 15 | 23 | 25 | V |
| Internal Operation Negative Supply Voltage | V _{EE} | -15 | -10 | -5.0 | V |
| Power Supply Voltage | V _{DD2-V_{EE}} | 20 | 33 | 40 | V |
| Clock Frequency | f _{CLK} | | | 500 | kHz |

Electrical Characteristics (T_A = -20 to +75°C, V_{DD1} = 2.3V to 3.6V, V_{DD2} = 23 V, V_{EE} = -10 V, V_{SS} = 0 V)

| Parameter | Symbol | Condition | MIN. | TYP. ^{Note} | MAX. | Unit |
|---------------------------------|------------------|------------------------------------------------------------------------------------------------------|------------------------|----------------------|-----------------------|------|
| High level Input Voltage | V _{IH} | CLKR, CLKL, STVR, STVL, | 0.8 V _{DD1} | | V _{DD1} | V |
| Low level Input Voltage | V _{IL} | R ₁ /LR, R ₂ /LL, OER, OEL, MODE | V _{SS} | | 0.2 V _{DD1} | V |
| High level Output Voltage | V _{OH} | STVR (STVL), I _{OH} = -40 μA | V _{DD1} - 0.4 | | V _{DD1} | V |
| Low level Output Voltage | V _{OL} | STVR (STVL), I _{OL} = +40 μA | V _{SS} | | V _{SS} + 0.4 | V |
| LCD Driver Output ON Resistance | R _{ON} | V _{OUT} = V _{EE} + 1.0 V or V _{DD2} - 1.0 V | | 0.3 | 1.0 | kΩ |
| Pull-up Resistance | R _{PU} | V _{DD1} = 3.0 V, /AOR, /AOL, MODE | 10 | 50 | 100 | kΩ |
| Input Leak Current | I _{IL} | V _I = 0 V or 3.6 V, except for /AOR, /AOL, MODE | | | ±1.0 | μA |
| Static Current Dissipation | I _{DD1} | V _{DD1} , f _{CLK} = 50 kHz, OER = OEL = L, f _{STV} = 60 Hz, no load | | 20 | 200 | μA |
| | I _{DD2} | V _{DD2} , f _{CLK} = 50 kHz, OER = OEL = L, f _{STV} = 60 Hz, no load | | 10 | 100 | μA |
| | I _{EE} | V _{EE} , f _{CLK} = 50 kHz, OER = OEL = L, f _{STV} = 60 Hz, no load | -300 | -30 | | μA |

Remark STV : STVR (STVL)

Note The TYP.value refers to the measured values in V_{DD1} = 3.0 V, T_A = 25°C.

Switching Characteristics (T_A = -20 to +75°C, V_{DD1} = 2.3V to 3.6V, V_{DD2} = 23 V, V_{EE} = -10 V, V_{SS} = 0 V)

| Parameter | Symbol | Condition | MIN. | TYP. | MAX. | Unit |
|---------------------------|-------------------|------------------------------|------|------|------|------|
| Cascade Output Delay Time | t _{PHL1} | C _L = 55 pF, | | | 500 | ns |
| | t _{PLH1} | CLKR (CLKL) → STVL (STVR) | | | 500 | ns |
| Driver Output Delay Time | t _{PHL2} | C _L = 300 pF, | | | 500 | ns |
| | t _{PLH2} | CLKR (CLKL) → O _n | | | 500 | ns |
| | t _{PHL3} | C _L = 300 pF, | | | 500 | ns |
| | t _{PLH3} | OER (OEL) → O _n | | | 500 | ns |
| Output Rise Time | t _{TLH} | C _L = 300 pF | | | 800 | ns |
| Output Fall Time | t _{THL} | | | | 800 | ns |
| Input Capacitance | C _i | T _A = 25°C | | | 50 | pF |

Timing Requirements (T_A = -20 to +75°C, V_{DD1} = 2.3 to 3.6 V, V_{DD2} = 23 V, V_{EE} = -10 V, V_{SS} = 0 V)

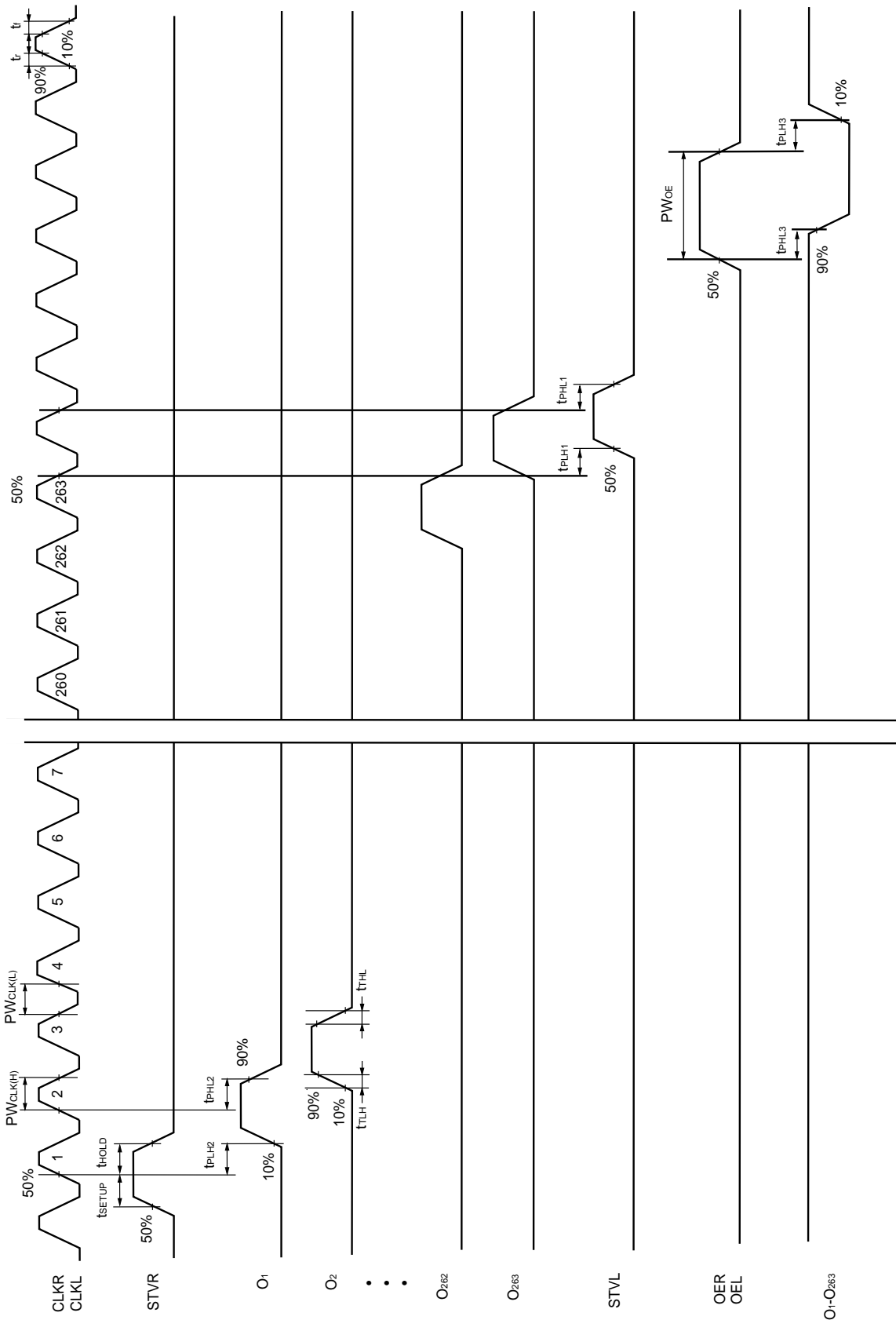
| Parameter | Symbol | Condition | MIN. | TYP. | MAX. | Unit |
|------------------------|----------------------|------------------------------|------|------|------|------|
| Clock Pulse High Width | PW _{CLK(H)} | | 500 | | | ns |
| Clock Pulse Low Width | PW _{CLK(L)} | | 500 | | | ns |
| Enable Pulse Width | PW _{OE} | | 1000 | | | ns |
| Data Setup Time | t _{SETUP} | STVR (STVL) ↑ → CLKR, CLKL ↑ | 200 | | | ns |
| Data Hold Time | t _{HOLD} | CLKR, CLKL ↑ → STVR (STVL) ↓ | 200 | | | ns |

Remark Unless otherwise specified, the input level is defined to be V_{IH} = V_{IL} = 0.5 V_{DD1}.

Caution Keep the time and fall time of the logic input to t_r = t_f = 20 ns (10 to 90% of the rated values).

SWITCHING CHARACTERISTICS WAVEFORM (R,/LR = R,/LL = H, MODE = H)

Unless otherwise specified, the input level is defined to be $V_{IH} = V_{IL} = 0.5 V_{DD1}$.



7. RECOMMENDED MOUNTING CONDITIONS

The μPD16707 should be soldered and mounted under the following recommended conditions.

For details of the recommended soldering conditions, refer to the document **Semiconductor Device Mounting Technology Manual (C10535E)**.

For soldering methods and conditions other than those recommended below, contact an NEC sales representative.

Recommended Soldering Conditions for Surface Mounting Soldering Conditions.

μPD16707N-xxx: TCP (TAB Package)

| Mounting Condition | Mounting Method | Condition |
|--------------------|--------------------------------------|-------------------------------------------------------------------------------------------------------------------------------------------------------------------------------------------------------------------------------------------------------------------|
| Thermocompression | Soldering | Heating tool 300 to 350°C, heating for 2 to 3 seconds : pressure 100g (per solder) |
| | ACF (Adhesive Conductive Film) | Temporary bonding 70 to 100°C: pressure 3 to 8 kg/cm ² : time 3 to 5 sec. Real bonding 165 to 180°C: pressure 25 to 45 kg/cm ² : time 30 to 40 sec. (When using the anisotropy conductive film SUMIZAC1003 of Sumitomo Bakelite,Ltd). |

Caution To find out the detailed conditions for mounting the ACF part, please contact the ACF manufacturing company. Be sure to avoid using two or more mounting methods at a time.

NOTES FOR CMOS DEVICES**① PRECAUTION AGAINST ESD FOR SEMICONDUCTORS**

Note:

Strong electric field, when exposed to a MOS device, can cause destruction of the gate oxide and ultimately degrade the device operation. Steps must be taken to stop generation of static electricity as much as possible, and quickly dissipate it once, when it has occurred. Environmental control must be adequate. When it is dry, humidifier should be used. It is recommended to avoid using insulators that easily build static electricity. Semiconductor devices must be stored and transported in an anti-static container, static shielding bag or conductive material. All test and measurement tools including work bench and floor should be grounded. The operator should be grounded using wrist strap. Semiconductor devices must not be touched with bare hands. Similar precautions need to be taken for PW boards with semiconductor devices on it.

② HANDLING OF UNUSED INPUT PINS FOR CMOS

Note:

No connection for CMOS device inputs can be cause of malfunction. If no connection is provided to the input pins, it is possible that an internal input level may be generated due to noise, etc., hence causing malfunction. CMOS devices behave differently than Bipolar or NMOS devices. Input levels of CMOS devices must be fixed high or low by using a pull-up or pull-down circuitry. Each unused pin should be connected to V_{DD} or GND with a resistor, if it is considered to have a possibility of being an output pin. All handling related to the unused pins must be judged device by device and related specifications governing the devices.

③ STATUS BEFORE INITIALIZATION OF MOS DEVICES

Note:

Power-on does not necessarily define initial status of MOS device. Production process of MOS does not define the initial operation status of the device. Immediately after the power source is turned ON, the devices with reset function have not yet been initialized. Hence, power-on does not guarantee out-pin levels, I/O settings or contents of registers. Device is not initialized until the reset signal is received. Reset operation must be executed immediately after power-on for devices having reset function.

Reference Documents**NEC Semiconductor Device Reliability/Quality Control System (C10983E)****Quality Grades On NEC Semiconductor Devices (C11531E)**

- **The information in this document is current as of January, 2003. The information is subject to change without notice. For actual design-in, refer to the latest publications of NEC Electronics data sheets or data books, etc., for the most up-to-date specifications of NEC Electronics products. Not all products and/or types are available in every country. Please check with an NEC Electronics sales representative for availability and additional information.**
- No part of this document may be copied or reproduced in any form or by any means without the prior written consent of NEC Electronics. NEC Electronics assumes no responsibility for any errors that may appear in this document.
- NEC Electronics does not assume any liability for infringement of patents, copyrights or other intellectual property rights of third parties by or arising from the use of NEC Electronics products listed in this document or any other liability arising from the use of such products. No license, express, implied or otherwise, is granted under any patents, copyrights or other intellectual property rights of NEC Electronics or others.
- Descriptions of circuits, software and other related information in this document are provided for illustrative purposes in semiconductor product operation and application examples. The incorporation of these circuits, software and information in the design of a customer's equipment shall be done under the full responsibility of the customer. NEC Electronics assumes no responsibility for any losses incurred by customers or third parties arising from the use of these circuits, software and information.
- While NEC Electronics endeavors to enhance the quality, reliability and safety of NEC Electronics products, customers agree and acknowledge that the possibility of defects thereof cannot be eliminated entirely. To minimize risks of damage to property or injury (including death) to persons arising from defects in NEC Electronics products, customers must incorporate sufficient safety measures in their design, such as redundancy, fire-containment and anti-failure features.
- NEC Electronics products are classified into the following three quality grades: "Standard", "Special" and "Specific".

The "Specific" quality grade applies only to NEC Electronics products developed based on a customer-designated "quality assurance program" for a specific application. The recommended applications of an NEC Electronics product depend on its quality grade, as indicated below. Customers must check the quality grade of each NEC Electronics product before using it in a particular application.

"Standard": Computers, office equipment, communications equipment, test and measurement equipment, audio and visual equipment, home electronic appliances, machine tools, personal electronic equipment and industrial robots.

"Special": Transportation equipment (automobiles, trains, ships, etc.), traffic control systems, anti-disaster systems, anti-crime systems, safety equipment and medical equipment (not specifically designed for life support).

"Specific": Aircraft, aerospace equipment, submersible repeaters, nuclear reactor control systems, life support systems and medical equipment for life support, etc.

The quality grade of NEC Electronics products is "Standard" unless otherwise expressly specified in NEC Electronics data sheets or data books, etc. If customers wish to use NEC Electronics products in applications not intended by NEC Electronics, they must contact an NEC Electronics sales representative in advance to determine NEC Electronics' willingness to support a given application.

(Note)

- (1) "NEC Electronics" as used in this statement means NEC Electronics Corporation and also includes its majority-owned subsidiaries.
- (2) "NEC Electronics products" means any product developed or manufactured by or for NEC Electronics (as defined above).