

ZMD31015

RBic_dLite™

Low-Cost Sensor Signal Conditioner
with Diagnostics

PRELIMINARY



Features

- Digital compensation of sensor offset, sensitivity, temperature drift and non-linearity
- Programmable analog gain and digital gain; accommodates bridges with spans < 1mV/V and high offset
- Many diagnostic features on chip (e.g., EEPROM signature, bridge connection checks, bridge short detection, power loss detection)
- Independently programmable high and low clipping levels
- 24-bit customer ID field for module traceability
- Digital calibration and configuration via one-wire interface – quick and precise
- Internal temperature compensation reference (no external components)
- Option for external temperature compensation with addition of single diode
- Output options: rail-to-rail ratiometric analog voltage (12-bit resolution), absolute analog voltage, digital one-wire-interface
- Supply voltage 2.7 to 5.5V; with external JFET, 5.5 to 30V
- Fast power-up to data out response; output available 5ms after power up
- Current consumption depends on programmed sample rate; 1mA down to 250µA (typical)
- Operation temperature: -50°C to +150°C
- Fast response time: 1ms (typical)
- High voltage protection up to 30V with external JFET
- No external trimming components required
- High accuracy (±0.1% FSO @ -25 to 85°C; ±0.25% FSO @ -50 to 150°C)

Brief Description

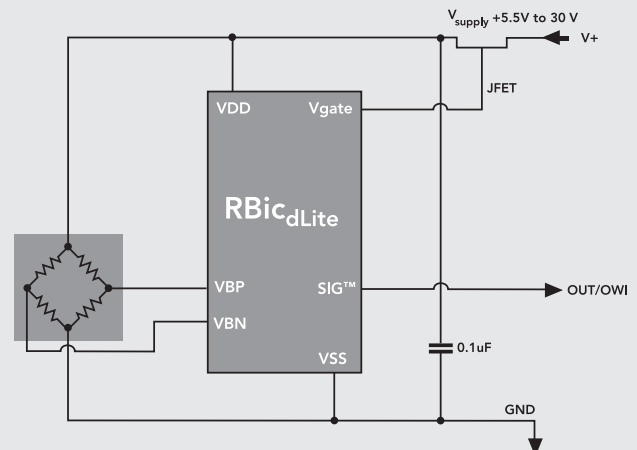
The RBic_dLite™ is a CMOS integrated circuit for highly accurate amplification and sensor-specific correction of bridge sensor signals. Digital compensation of sensor offset, sensitivity, temperature drift and non-linearity is accomplished via an internal digital signal processor running a correction algorithm with calibration coefficients stored in a non-volatile EEPROM.

The RBic_dLite™ is adjustable to nearly all piezo-resistive bridge sensors. Measured and corrected bridge values are provided at the SIG™ pin, which can be configured as an analog voltage output or as a one-wire serial digital output.

The digital one-wire interface can be used for a simple PC-controlled calibration procedure to program a set of calibration coefficients into an on-chip EEPROM. The calibrated RBic_dLite™ and a specific sensor are mated digitally: fast, precise, and without the cost overhead associated with trimming by external devices or laser. Integrated diagnostics functions make the RBic_dLite™ particularly well suited for automotive applications.

- The RBic_dLite™ Development Kit is available – includes the Development Board, SOP8 samples, software, and documentation.
- Support for industrial mass calibration is available
- Quick circuit customization possible for large production volumes

Application Circuit



Typical RBic_dLite™ Application Circuit

Application Examples

Automotive



- Airflow
- Differential Pressure
- Process Control

Industrial



- Process Control
- Dataloggers

Appliances



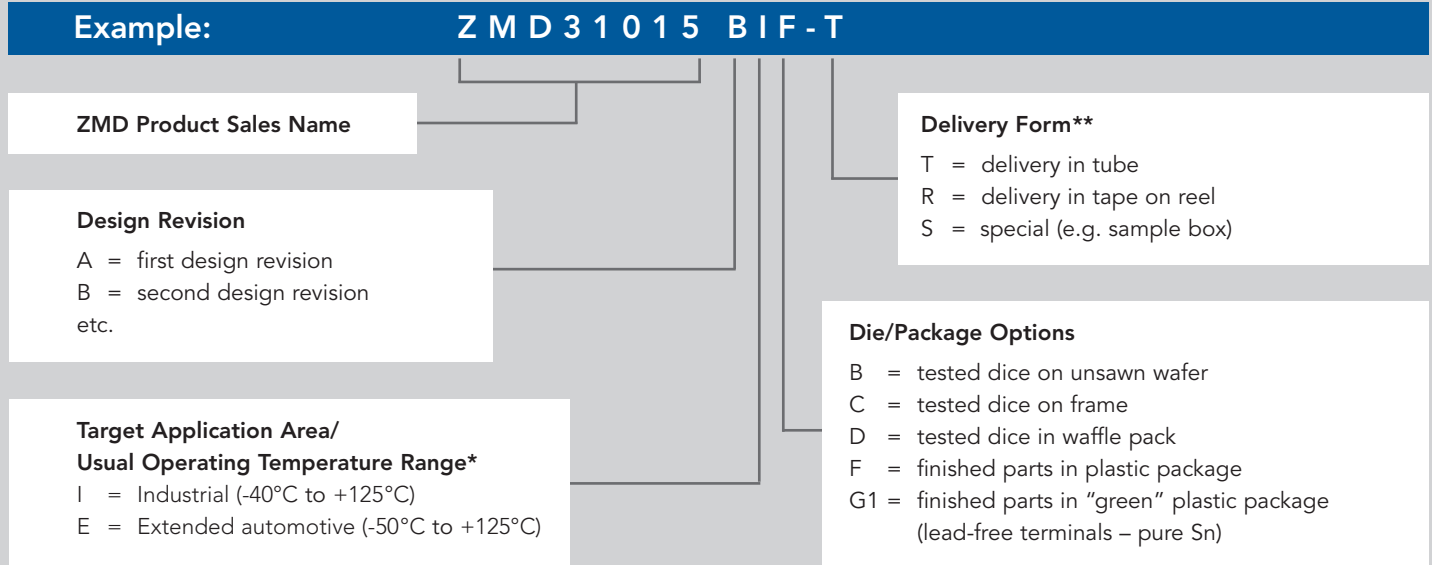
- Filter Check
- Refrigerant
- Pressure Monitoring

Consumer/Medical



- Blood Pressure Meters
- PDAs
- Mobile Phones

Ordering Code



* only for serial parts; engineering samples don't have this character

** only for finished parts in plastic package

Engineering samples can be marked with the additional characters "ES".
 Not all possible product versions are available. Please ask ZMD sales
 if and when a certain product version is available.

For further information:

ZMD AG

Grenzstrasse 28
 01109 Dresden
 Germany
 Tel +49.351.8822.366
 Fax +49.351.8822.337
 sales@zmd.de

ZMD America, Inc.

201 Old Country Road, Suite 204
 Melville, NY 11747
 USA
 Tel +1.631.549.2666
 Fax +1.631.549.2882
 sales@zmda.com

ZMD Far East

1F, No. 14, Lane 268, Sec. 1 Guangfu Rd.
 HsinChu City 300
 Taiwan
 Tel +886.3.563.1388
 Fax +886.3.563.6385
 sales@zmd.de