

FEATURES

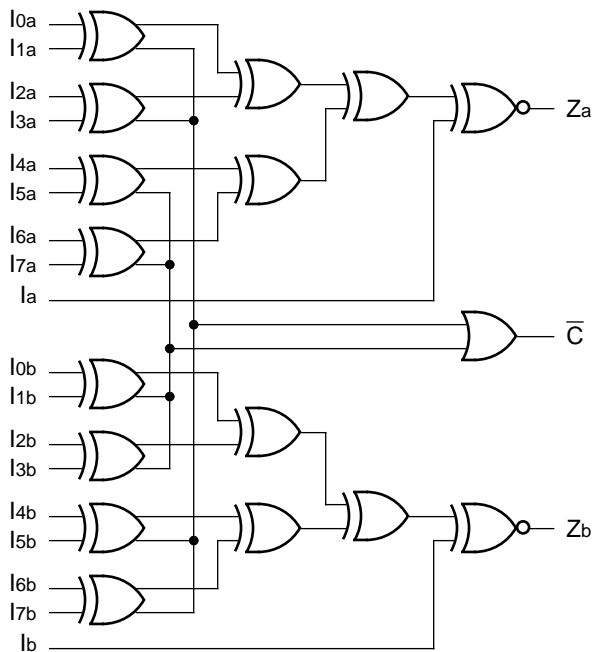
- Max. propagation delay of 2200ps
- IEE min. of -70mA
- Industry standard 100K ECL levels
- Extended supply voltage option:
VEE = -4.2V to -5.5V
- Voltage and temperature compensation for improved noise immunity
- Internal 75KΩ input pull-down resistors
- 15% faster than Fairchild 300K
- Approximately 30% lower power than Fairchild 300K
- Function and pinout compatible with Fairchild F100K
- Available in 24-pin CERPAC and 28-pin PLCC packages

DESCRIPTION

The SY100S360 is a dual parity checker/generator and is designed for use in high-performance ECL systems. The inputs are segmented into two groups of nine inputs each and the parity output is at a logic LOW when an even number of inputs are at a logic HIGH. In each group, one of the nine inputs (Ia, Ib) has a shorter propagation delay and, therefore, is ideal as the expansion input for parity generation of wider data.

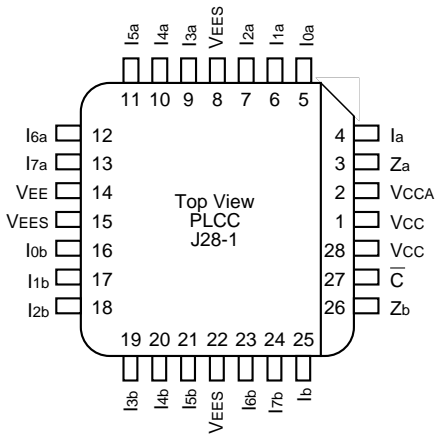
A Compare output (C) is also provided which allows comparison of two 8-bit words. A logic LOW on the C output indicates a match. The inputs on this device have 75KΩ pull-down resistors.

BLOCK DIAGRAM

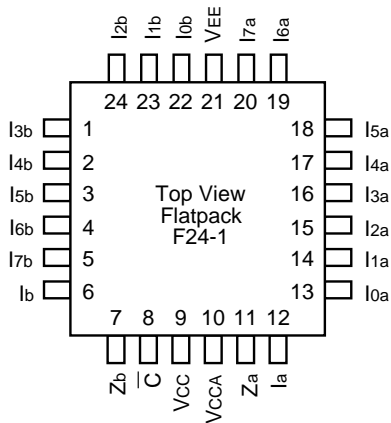


PACKAGE/ORDERING INFORMATION

Ordering Information



28-Pin PLCC (J28-1)



24-Pin Cerpack (F24-1)

Part Number	Package Type	Operating Range	Package Marking	Lead Finish
SY100S360FC	F24-1	Commercial	SY100S360FC	Sn-Pb
SY100S360FCTR ⁽¹⁾	F24-1	Commercial	SY100S360FC	Sn-Pb
SY100S360JC	J28-1	Commercial	SY100S360JC	Sn-Pb
SY100S360JCTR ⁽¹⁾	J28-1	Commercial	SY100S360JC	Sn-Pb
SY100S360JZ ⁽²⁾	J28-1	Commercial	SY100S360JZ with Pb-Free bar-line indicator	Matte-Sn
SY100S360JZTR ^(1, 2)	J28-1	Commercial	SY100S360JZ with Pb-Free bar-line indicator	Matte-Sn

Notes:

1. Tape and Reel.
2. Pb-Free package is recommended for new designs.

PIN NAMES

Pin	Function
Ia, Ib, Ina, Inb	Data Inputs (n = 1...7)
Za – Zb	Parity Odd Outputs
\bar{C}	Compare Output
VEES	VEE Substrate
VCCA	VCCO for ECL Outputs

TRUTH TABLE⁽¹⁾

Sum of High Inputs	Output Z
Even	HIGH
Odd	LOW

Note:

1. Comparator Function:

$$\bar{C} = (I_{0a} \oplus I_{1a}) + (I_{2a} \oplus I_{3a}) + (I_{4a} \oplus I_{5a}) + (I_{6a} \oplus I_{7a}) + (I_{0b} \oplus I_{1b}) + (I_{2b} \oplus I_{3b}) + (I_{4b} \oplus I_{5b}) + (I_{6b} \oplus I_{7b})$$

DC ELECTRICAL CHARACTERISTICS

VEE = -4.2V to -5.5V unless otherwise specified; VCC = VCCA = GND

Symbol	Parameter	Min.	Typ.	Max.	Unit	Condition
I _{IH}	Input HIGH Current Ia, Ib Ina, Inb	—	—	300 200	μA	V _{IN} = V _{IH} (Max.)
I _{EE}	Power Supply Current	-70	-45	-30	mA	Inputs Open

AC ELECTRICAL CHARACTERISTICS

CERPACK

VEE = -4.2V to -5.5V unless otherwise specified; VCC = VCCA = GND

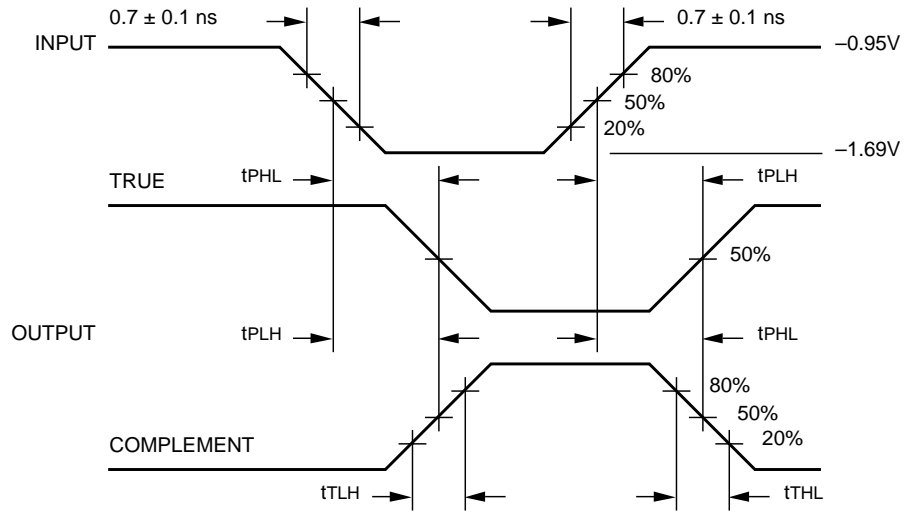
Symbol	Parameter	TA = 0°C		TA = +25°C		TA = +85°C		Unit	Condition
		Min.	Max.	Min.	Max.	Min.	Max.		
t _{PLH} t _{PHL}	Propagation Delay Ina, Inb to Za, Zb	500	2300	500	2300	500	2300	ps	
t _{PLH} t _{PHL}	Propagation Delay Ina, Inb to \bar{C}	500	1800	500	1800	500	1800	ps	
t _{PLH} t _{PHL}	Propagation Delay Ia, Ib to Za, Zb	300	1000	300	1000	300	1000	ps	
t _{TLH} t _{THL}	Transition Time 20% to 80%, 80% to 20%	300	900	300	900	300	900	ps	

PLCC

VEE = -4.2V to -5.5V unless otherwise specified; VCC = VCCA = GND

Symbol	Parameter	TA = 0°C		TA = +25°C		TA = +85°C		Unit	Condition
		Min.	Max.	Min.	Max.	Min.	Max.		
t _{PLH} t _{PHL}	Propagation Delay Ina, Inb to Za, Zb	500	2200	500	2200	500	2200	ps	
t _{PLH} t _{PHL}	Propagation Delay Ina, Inb to \bar{C}	500	1700	500	1700	500	1700	ps	
t _{PLH} t _{PHL}	Propagation Delay Ia, Ib to Za, Zb	300	900	300	900	300	900	ps	
t _{TLH} t _{THL}	Transition Time 20% to 80%, 80% to 20%	300	900	300	900	300	900	ps	

TIMING DIAGRAM

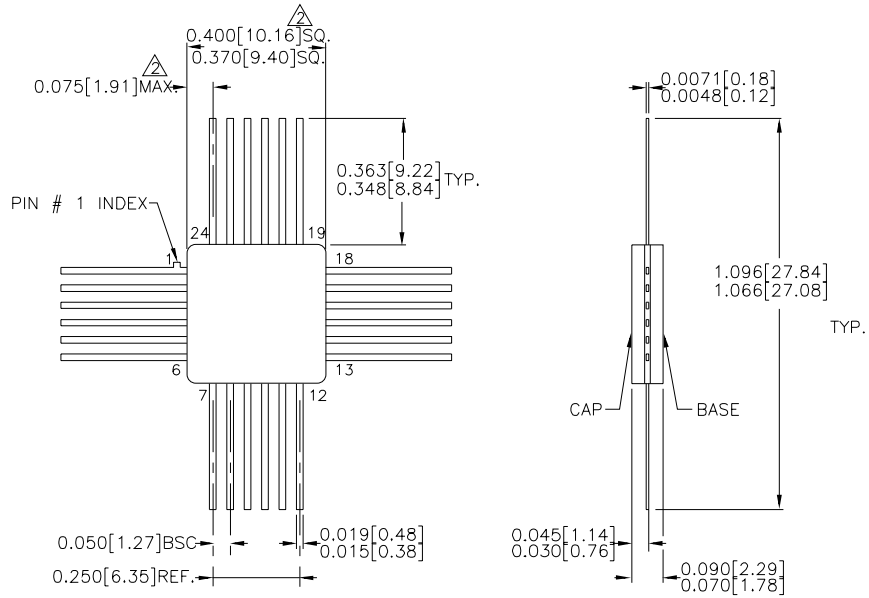


Propagation Delay and Transition Times

NOTE:

$V_{EE} = -4.2V$ to $-5.5V$ unless otherwise specified; $V_{CC} = V_{CCA} = GND$

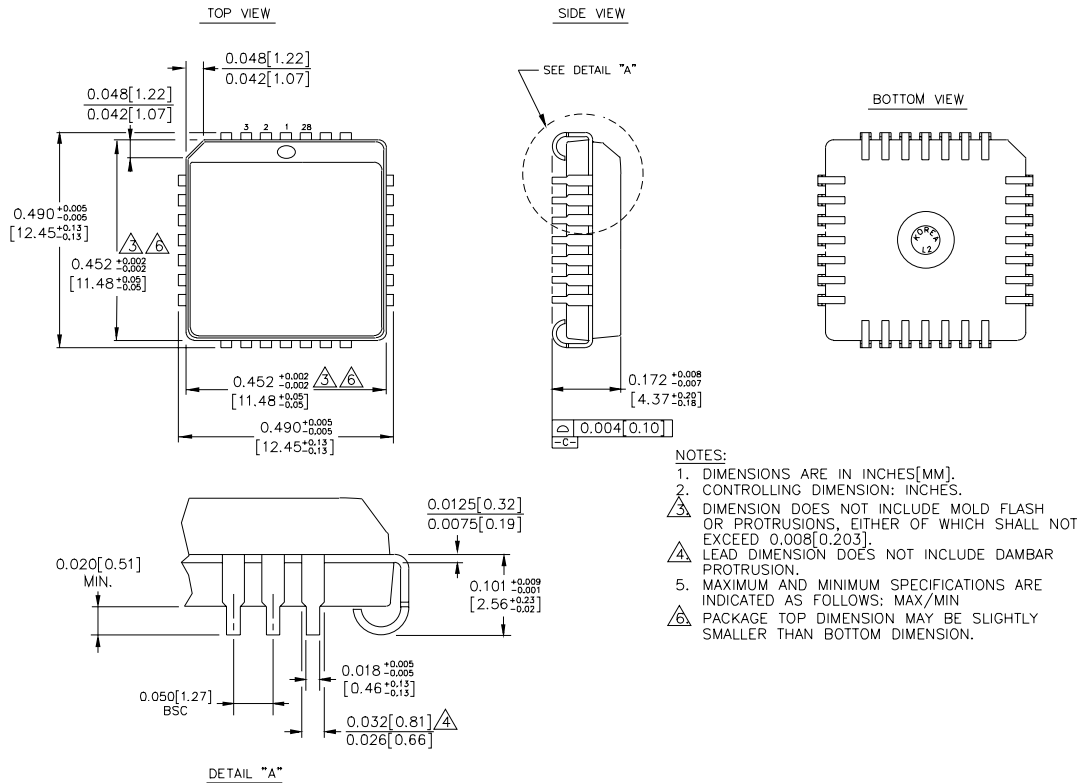
24-PIN CERPACK (F24-1)



- NOTES:
1. DIMENSIONS ARE IN INCHES[MM].
 - △ THIS DIMENSION INCLUDES GLASS PROTRUSION AND CAP TO BASE ALIGNMENT TOLERANCES.
 3. DIMENSIONS SHOWN ARE MAX/MIN, WHERE NOTED.

Rev.03

28-PIN PLCC (J28-1)



Rev. 03

MICREL, INC. 2180 FORTUNE DRIVE SAN JOSE, CA 95131 USA

TEL + 1 (408) 944-0800 FAX + 1 (408) 474-1000 WEB <http://www.micrel.com>

The information furnished by Micrel in this datasheet is believed to be accurate and reliable. However, no responsibility is assumed by Micrel for its use. Micrel reserves the right to change circuitry and specifications at any time without notification to the customer.

Micrel Products are not designed or authorized for use as components in life support appliances, devices or systems where malfunction of a product can reasonably be expected to result in personal injury. Life support devices or systems are devices or systems that (a) are intended for surgical implant into the body or (b) support or sustain life, and whose failure to perform can be reasonably expected to result in a significant injury to the user. A Purchaser's use or sale of Micrel Products for use in life support appliances, devices or systems is at Purchaser's own risk and Purchaser agrees to fully indemnify Micrel for any damages resulting from such use or sale.

© 2006 Micrel, Incorporated.