

TWO PHASE HALL EFFECT LATCH WITH LOCKED PROTECTION AH287

General Description

The AH287 is an integrated Hall sensor with output drivers for brushless DC motor application. This IC consists of two complementary outputs for motor's coil driving and has automatic lock protection and auto-restart function relatively. To avoid coil burning, rotor lock shutdown protection circuit shut down the output driver if the rotor blocked and then the automatic recovery circuit will try to restart the motor. This function repeats while rotor is blocked. Until the blocking is removed, the motor recovers running normally. In addition, the auto-restart time is flexible by adjusting the capacitance (C_{CT}).

Placing the device in a variable magnetic field, if the magnetic flux density is larger than threshold B_{OP} , the DO is turned to sink and DOB is turned to drive. This output state is held until a magnetic flux density reversal falls below B_{RP} , causing DO to be turned to drive and DOB turned to sink.

This IC is available in TO-94 package.

Features

- On-chip Hall Sensor
- Operating Voltage: 3.5V to 18V
- Maximum Output Current: 350mA (ave)
- Rotor-locked Protection
- Automatic Restart
- Adjustable Auto-restart Time
- Internal Band-gap Regulator for Temperature Compensation
- Operating Temperature: -20°C to 85°C
- Low Profile TO-94 Package
- ESD Rating: 300V (Machine Model)

Application

- Dual-coil Brushless DC Fan

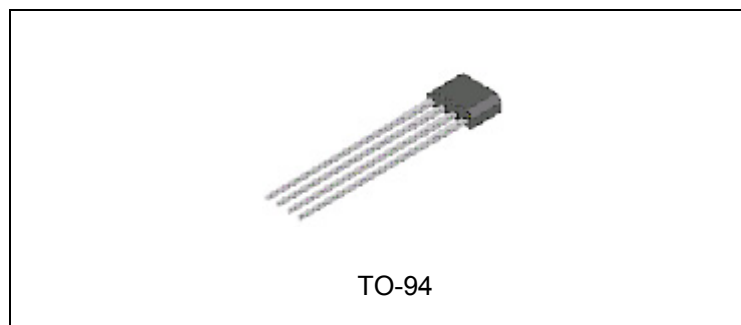


Figure 1. Package Type of AH287

TWO PHASE HALL EFFECT LATCH WITH LOCKED PROTECTION AH287

Pin Configuration

Z4 Package
(TO-94)

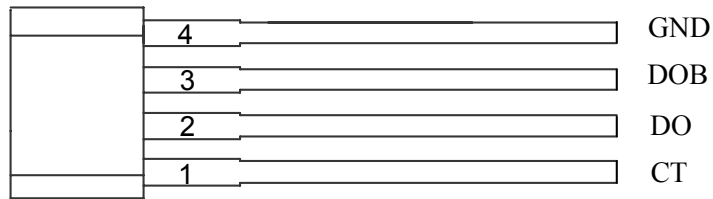


Figure 2. Pin Configuration of AH287 (Front View)

Pin Description

Pin Number	Pin Name	Function
1	CT	Timing capacitance
2	DO	Output 1
3	DOB	Output 2
4	GND	Ground

TWO PHASE HALL EFFECT LATCH WITH LOCKED PROTECTION AH287

Functional Block Diagram

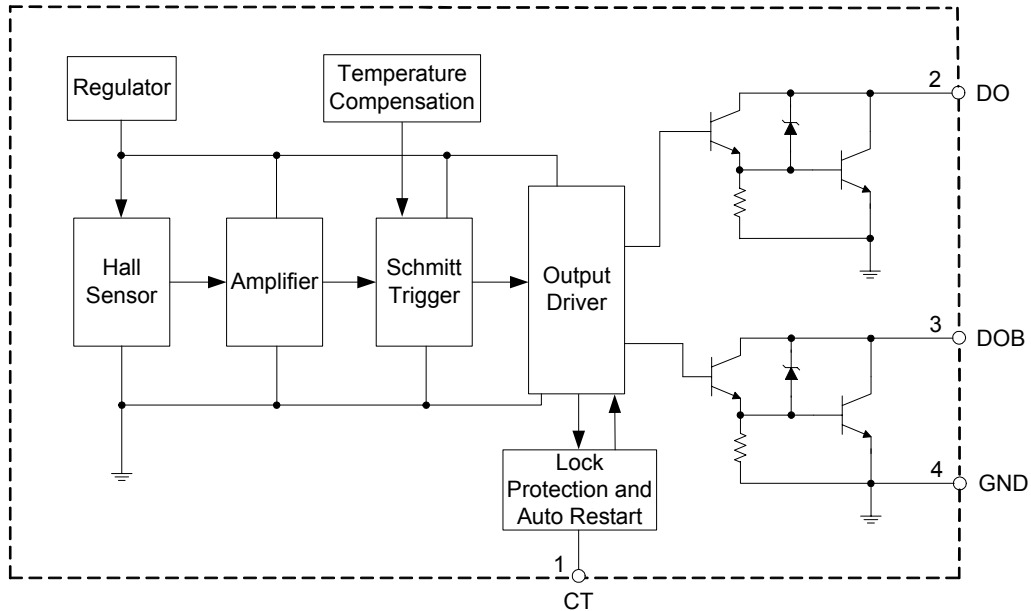
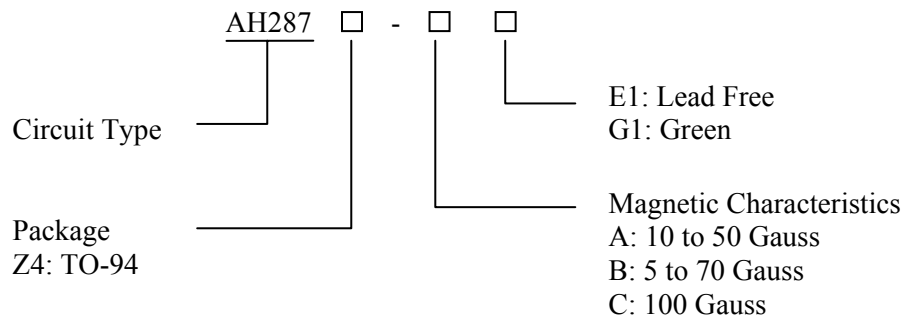


Figure 3. Functional Block Diagram of AH287

Ordering Information



Package	Temperature Range	Part Number		Marking ID		Packing Type
		Lead Free	Green	Lead Free	Green	
TO-94	-20 to 85°C	AH287Z4-AE1	AH287Z4-AG1	AH287Z4-E1	AH287Z4-G1	Bulk
		AH287Z4-BE1	AH287Z4-BG1	AH287Z4-E1	AH287Z4-G1	Bulk
		AH287Z4-CE1	AH287Z4-CG1	AH287Z4-E1	AH287Z4-G1	Bulk

BCD Semiconductor's Pb-free products, as designated with "E1" suffix in the part number, are RoHS compliant. Products with "G1" suffix are available in green package.

**TWO PHASE HALL EFFECT LATCH WITH LOCKED PROTECTION AH287****Absolute Maximum Ratings (Note 1, T_A=25°C)**

Parameter	Symbol	Value	Unit
Supply Voltage	V _{CC}	20	V
Magnetic Flux Density	B	Unlimited	Gauss
Output Current	I _{OUT}	Continuous	350 mA
		Hold	550 mA
		Peak (Start Up)	750 mA
Power Dissipation	P _D	550	mW
Thermal Resistance	Die to Atmosphere	θ _{JA}	227 °C/W
	Die to Package Case	θ _{JC}	49 °C/W
Junction Temperature	T _J	150	°C
Storage Temperature	T _{STG}	-50 to 150	°C
ESD (Machine Model)		300	V
ESD (Human Body Model)		3000	V

Note 1: Stresses greater than those listed under “Absolute Maximum Ratings” may cause permanent damage to the device. These are stress ratings only, and functional operation of the device at these or any other conditions beyond those indicated under “Recommended Operating Conditions” is not implied. Exposure to “Absolute Maximum Ratings” for extended periods may affect device reliability.

Recommended Operating Conditions (Note 2)

Parameter	Symbol	Min	Max	Unit
Supply Voltage*	V _{CC}	3.5	18	V
Lock Protection and Automatic Restart Voltage**	V _{LOCK}	4.5	18	V
Ambient Temperature	T _A	-20	85	°C

Note 2: When D1 (see Figure 12) is disconnected,

* the minimum startup voltage is 3.5V.

** the minimum operation voltage of lock protection and automatic restart is 4.5V.

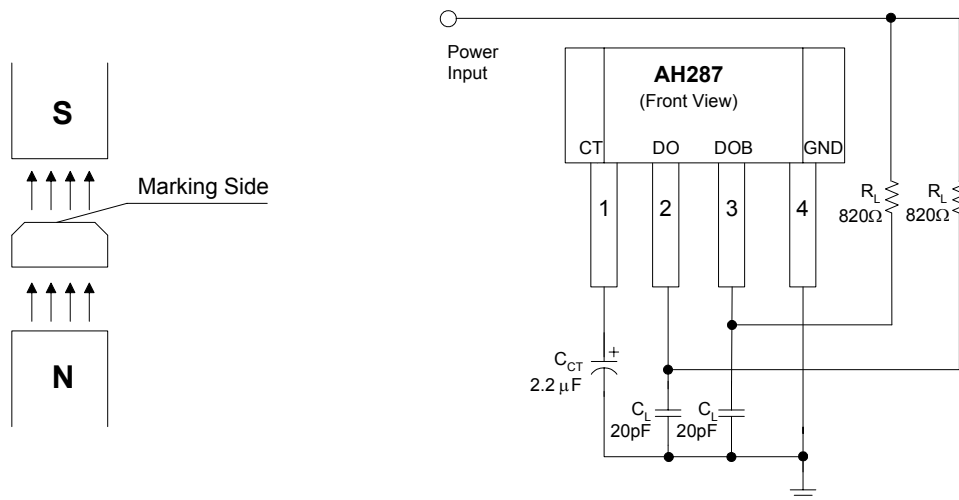
**TWO PHASE HALL EFFECT LATCH WITH LOCKED PROTECTION AH287****Electrical Characteristics**

$V_{CC}=14V$, $T_A=25^{\circ}C$, unless otherwise specified.

Parameter	Symbol	Conditions	Min	Typ	Max	Unit
Output Saturation Voltage	V_{SAT}	$B > 150$ Gauss, $V_{CC}=5V$, $V_{DOB}=V_{CC}$, $I_{DO}=100mA$ (or $B < -150$ Gauss, $V_{CC}=5V$, $V_{DO}=V_{CC}$, $I_{DOB}=100mA$)		1	1.15	V
		$B > 150$ Gauss, $V_{DOB}=V_{CC}$, $I_{DO}=350mA$ (or $B < -150$ Gauss, $V_{DO}=V_{CC}$, $I_{DOB}=350mA$)		1.2	1.35	V
Supply Current	I_{CC}	$B > 150$ Gauss, $V_{DOB}=V_{CC}$ (or $B < -150$ Gauss, $V_{DO}=V_{CC}$)		5	6.5	mA
Output Rise Time	t_r	$R_L=820\Omega$, $C_L=20pF$		3	10	μs
Output Fall Time	t_f	$R_L=820\Omega$, $C_L=20pF$		0.3	1.5	μs
Switch Time Differential	Δt	$R_L=820\Omega$, $C_L=20pF$		3	10	μs
Output Zener Breakdown Voltage	V_Z			55		V
Charge Current	I_{CHG}	$V_{CT}=1$ to $2.5V$		5		μA
Discharge Current	I_{DHG}	$V_{CT}=3.5$ to $2.5V$		0.5		μA
Clamp Voltage	V_{CL}	Limiting voltage		3.2		V
Comparator Voltage	V_{CP}	Limiting voltage		2.2		V

TWO PHASE HALL EFFECT LATCH WITH LOCKED PROTECTION AH287
Magnetic Characteristics ($T_A=25^\circ\text{C}$)

Parameter	Symbol	Grade	Min	Typ	Max	Unit
Operating Point	B_{OP}	A	10		50	Gauss
		B	5		70	
		C			100	
Releasing Point	B_{RP}	A	-50		-10	Gauss
		B	-70		-5	
		C	-100			
Hysteresis	B_{HYS}			70		Gauss

Test Circuit


TWO PHASE HALL EFFECT LATCH WITH LOCKED PROTECTION AH287

Magnetic Hysteresis Characteristics

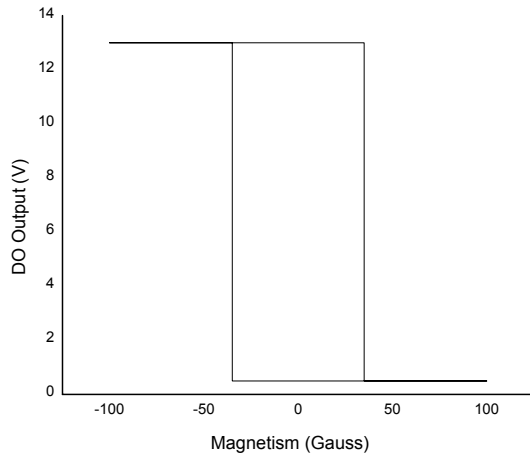


Figure 4. DO Output vs. Magnetism

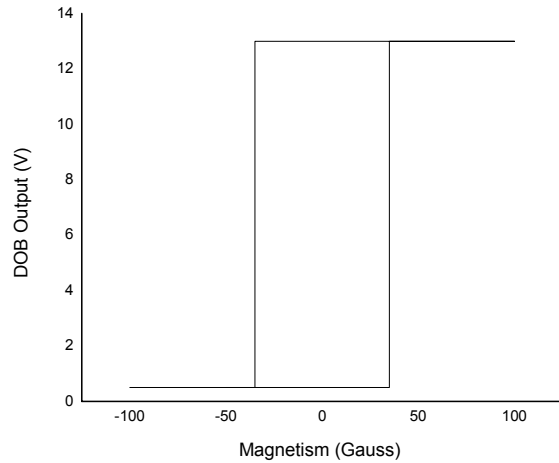


Figure 5. DOB Output vs. Magnetism

Typical Performance Characteristics

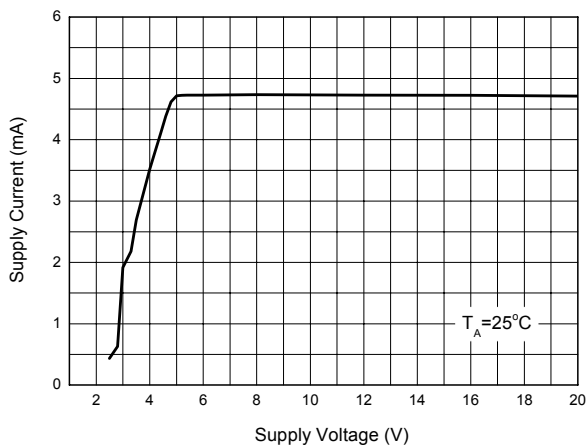


Figure 6. Supply Current vs. Supply Voltage

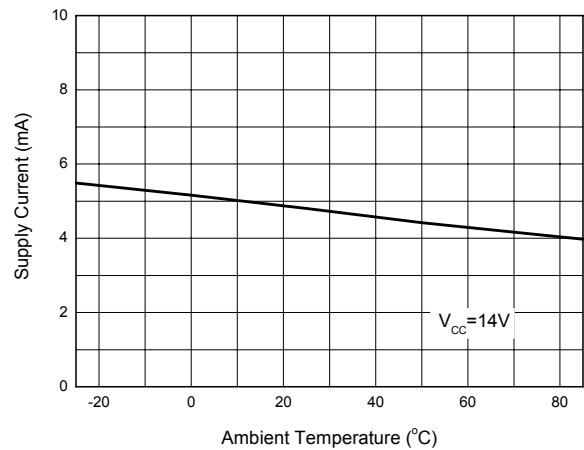


Figure 7. Supply Current vs. Ambient Temperature



TWO PHASE HALL EFFECT LATCH WITH LOCKED PROTECTION AH287

Typical Performance Characteristics (Continued)

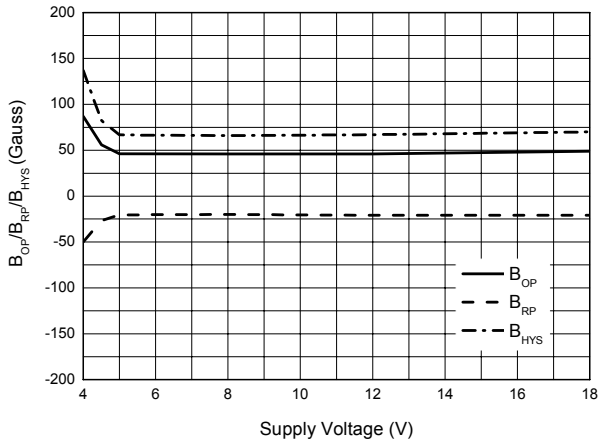


Figure 8. $B_{OP}/B_{RP}/B_{HYS}$ vs. Supply Voltage

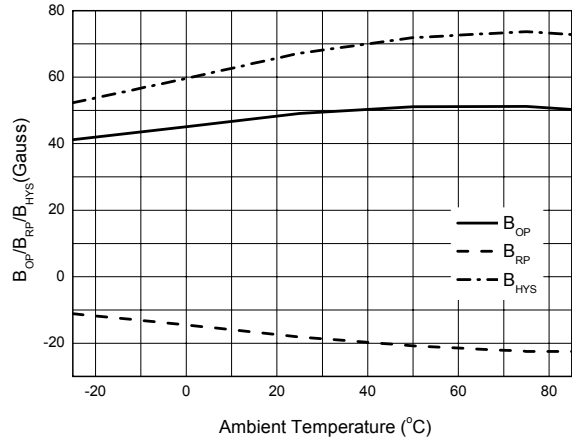


Figure 9. $B_{OP}/B_{RP}/B_{HYS}$ vs. Ambient Temperature

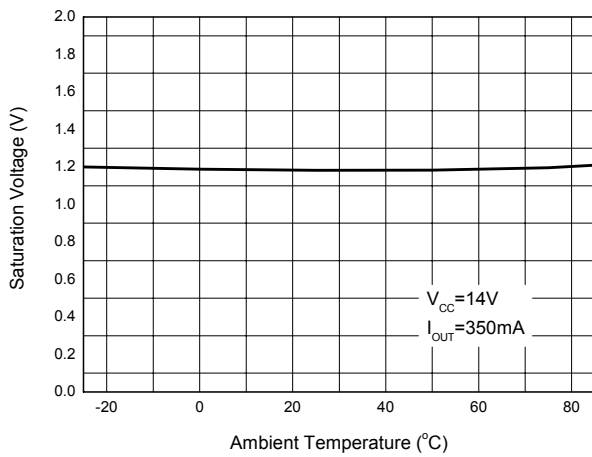


Figure 10. Saturation Voltage vs. Ambient Temperature

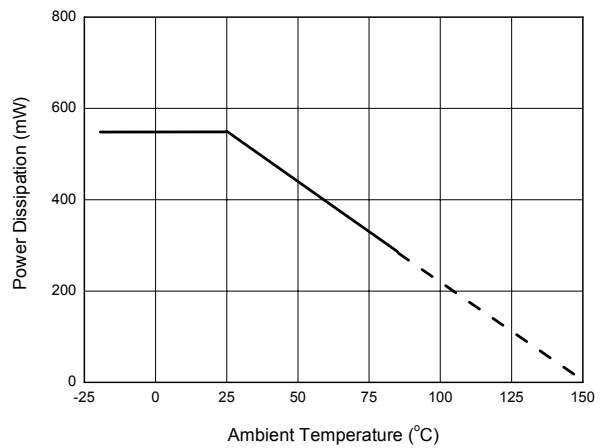
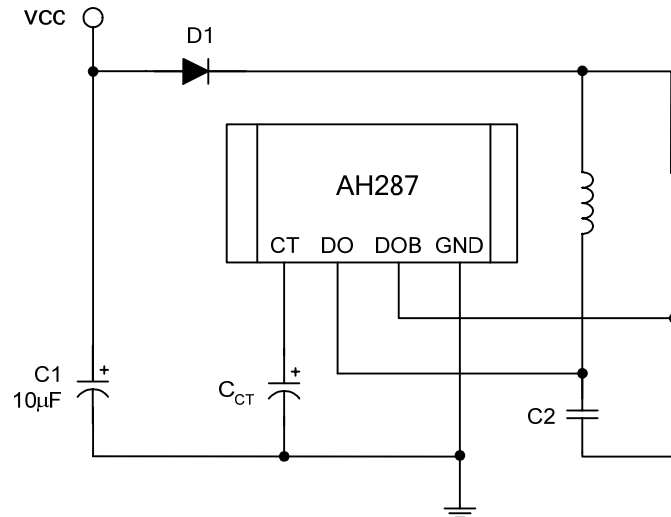


Figure 11. Power Dissipation vs. Ambient Temperature (Table 1)

Table 1:

T_A (°C)	-20	-15	-10	-5	0	5	10	15	20	25	30	35	40	45	50	55	60	65
P_D (mW)	551	551	551	551	551	551	551	551	551	551	529	507	485	463	441	419	396	374
T_A (°C)	70	75	80	85	90	95	100	105	110	115	120	125	130	135	140	145	150	
P_D (mW)	352	330	308	286	264	242	220	198	176	154	132	110	88	66	44	22	0	

TWO PHASE HALL EFFECT LATCH WITH LOCKED PROTECTION AH287
Typical Application (Note 3)


Note 3:

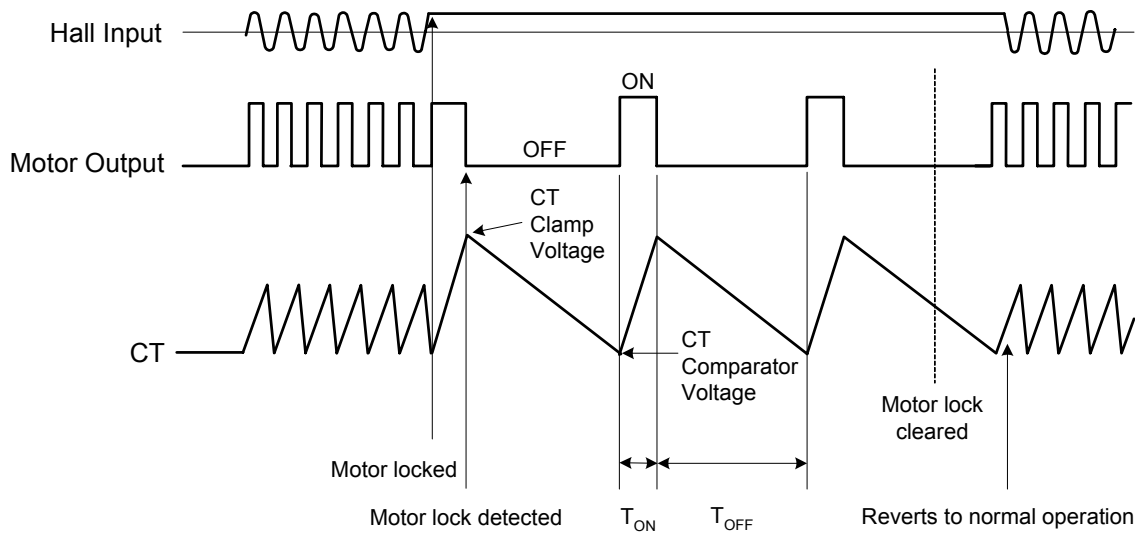
1. Due to the special internal circuit of AH287, the minimum operation voltage of lock protection and automatic restart is higher than the minimum startup voltage. It is 4.5V.
2. The capacitances of C_{CT} and C2 are adjustable base on system requirements. The recommended values are as below:

C_{CT}	C2
1μF/9V~2.2μF/9V	1μF/50V~2.2μF/50V

Figure 12. Typical Application of AH287

TWO PHASE HALL EFFECT LATCH WITH LOCKED PROTECTION AH287

Operating Diagram (Note 4)



Note 4: The automatic restart circuit detects a motor lock condition and automatically turns off the output current. When the lock is cleared, the IC automatically restarts and allows the motor to run. In AH287, automatic restart is performed in the following manner. A motor lock condition is detected when the Hall signal stops switching. The output is ON when CT pin is being charged, and OFF when CT pin is being discharged.

$$T_{ON} = \frac{C * (V_{CL} - V_{CP})}{I_{CHG}} (\text{Sec})$$

$$T_{OFF} = \frac{C * (V_{CL} - V_{CP})}{I_{DHG}} (\text{Sec})$$

Output ON time (T_{ON}) and OFF time (T_{OFF}) are determined by C, the capacitance of the CT pin external capacitor.

- V_{CL} is the CT pin clamp voltage
- V_{CP} is the CT pin comparator voltage
- I_{CHG} is the CT pin charge current
- I_{DHG} is the CT pin discharge current

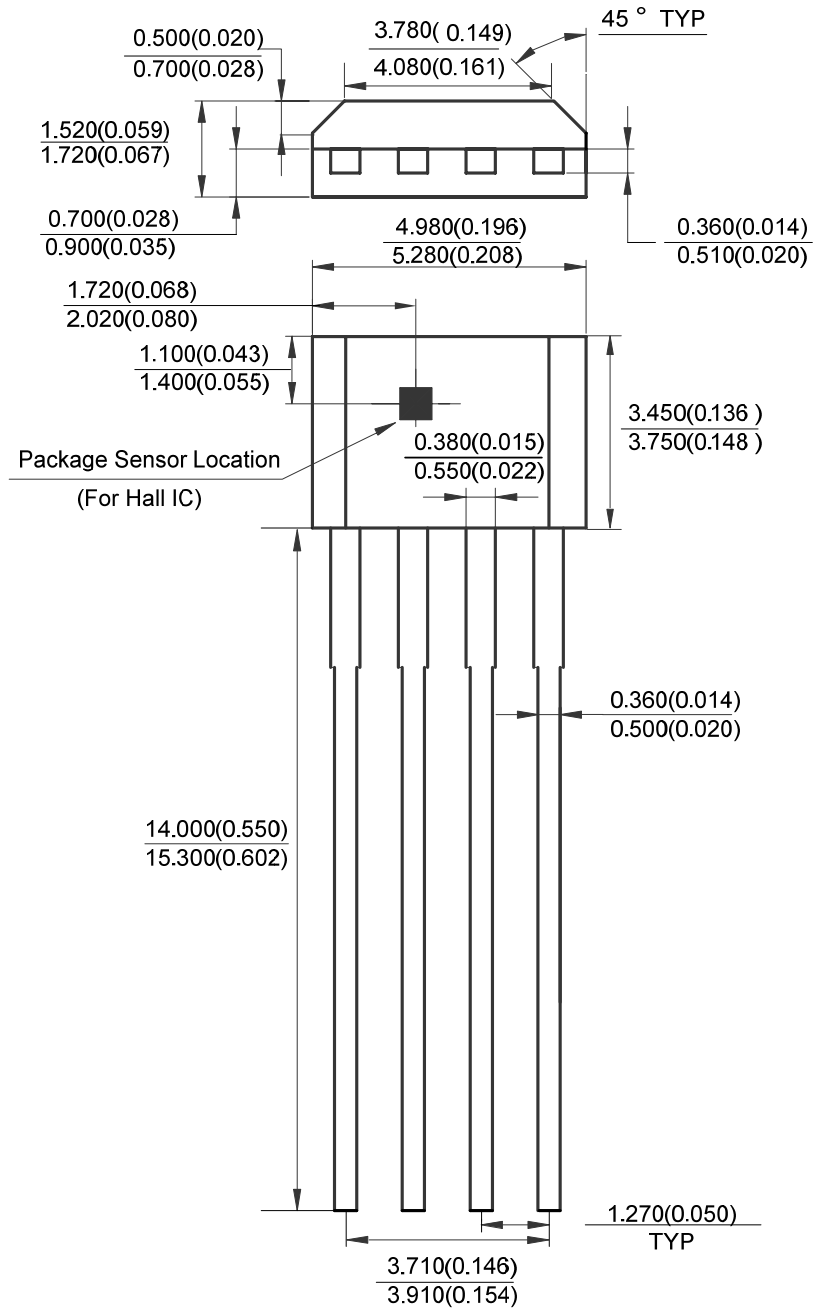
Figure 13. Control Timing Diagram of AH287

TWO PHASE HALL EFFECT LATCH WITH LOCKED PROTECTION AH287

Mechanical Dimensions

TO-94

Unit: mm(inch)





BCD Semiconductor Manufacturing Limited

<http://www.bcdsemi.com>

IMPORTANT NOTICE

BCD Semiconductor Manufacturing Limited reserves the right to make changes without further notice to any products or specifications herein. BCD Semiconductor Manufacturing Limited does not assume any responsibility for use of any its products for any particular purpose, nor does BCD Semiconductor Manufacturing Limited assume any liability arising out of the application or use of any its products or circuits. BCD Semiconductor Manufacturing Limited does not convey any license under its patent rights or other rights nor the rights of others.

MAIN SITE

- Headquarters

BCD Semiconductor Manufacturing Limited

No. 1600, Zi Xing Road, Shanghai Zizhu Science-based Industrial Park, 200241, China
Tel: +86-21-24162266, Fax: +86-21-24162277

- Wafer Fab

Shanghai SIM-BCD Semiconductor Manufacturing Co., Ltd.

800 Yi Shan Road, Shanghai 200233, China
Tel: +86-21-6485 1491, Fax: +86-21-5450 0008

REGIONAL SALES OFFICE

Shenzhen Office

Shanghai SIM-BCD Semiconductor Manufacturing Co., Ltd., Shenzhen Office
Room E, 5F, Noble Center, No.1006, 3rd Fuzhong Road, Futian District, Shenzhen,
518026, China
Tel: +86-755-8826 7951
Fax: +86-755-8826 7865

Taiwan Office

BCD Semiconductor (Taiwan) Company Limited
4F, 298-1, Rui Guang Road, Nei-Hu District, Taipei,
Taiwan
Tel: +886-2-2656 2808
Fax: +886-2-2656 2806

USA Office

BCD Semiconductor Corp.
30920 Huntwood Ave. Hayward,
CA 94544, USA
Tel : +1-510-324-2988
Fax: +1-510-324-2788