

High Speed Switching Diode

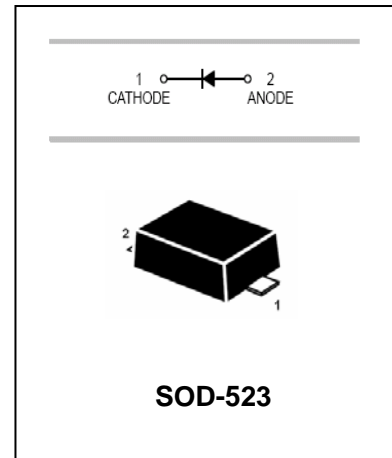
BAS516

FEATURES

- Ultra small plastic SMD package.
- High switching speed: max.4ns.
- Continuous reverse voltage: max.75V.
- Repetitive peak reverse voltage: max.85V
- Repetitive peak forward current: max.500mA



Lead-free



APPLICATIONS

- High-speed switching in surface mounted circuits.

ORDERING INFORMATION

Type No.	Marking	Package Code
BAS516	61	SOD-523

MAXIMUM RATING @ Ta=25°C unless otherwise specified

Parameter	Symbol	Limits	Unit
Repetitive peak reverse voltage	V_{RRM}	85	V
Continuous reverse voltage	V_R	75	V
Continuous forward current	I_F	250	mA
Non-repetitive peak forward surge current	I_{FSM}	t=1μs	4
		t=1ms	1
		t=1s	0.5
Total power dissipation	P_{tot}	500	mW
Junction temperature	T_j	150	°C
Storage temperature	T_{stg}	-65-150	°C

ELECTRICAL CHARACTERISTICS @ Ta=25°C unless otherwise specified

High Speed Switching Diode

BAS516

Parameter	Symbol	Min.	Max.	Unit	Conditions
Forward voltage	V_F		0.715	V	$I_F=1\text{mA}$
			0.855	V	$I_F=10\text{mA}$
			1	V	$I_F=50\text{mA}$
			1.25	V	$I_F=150\text{mA}$
Reverse current	I_R		30	nA	$V_R=25\text{V}$
			1	μA	$V_R=75\text{V}$
Diode capacitance	C_d		1	pF	$V_R=0, f=1\text{MHz}$
Reverse recovery time	t_{rr}		4	ns	$I_F=10\text{mA}, I_R=10\text{mA}, R_L=1\text{mA}$

TYPICAL CHARACTERISTICS @ $T_a=25^\circ\text{C}$ unless otherwise specified

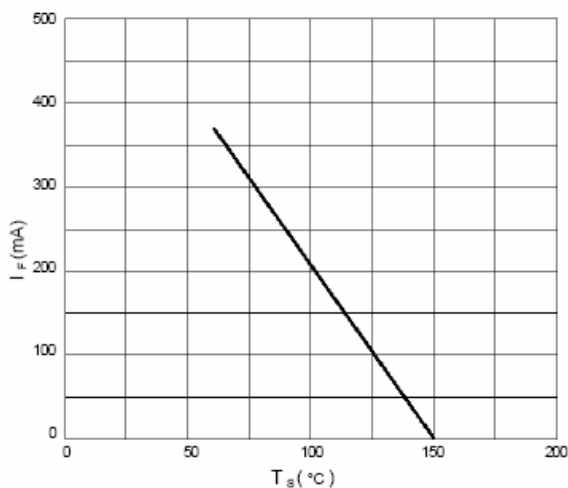


Fig.1 Maximum permissible continuous forward current as a function of soldering point temperature.

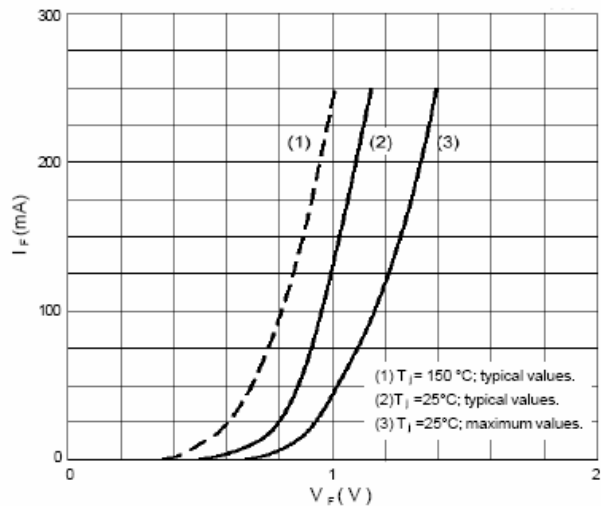


Fig.2 Forward current as a function of forward voltage.

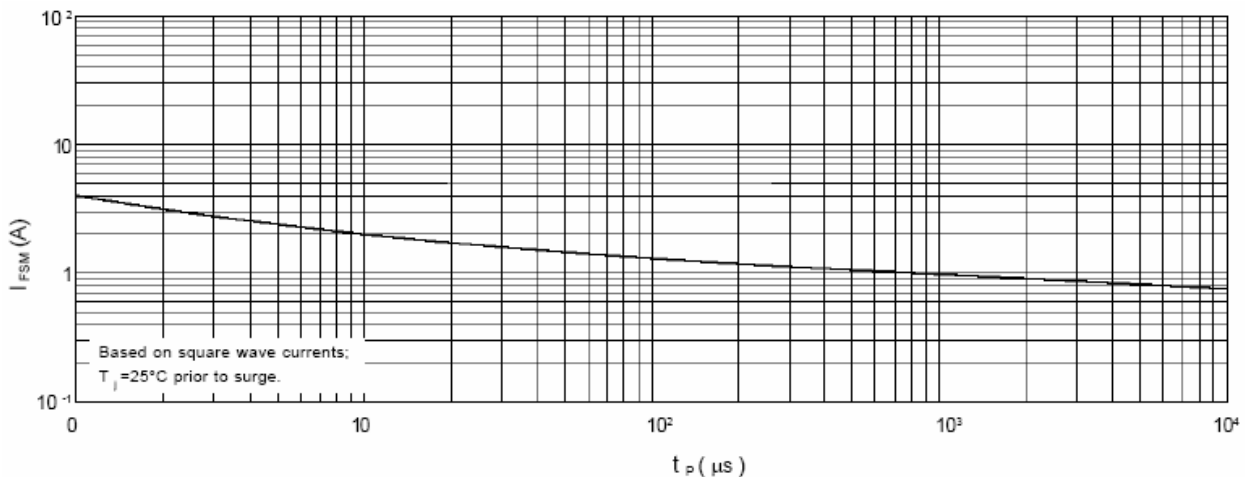


Fig.3 Maximum permissible non-repetitive peak forward current as a function of pulse duration.

High Speed Switching Diode

BAS516

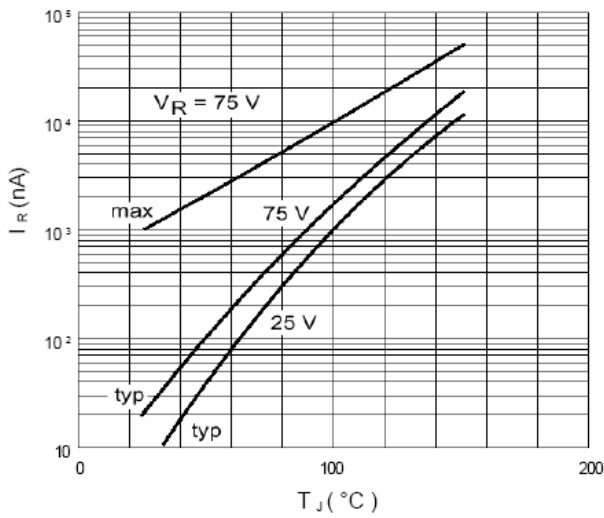


Fig.4 Reverse current as a function of junction temperature.

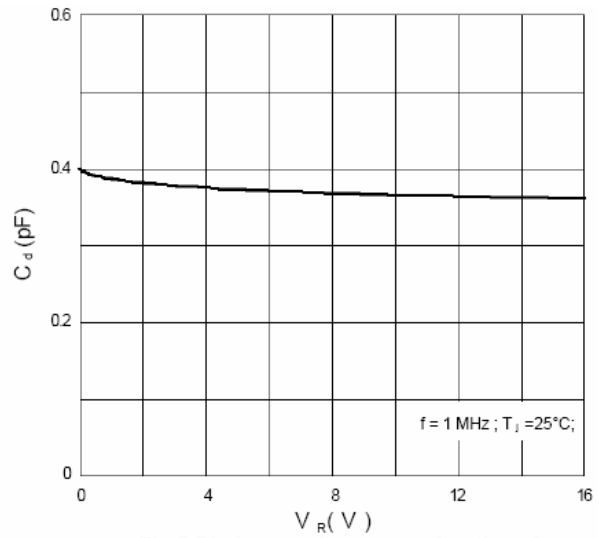
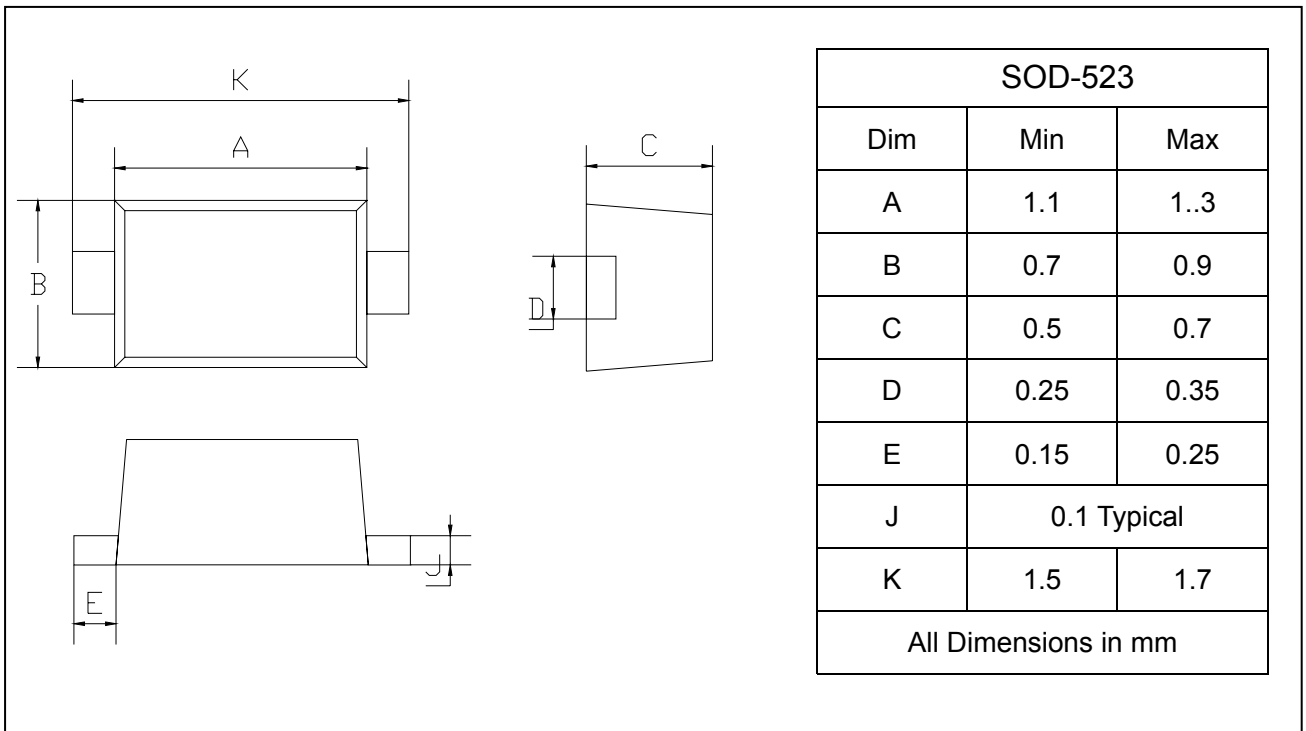


Fig.5 Diode capacitance as a function of reverse voltage; typical values.

PACKAGE OUTLINE

Plastic surface mounted package

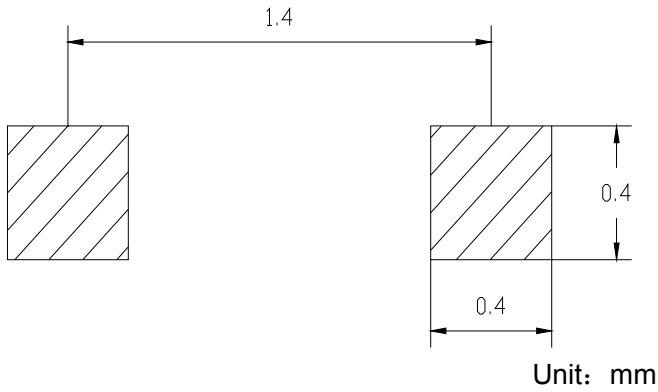
SOD-523



High Speed Switching Diode

BAS516

SOLDERING FOOTPRINT



PACKAGE INFORMATION

Device	Package	Shipping
BAS516	SOD-523	3000/Tape&Reel