

STEERING DIODE ARRAY

APPLICATIONS

- ✓ Ethernet - 10/100/1000 Base T
- ✓ Set Top Box Interfac
- ✓ Handheld Electronics
- ✓ FireWire
- ✓ USB Interface
- ✓ Sensor Interface

IEC COMPATIBILITY (EN61000-4)

- ✓ 61000-4-2 (ESD): Air - 15kV, Contact - 8kV
- ✓ 61000-4-4 (EFT): 40A - 5/50ns
- ✓ 61000-4-5 (Surge): 12A, 8/20 μ s - Level 1(Line-Gnd) & Level 2(Line-Line)

FEATURES

- ✓ ESD Protection > 40 kilovolts
- ✓ Low Clamping Voltage
- ✓ Provides Six (6) Lines of Protection
- ✓ Low Leakage Current < 200nA
- ✓ Low Capacitance: 3pF Typical
- ✓ RoHS Compliant

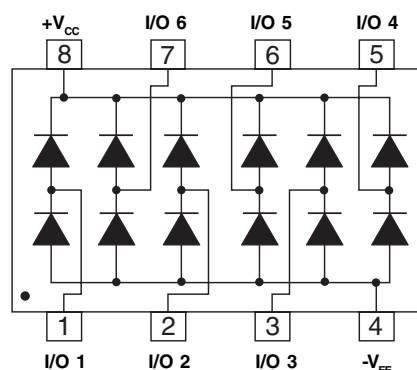
MECHANICAL CHARACTERISTICS

- ✓ Molded JEDEC SO-8
- ✓ Weight 70 milligrams (Approximate)
- ✓ Available in Lead-Free Pure-Tin Plating(Annealed)
- ✓ Solder Reflow Temperature:
Pure-Tin - Sn, 100: 260-270°C
- ✓ Consult Factory for Leaded Device Availability
- ✓ Flammability Rating UL 94V-0
- ✓ 12mm Tape and Reel Per EIA Standard 481
- ✓ Marking: Marking Code, Logo, Date Code & Pin One Defined By Dot on Top of Package



SO-8

PIN CONFIGURATION



DEVICE CHARACTERISTICS

MAXIMUM RATINGS @ 25°C Unless Otherwise Specified

PARAMETER	SYMBOL	VALUE	UNITS
Operating Temperature	T_A	-55 to 150	°C
Storage Temperature	T_{STG}	-55 to 150	°C
Continuous Power Dissipation	P_{PC}	145	mW

ELECTRICAL CHARACTERISTICS PER LINE @ 25°C Unless Otherwise Specified

PART NUMBER	DEVICE MARKING	REPETITIVE PEAK REVERSE VOLTAGE (See Note 1) V_{RRM} VOLTS	TYPICAL FORWARD VOLTAGE 8/20 μ s @ 1A V_F VOLTS	MAXIMUM PEAK PULSE FORWARD CURRENT 8/20 μ s I_{FM} AMPS	MAXIMUM REVERSE LEAKAGE CURRENT (See Note 2) @ V_{RRM} I_R nA	MAXIMUM QUIESCENT SUPPLY CURRENT (See Note 3) @ 20V I_{RO} nA	TYPICAL CAPACITANCE @ 0V, 1MHz C_j pF
ET721	STA	50	2	12	20	200	3

Note 1: V_{RRM} is $+V_{CC}$ for pin 8, $-V_{EE}$ for pin 4.

Note 2: +20V from pin 8 to 1, 2, 3, 5, 6, and 7. -20V from pin 4 to 1, 2, 3, 5, 6 and 7.

Note 3: +20V from pin 8 to 4.

FIGURE 1
NON-REPETITIVE PEAK PULSE CURRENT CAPABILITY

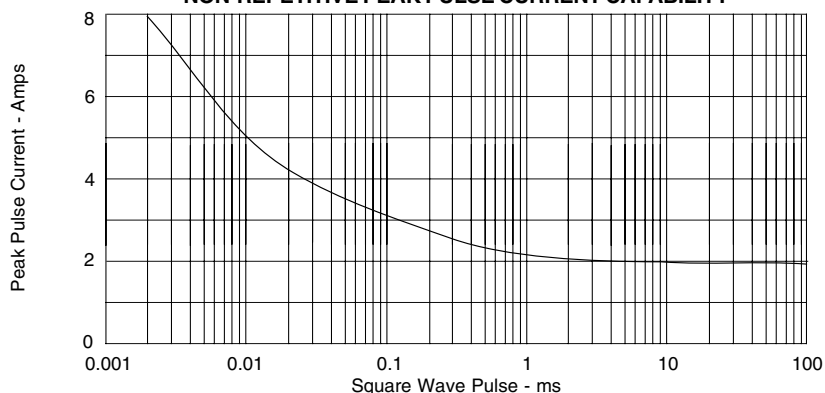
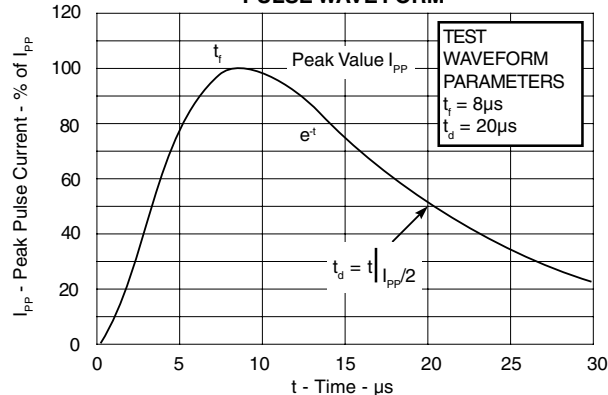
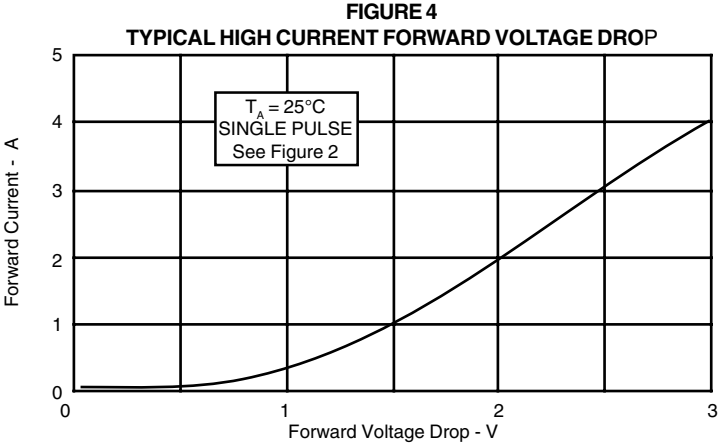
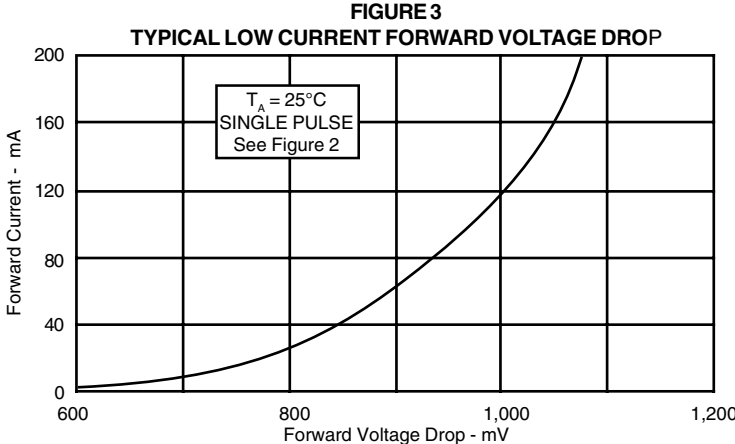


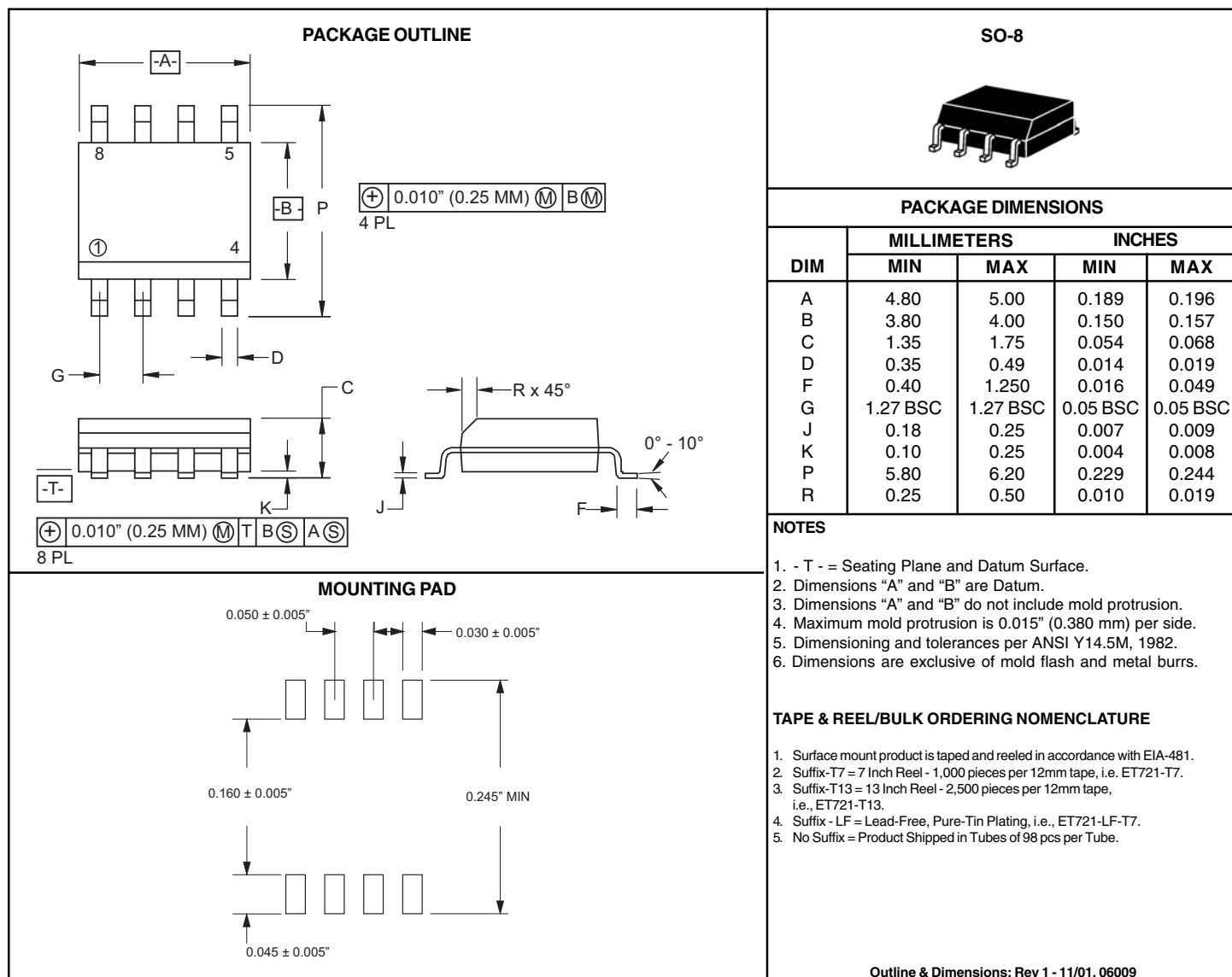
FIGURE 2
PULSE WAVE FORM



GRAPHS



SO-8 PACKAGE OUTLINE & DIMENSIONS



COPYRIGHT © ProTek Devices 2007

SPECIFICATIONS: ProTek reserves the right to change the electrical and or mechanical characteristics described herein without notice (except JEDEC).

DESIGN CHANGES: ProTek reserves the right to discontinue product lines without notice, and that the final judgement concerning selection and specifications is the buyer's and that in furnishing engineering and technical assistance, ProTek assumes no responsibility with respect to the selection or specifications of such products.

ProTek Devices
 2929 South Fair Lane, Tempe, AZ 85282
 Tel: 602-431-8101 Fax: 602-431-2288
 E-Mail: sales@protekdevices.com
 Web Site: www.protekdevices.com