

Small Signal Product

Steering Diode Structure ESD Protection Array

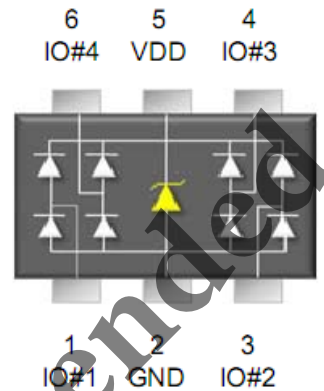
FEATURES

- Meet IEC61000-4-2 (ESD) $\pm 15\text{kV}$ (air), $\pm 8\text{kV}$ (contact)
- Meet IEC61000-4-4 (EFT) rating, 40A (5/50ns)
- Protects two directional I/O lines
- Working voltage: 5V
- Pb free version and RoHS compliant
- Packing code with suffix "G" means green compound (halogen-free)


SOT-363

MECHANICAL DATA

- Case: SOT-363 small outline plastic package
- Terminal: Matte tin plated, lead free., solderable per MIL-STD-202, Method 208 guaranteed
- Molding compound flammability Rating : UL 94V-0
- High temperature soldering guaranteed : $260^{\circ}\text{C}/10\text{s}$
- Weight: $8 \pm 0.5 \text{ mg}$
- Marking code: B54


APPLICATIONS

- USB Power & Data Line Protection
- Notebooks, Desktops, Servers and Video Graphics Cards
- Monitors and Flat Panel Displays
- Portable Instrumentation
- Set Top Box

MAXIMUM RATINGS AND ELECTRICAL CHARACTERISTICS ($T_A=25^{\circ}\text{C}$ unless otherwise noted)			
PARAMETER	SYMBOL	VALUE	UNIT
Peak Pulse Power (tp=8/20 μs waveform)	P_{PP}	150	W
Peak Pulse Current (tp=8/20 μs)	I_{PP}	3	A
ESD per IEC 61000-4-2 (Air)	V_{ESD}	± 15	KV
ESD per IEC 61000-4-2 (Contact)		± 8	
Junction and Storage Temperature Range	T_J, T_{STG}	-55 to +150	$^{\circ}\text{C}$

PARAMETER	SYMBOL	MIN	MAX	UNIT
Reverse Stand-Off Voltage	V_{RWM}	-	5	V
Reverse Breakdown Voltage	$V_{(BR)}$	6	-	V
Reverse Leakage Current				
Clamping Voltage	V_C	-	15	V
			25	
Junction Capacitance	C_J	2		pF

Small Signal Product

RATINGS AND CHARACTERISTICS CURVES

($T_A=25^\circ\text{C}$ unless otherwise noted)

Fig. 1 Non-Repetitive Peak Pulse Power VS. Pulse

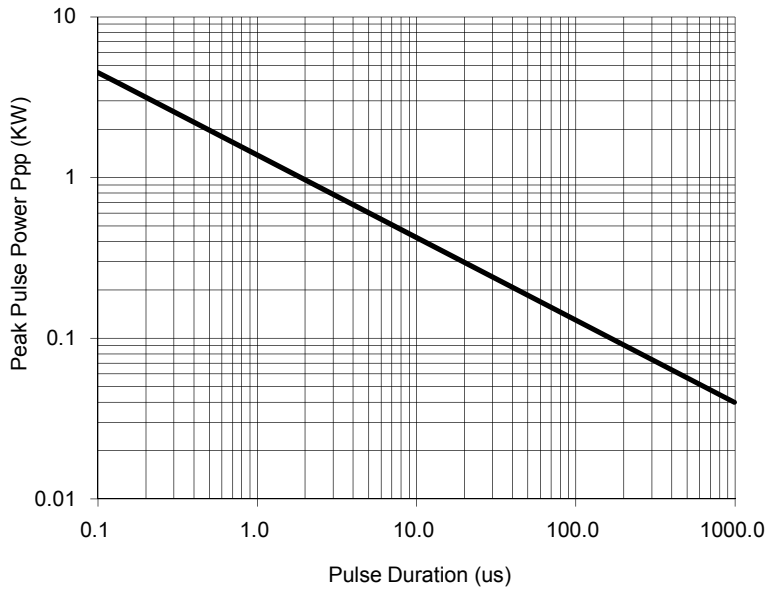


Fig. 2 Pulse Waveform

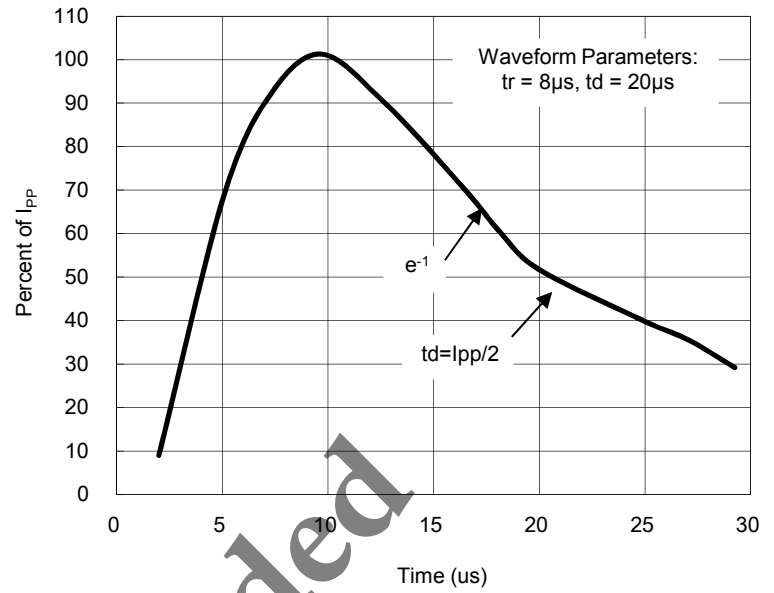


Fig.3 Admissible Power Dissipation Curve

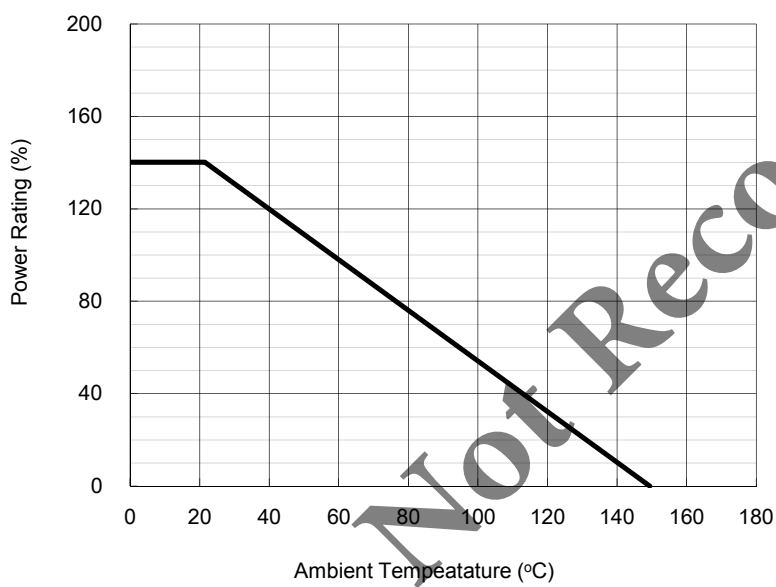


Fig. 4 Typical Junction Capacitance

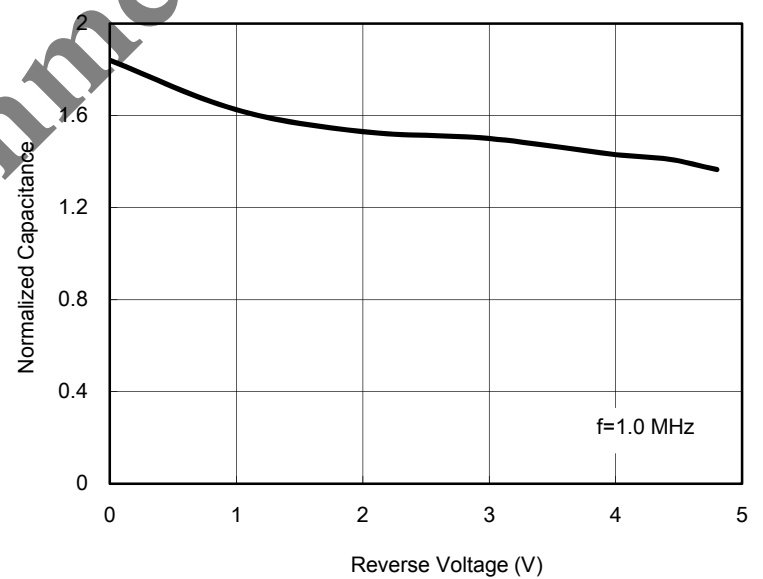
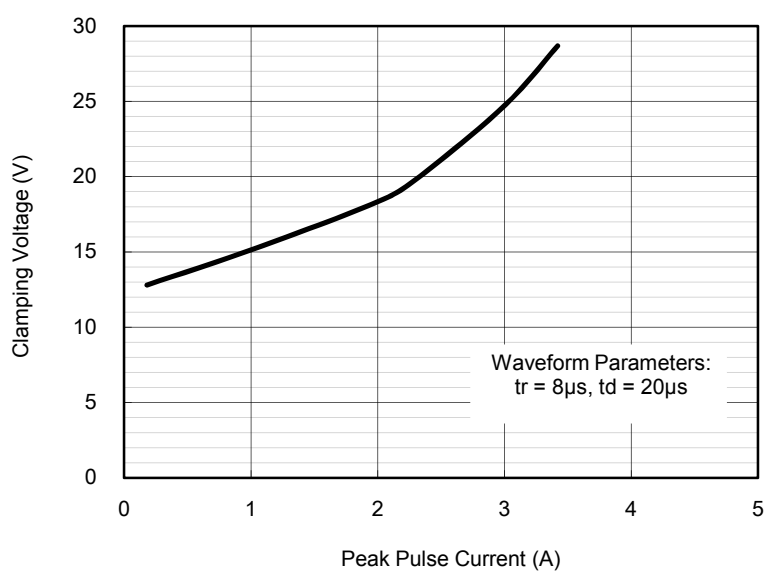


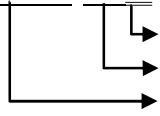
Fig. 5 Clamping Voltage VS. Peak Pulse Current



Small Signal Product

ORDER INFORMATION (EXAMPLE)

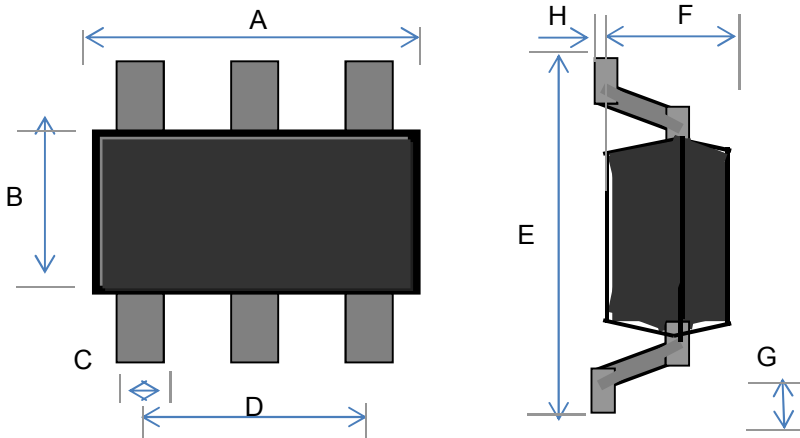
TESDV5V0A RFG



Green compound code
Packing code
Part no.

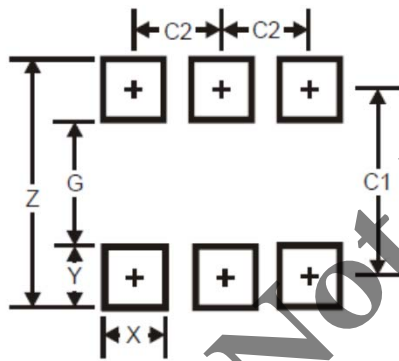
PACKAGE OUTLINE DIMENSIONS

SOT-363



DIM.	Unit (mm)		Unit (inch)	
	Min	Max	Min	Max
A	2.00	2.20	0.079	0.087
B	1.15	1.35	0.045	0.053
C	0.15	0.35	0.006	0.014
D	1.20	1.40	0.047	0.055
E	2.15	2.45	0.085	0.096
F	0.85	1.05	0.033	0.041
G	0.25	0.46	0.010	0.018
H	0.00	0.10	0.000	0.004

SUGGEST PAD LAYOUT



DIM.	Unit (mm)	Unit (inch)
	Typ.	Typ.
Z	3.20	0.126
G	1.60	0.063
X	0.55	0.022
Y	0.80	0.031
C1	2.40	0.094
C2	0.95	0.037

Note: 1. The suggested land pattern dimensions have been provided for reference only, as actual pad layouts may vary depending on application.

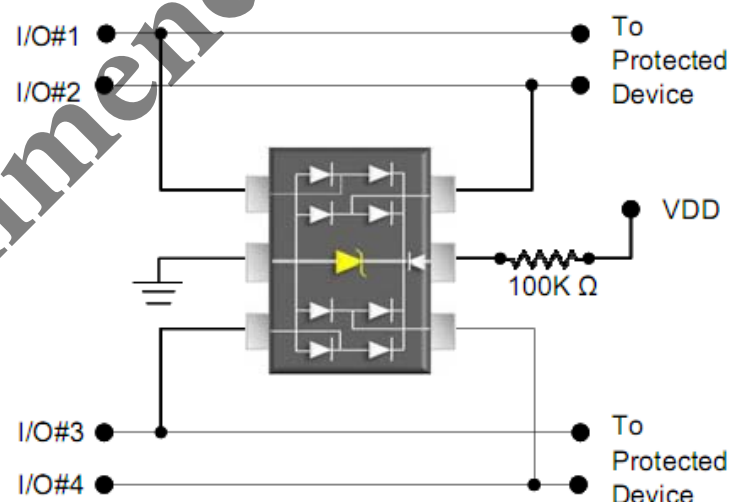
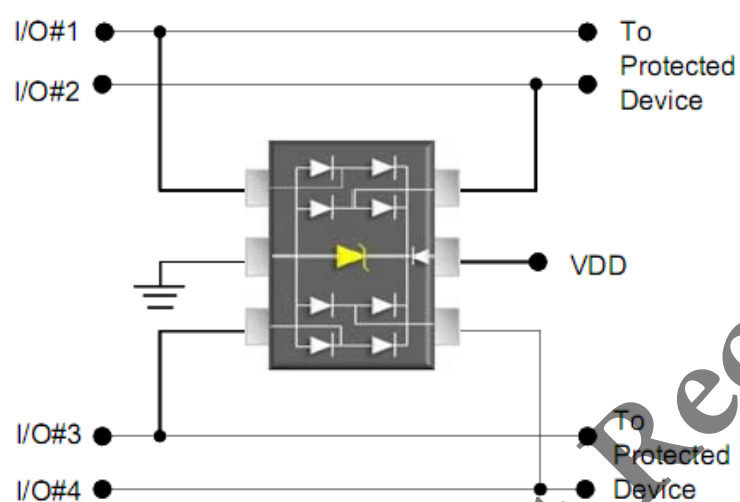
Small Signal Product

APPLICATIONS INFORMATION

- ◇ Designed to protect high speed data interfaces
- ◇ Designed to protect four data lines from transient over-voltages by clamping them to a fixed reference
- ◇ Designed to protect sensitive components which are connected to data and transmission lines from overvoltage caused by electrostatic discharge (ESD), electrical fast transients (EFT), and lightning.
- ◇ TESDV5V0A incorporates eight surge rated, low capacitance steering diodes and a TVS diode in a single package
- ◇ During transient conditions, the steering diodes direct the transient to either the positive side of the power supply line or to ground
- ◇ The internal TVS diode prevents over-voltage on the power line, protecting any downstream components

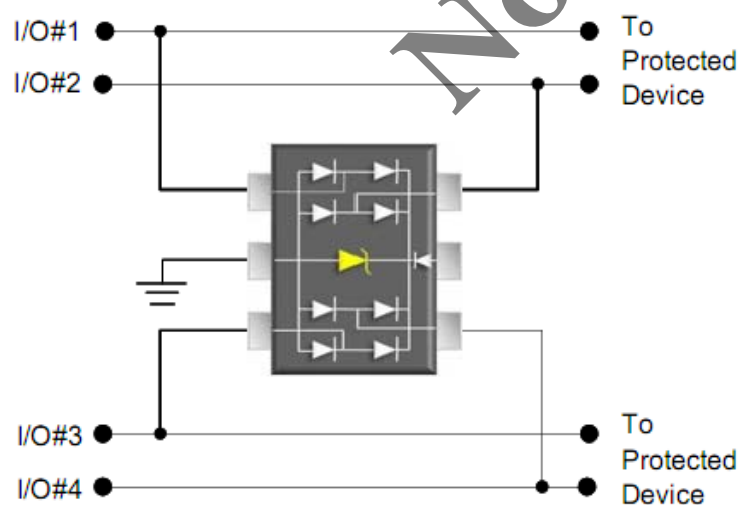
CIRCUIT BOARD LAYOUT RECOMMENDATIONS

- ◇ To protect data lines and the power line, connect pin 5 directly to the VDD. In this configuration the data lines are referenced to the supply voltage. The internal TVS diode prevents over-voltage on the supply rail.
- ◇ The TESDV5V0A can be isolated from the power supply by adding a series resistor between pin 5 and VDD. A value of 100kΩ is recommended. The internal TVS and steering diodes remain biased, providing the advantage of lower capacitance.
- ◇ In applications where no positive supply reference is available, or complete supply isolation is desired, the internal TVS may be used as the reference. In this case, pin 5 is not connected. The steering diodes will begin to conduct when the voltage on the protected line exceeds the working voltage of the TVS (plus one diode drop).



- ◇ Data Line and Power Supply Protection Using Vcc as reference

- ◇ Data Line Protection with Bias and Power Supply Isolation



- ◇ Data Line Protection Using Internal TVS Diode as Reference

Not Recommended

Notice

Specifications of the products displayed herein are subject to change without notice. TSC or anyone on its behalf, assumes no responsibility or liability for any errors or inaccuracies.

Information contained herein is intended to provide a product description only. No license, express or implied, to any intellectual property rights is granted by this document. Except as provided in TSC's terms and conditions of sale for such products, TSC assumes no liability whatsoever, and disclaims any express or implied warranty, relating to sale and/or use of TSC products including liability or warranties relating to fitness for a particular purpose, merchantability, or infringement of any patent, copyright, or other intellectual property right.

The products shown herein are not designed for use in medical, life-saving, or life-sustaining applications. Customers using or selling these products for use in such applications do so at their own risk and agree to fully indemnify TSC for any damages resulting from such improper use or sale.