

Boosting Voltage Regulators

GENERAL DESCRIPTION

The XC62E series are a group of positive output voltage regulators that can supply up to 1A of output current using an external transistor. Low power and high accuracy are achieved through CMOS process and laser trimming technologies.

The series consists of a high precision voltage reference, an error correction circuit and a short-circuit protected output driver. In stand-by mode, supply current can be dramatically cut. Since the input-output voltage differential is small, loss control efficiency is good.

The XC62E is particularly suited for use with battery operated portable products, and products where supply current regulation is required.

The series are available in an ultra small SOT-25 package.

In connection with the CE function, apart from the negative logic XC62EP series, a positive logic XC62ER series (custom) is also available.

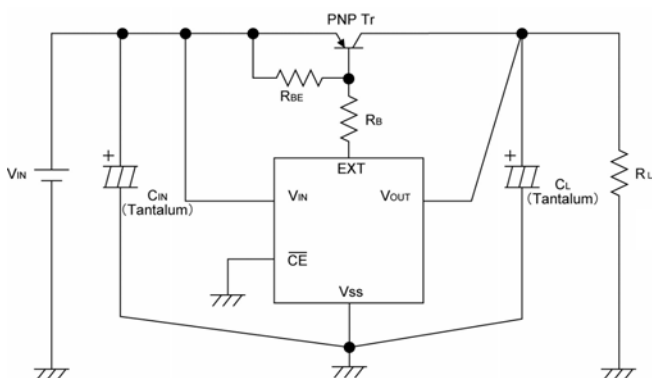
APPLICATIONS

- Portable cameras and video recorders
- Battery powered equipment
- Palmtops
- Reference voltage sources

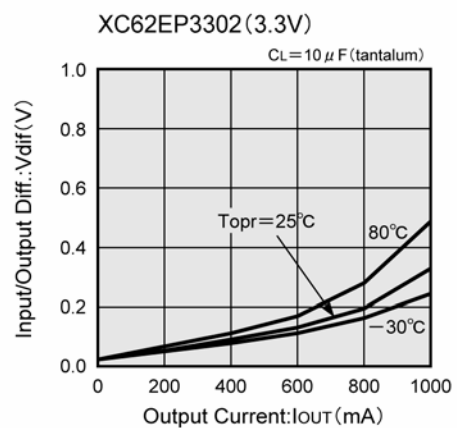
FEATURES

- Dropout Voltage** : 0.1A@100mA
(Performance depends on the external transistor characteristics.)
- Maximum Output Current** : 1000mA
- Output Voltage Range** : 1.5V~6.0V in 100mV increments
- Highly Accurate** : Setting voltage $\pm 2\%$
- Low Power Consumption**: 50 μ A ($V_{OUT}=5.0V$) (TYP.)
: 0.2 μ A (Stand-by) (TYP.)
- Output Voltage Temperature Characteristics**
: ± 100 ppm/ (TYP.)
- Line Regulation** : 0.1%/V (TYP.)
- CMOS Low Power Consumption**
- Ultra Small Package** : SOT-25 mini-mold

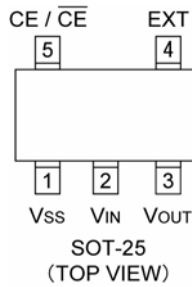
TYPICAL APPLICATION CIRCUIT



TYPICAL PERFORMANCE CHARACTERISTICS



PIN CONFIGURATION



PIN ASSIGNMENT

PIN NUMBER	PIN NAME	FUNCTION
1	Vss	Ground
2	VIN	Supply Voltage Input
3	VOUT	Regulated Voltage Output
4	EXT	Base Current Control
5	CE/CE	Chip Enable

FUNCTION

SERIES	CE	OUTPUT VOLTAGE
XC62ER	H	ON
	L	OFF
XC62EP	H	OFF
	L	ON

H=High level

L=Low level

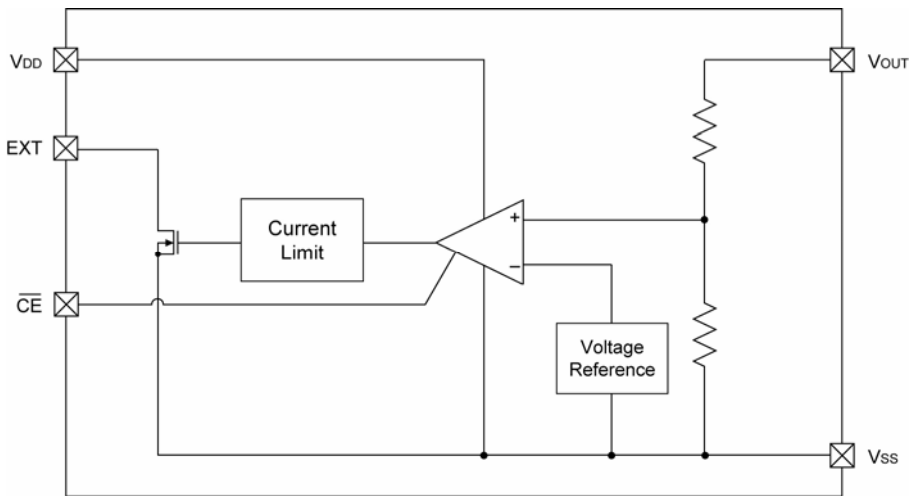
PRODUCT CLASSIFICATION

Ordering Information

XC62E _____

DESIGNATOR	DESCRIPTION	SYMBOL	DESCRIPTION
	CE Pin Logic	R	: Positive
		P	: Negative
	Output Voltage	15 ~ 60	: e.g. VOUT 1.5V → =1, =5 VOUT 6.0V → =6, =0
	Temperature Characteristics	0	: ± 100ppm (TYP.)
	Output Voltage Accuracy	2	: ± 2%
	Package	M	: SOT-25
	Device Orientation	R	: Embossed tape, standard feed
		L	: Embossed tape, reverse feed

BLOCK DIAGRAM



ABSOLUTE MAXIMUM RATINGS

Ta = 25

PARAMETER	SYMBOL	RATINGS	UNITS
V _{IN} Input Voltage	V _{IN}	12.0	V
V _{OUT} Output Voltage	V _{OUT}	V _{SS} -0.3~V _{IN} +0.3	V
CE/CE Input Voltage	V _{CE}	V _{SS} -0.3~V _{IN} +0.3	V
EXT Output Voltage	V _{EXT}	12.0	V
EXT Output Current	I _{EXT}	50	mA
Power Dissipation	P _d	150	mW
Operating Temperature Range	T _{opr}	-30~+80	
Storage Temperature Range	T _{stg}	-40 ~ +125	

ELECTRICAL CHARACTERISTICS

XC62EP3002 $V_{OUT}(T)=3.0V$ (*1)

$T_a=25$

PARAMETER	SYMBOL	CONDITIONS	MIN.	TYP.	MAX.	UNITS
Output Voltage	$V_{OUT(E)}$ (*2)	$I_{OUT}=50mA$ $V_{IN}=4.0V$	2.940	3.000	3.060	V
Maximum Output Current*	$I_{OUT\ max}$	$V_{IN}=4.0V$	-	1000	-	mA
Load Regulation (*6)	V_{OUT}	$V_{IN}=4.0V$ $1mA\ I_{OUT}\ 100mA$	-60	-	60	mV
Dropout Voltage (*3)	V_{dif}	$I_{OUT}=100mA$	-	100	-	mV
Supply Current 1	I_{SS1}	$V_{IN}=4.0V, V_{CE}=V_{SS}$	-	50	80	μA
Supply Current 2	I_{SS2}	$V_{IN}=8.0V, V_{CE}=V_{IN}$	-	-	0.6	μA
Line Regulation (*6)	$\frac{V_{OUT}}{V_{IN} \cdot V_{OUT}}$	$I_{OUT}=50mA$ $4.0V\ V_{IN}\ 8.0V$	-	0.1	0.3	%V
Input Voltage	V_{IN}		-	-	8.0	V
Output Voltage Temperature Characteristics (*6)	$\frac{V_{OUT}}{T_{opr} \cdot V_{OUT}}$	$I_{OUT}=10mA$ $-30\ T_{opr}\ 80$	-	± 100	-	ppm/
EXT Output Voltage	V_{EXT}		-	-	8.0	V
EXT Leak Current	I_{LEAK}		-	-	0.5	μA
CE "High" Level Voltage	V_{CEH}		1.5	-	-	V
CE "Low" Level Voltage	V_{CEL}		-	-	0.25	V
CE "High" Level Current	I_{CEH}	$V_{CE}=V_{IN}$	-	-	0.1	μA
CE "Low" Level Current	I_{CEL}	$V_{CE}=V_{SS}$	-0.2	-0.05	0	μA

The characteristics for the XC62ER series are the same as above except for the CE operating logic, which is the opposite.

NOTE:

- *1: $V_{OUT}(T)$ =Specified output voltage.
- *2: $V_{OUT(E)}$ =Effective output voltage (i.e. the output voltage when " $V_{OUT}(T)+1.0V$ " is provided at the V_{IN} pin while maintaining a certain I_{OUT} value).
- *3: $V_{dif} = \{V_{IN1}^{(*5)} - V_{OUT1}^{(*4)}\}$
- *4: V_{OUT1} = A voltage equal to 98% of the output voltage whenever an amply stabilized I_{OUT} ($V_{OUT}(T)+1.0V$) is input.
- *5: V_{IN1} =The input voltage when V_{OUT1} appears as input voltage is gradually decreased.
- *6: The characteristics for the parameters are liable to vary depending on which transistor is used.
Please use a transistor with a low saturation voltage level and hFE equal to 100 or more.
- *7: The maximum output current value is not a value representing continuous output due to the limitations of the 2AS1213 transistor's power dissipation.

ELECTRICAL CHARACTERISTICS (Continued)

XC62EP4002

VOUT(T)=4.0V(*1)

Ta=25

PARAMETER	SYMBOL	CONDITIONS	MIN.	TYP.	MAX.	UNITS
Output Voltage	VOUT(E) (*2)	IOUT=50mA VIN=5.0V	3.920	4.000	4.080	V
Maximum Output Current (*6)	IOUT max	VIN=5.0V	-	1000	-	mA
Load Regulation (*6)	VOUT	VIN=5.0V 1mA IOUT 100mA	-60	-	60	mV
Dropout Voltage (*3)	Vdif	IOUT=100mA	-	100	-	mV
Supply Current 1	ISS1	VIN=5.0V, VCE=VSS	-	50	80	μA
Supply Current 2	ISS2	VIN=8.0V, VCE=VIN	-	-	0.6	μA
Line Regulation (*6)	$\frac{VOUT}{VIN \cdot VOUT}$	IOUT=50mA 5.0V VIN 8.0V	-	0.1	0.3	%V
Input Voltage	VIN		-	-	8.0	V
Output Voltage Temperature Characteristics (*6)	$\frac{VOUT}{Topr \cdot VOUT}$	IOUT=10mA -30 Topr 80	-	± 100	-	ppm/
EXT Output Voltage	VEXT		-	-	8.0	V
EXT Leak Current	I _{LEAK}		-	-	0.5	μA
\overline{CE} "High" Level Voltage	VCEH		1.5	-	-	V
\overline{CE} "Low" Level Voltage	VCEL		-	-	0.25	V
\overline{CE} "High" Level Current	ICEH	VCE=VIN	-	-	0.1	μA
\overline{CE} "Low" Level Current	ICEL	VCE=VSS	-0.2	-0.05	0	μA

XC62EP4002

VOUT(T)=5.0V(*1)

Ta=25

PARAMETER	SYMBOL	CONDITIONS	MIN.	TYP.	MAX.	UNITS
Output Voltage	VOUT(E) (*2)	IOUT=50mA VIN=6.0V	4.940	5.000	5.100	V
Maximum Output Current (*6)	IOUT max	VIN=6.0V	-	1000	-	mA
Load Regulation (*6)	VOUT	VIN=6.0V 1mA IOUT 100mA	-60	-	60	mV
Dropout Voltage (*3)	Vdif	IOUT=100mA	-	100	-	mV
Supply Current 1	ISS1	VIN=6.0V, VCE=VSS	-	50	80	μA
Supply Current 2	ISS2	VIN=8.0V, VCE=VIN	-	-	0.6	μA
Line Regulation (*6)	$\frac{VOUT}{VIN \cdot VOUT}$	IOUT=50mA 6.0V VIN 8.0V	-	0.1	0.3	%V
Input Voltage	VIN		-	-	8.0	V
Output Voltage Temperature Characteristics (*6)	$\frac{VOUT}{Topr \cdot VOUT}$	IOUT=10mA -30 Topr 80	-	± 100	-	ppm/
EXT Output Voltage	VEXT		-	-	8.0	V
EXT Leak Current	I _{LEAK}		-	-	0.5	μA
\overline{CE} "High" Level Voltage	VCEH		1.5	-	-	V
\overline{CE} "Low" Level Voltage	VCEL		-	-	0.25	V
\overline{CE} "High" Level Current	ICEH	VCE=VIN	-	-	0.1	μA
\overline{CE} "Low" Level Current	ICEL	VCE=VSS	-0.2	-0.05	0	μA

The characteristics for the XC62ER series are the same as above except for the CE operating logic, which is the opposite.

Note: *1. VOUT(T)=Specified output voltage.

*2. VOUT(E)=Effective output voltage (i.e. the output voltage when "VOUT(T)+1.0V" is provided at the VIN pin while maintaining a certain IOUT value).

*3. Vdif= {VIN1 (*5)-VOUT1 (*4)}

*4. VOUT1= A voltage equal to 98% of the output voltage whenever an amply stabilized IOUT {VOUT(T)+1.0V} is input.

*5. VIN1= The input voltage when VOUT1 appears as input voltage is gradually decreased.

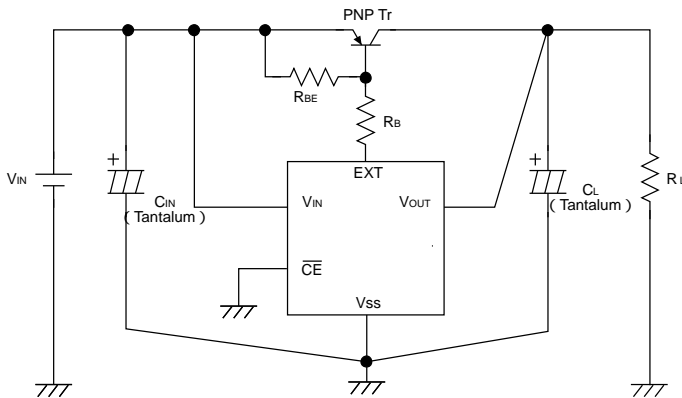
*6. The characteristics for the parameters are liable to vary depending on which transistor is used.

Please use a transistor with a low saturation voltage level and hFE equal to 100 or more.

*7. The maximum output current value is not a value representing continuous output due to the limitations of the 2AS1213 transistor's power dissipation.

TYPICAL APPLICATION CIRCUIT

Standard Circuit



External Components:

PNP Tr.: 2SA1213

RBE: 20kΩ ~ 47kΩ

RB: Please refer to Note 2 on the following page.

CIN: 10μF (Tantalum)

CL: 47μF (Tantalum) 10μF minimum

OPERATIONAL EXPLANATION

Output voltage (VOUT) can be fixed by revising the external transistor's base current. This can be done by comparing the detected voltage level and the setting voltage power supply level.

With the XC62EP (CE negative voltage), if a voltage above the CE pin's "H" level is applied, the IC will enter stand-by mode where the base and differential amplifier's currents are regulated.

NOTES ON USE

1. PNP Transistor

The selection of a transistor should take into account output current, input voltage and power dissipation for each specific application. It is recommended that a transistor that has a low output saturated voltage (VCE) and high hFE characteristics be used.

2. RB Resistor

Although the IC unit is protected by a base current remitter circuit, it is recommended that a resistor (RB) be connected between the transistor's base and the IC's EXT pin to protect the transistor.

Required output current can be calculated using the following equation although characteristic variations and conditions of use should be carefully checked before use. The following equation also indicates the conditions needed to obtain IOUT (MAX.) at VIN (MIN.). However, the larger the input current, the larger the output current (IOUT) that can be obtained.

$$\frac{V_{IN(MIN.)} - 1.2(V)}{R_B} - \frac{0.7(V)}{R_{BE}} > \frac{I_{OUT(MAX.)}}{hFE}$$

3. RBE Resistor, CL Capacitor

To prevent oscillation due to output load variation, use of a phase compensation capacitor CL is recommended. Please use a Tantalum capacitor of at least 10mF. Please also use an RBE resistor of less than 47k .

An RBE resistor of between 20k and 47k is recommended for less power consumption.

4. Input Impedance

In order to control oscillation brought about as a result of impedance at the power supply line, connect a capacitor of 10 μ F or more (Tantalum) between the external transistor's emitter and the ground pin.

Protection Circuit

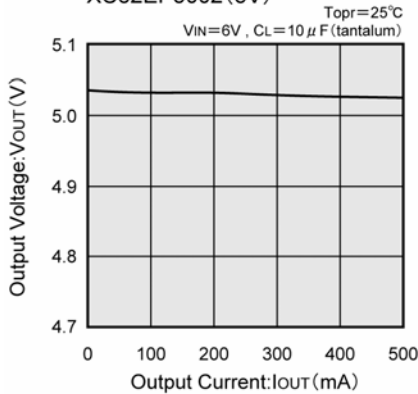
The built-in protection circuit is to protect the IC only. Therefore to prevent output shorts and overshoot current through the transistor, use of a resistor RB or an overshoot current protection circuit is recommended.

Care should also be taken with the transistor's power dissipation.

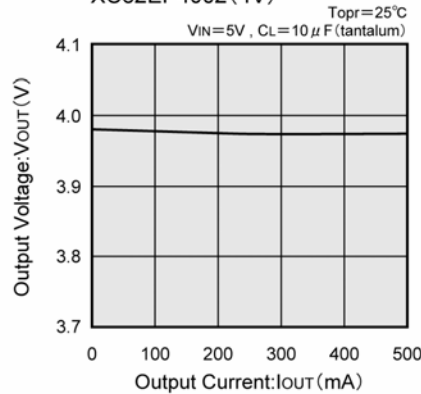
TYPICAL PERFORMANCE CHARACTERISTICS

(1) Output Voltage vs. Output Current

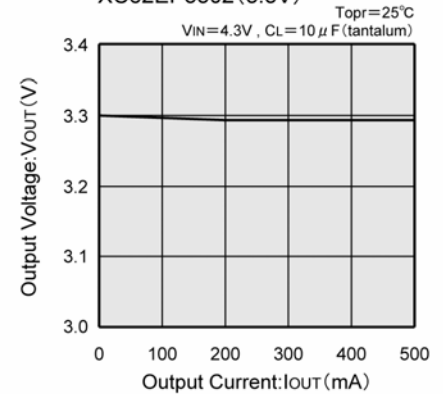
XC62EP5002 (5V)



XC62EP4002 (4V)

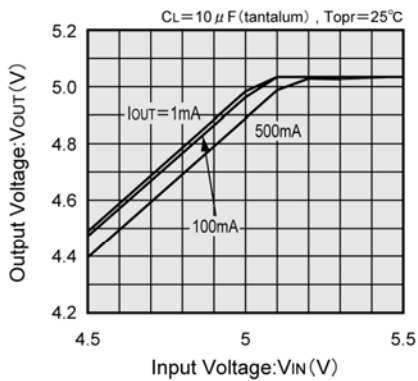


XC62EP3302 (3.3V)

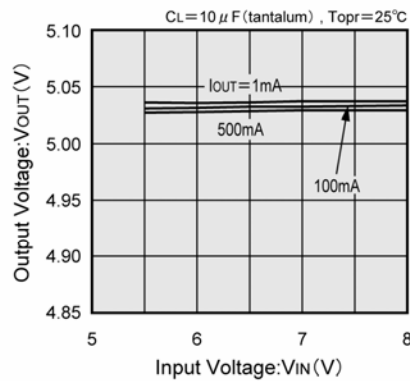


(2) Output Voltage vs. Input Voltage

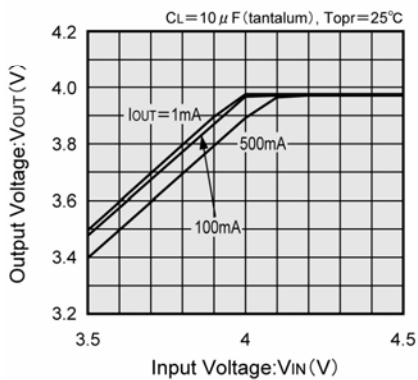
XC62EP5002 (5V)



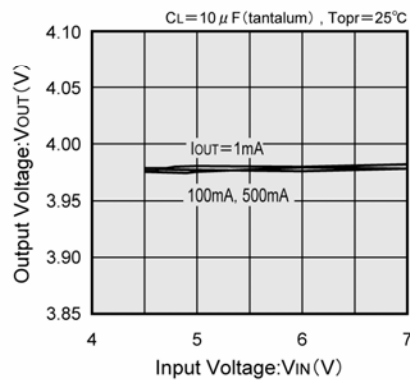
XC62EP5002 (5V)



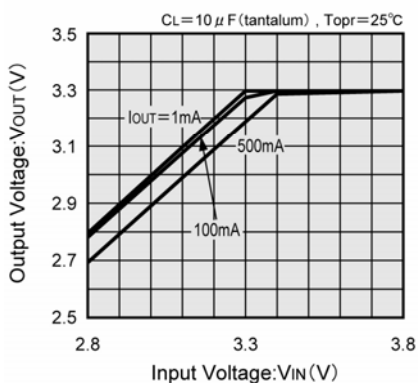
XC62EP4002 (4V)



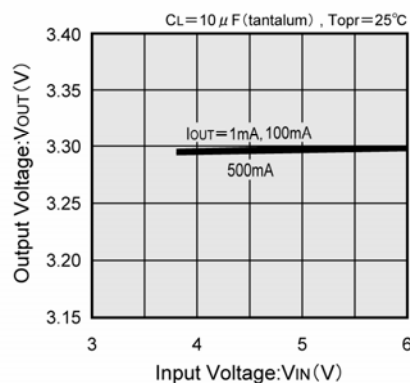
XC62EP4002 (4V)



XC62EP3302 (3.3V)

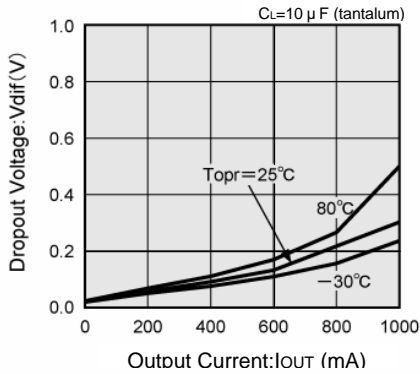


XC62EP3302 (3.3V)

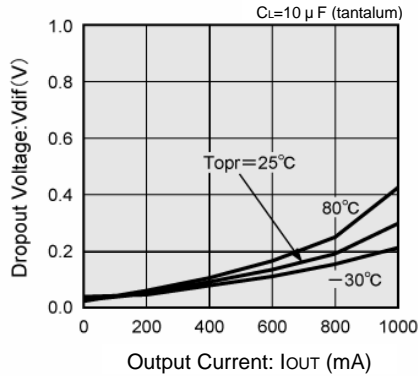


TYPICAL PERFORMANCE CHARACTERISTICS (Continued)

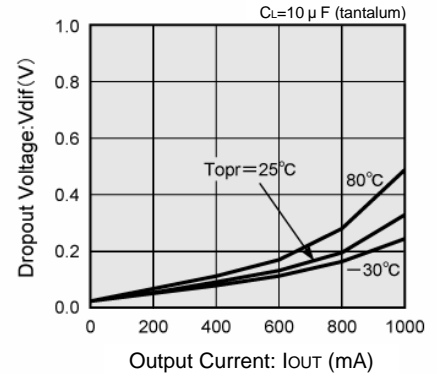
(3) Dropout Voltage vs. Output Current
XC62EP5002 (5V)



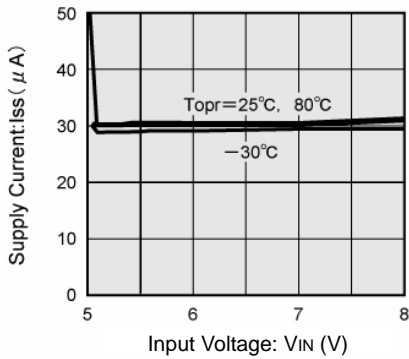
XC62EP4002 (4V)



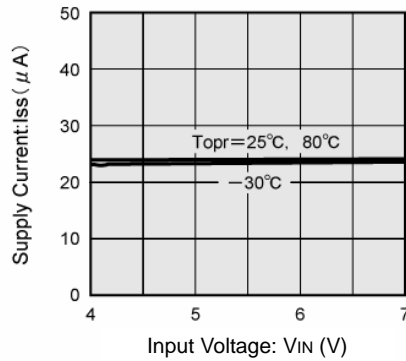
XC62EP3302 (3.3V)



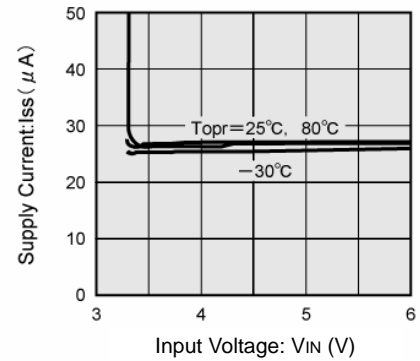
(4) Supply Current vs. Input Voltage
XC62EP5002 (5V)



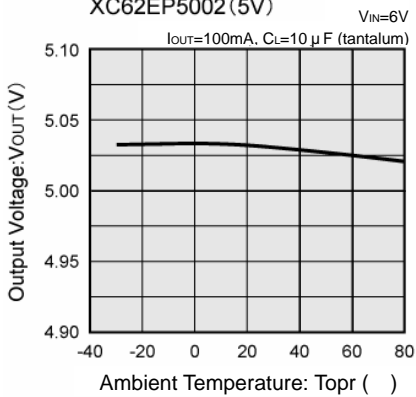
XC62EP4002 (4V)



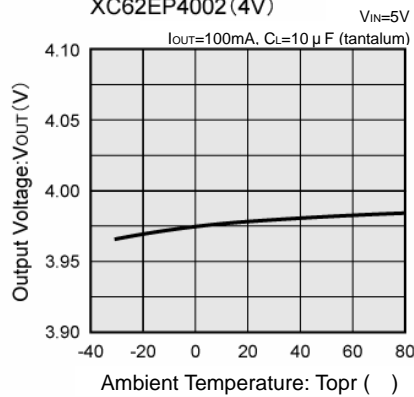
XC62EP3302 (3.3V)



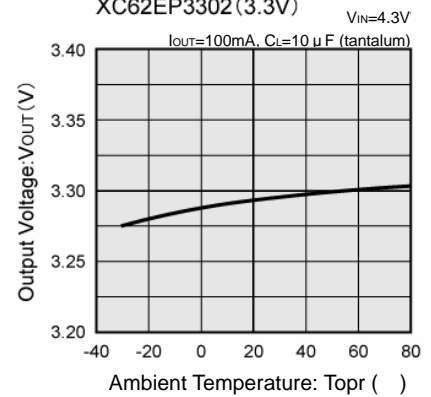
(5) Output Voltage vs. Ambient Temperature
XC62EP5002 (5V)



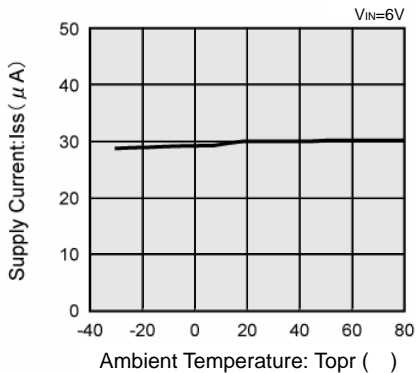
XC62EP4002 (4V)



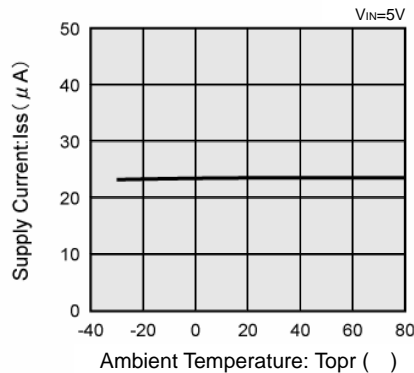
XC62EP3302 (3.3V)



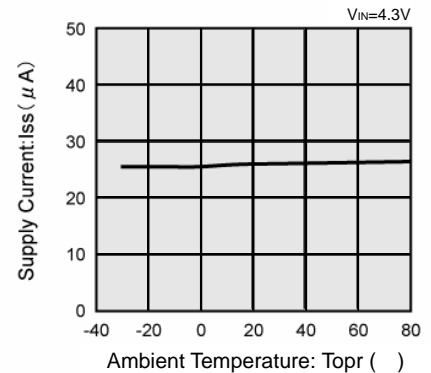
(6) Supply Current vs. Ambient Temperature
XC62EP5002 (5V)



XC62EP4002 (4V)

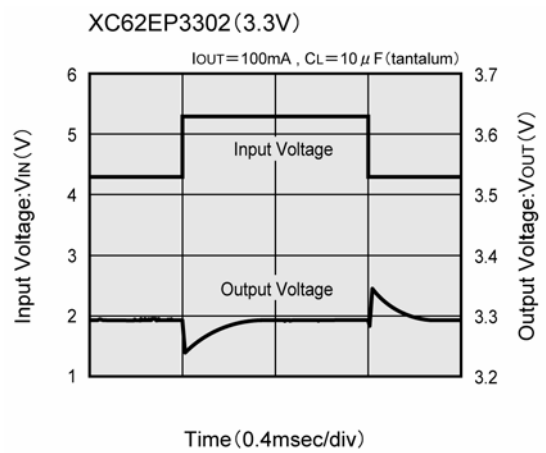
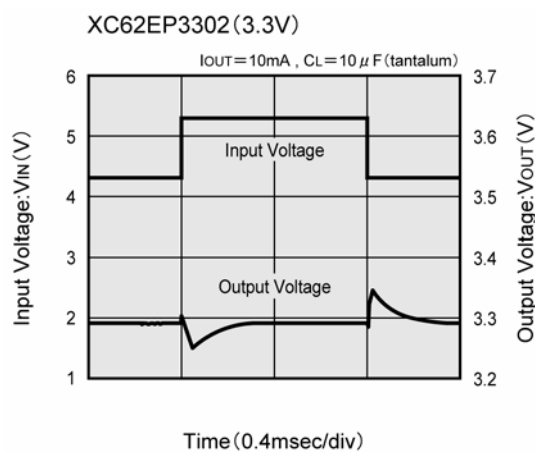
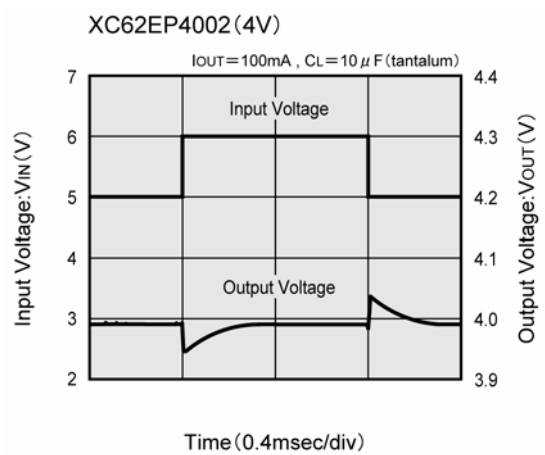
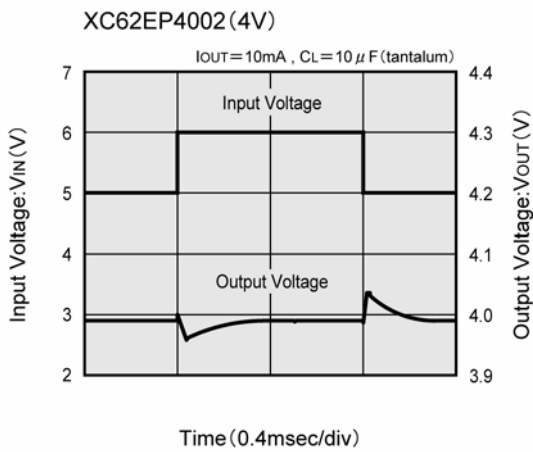
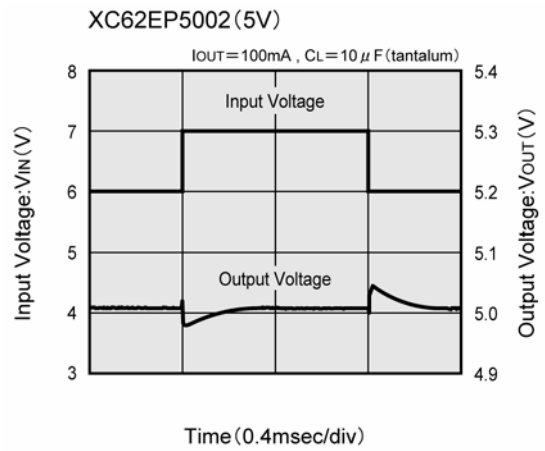
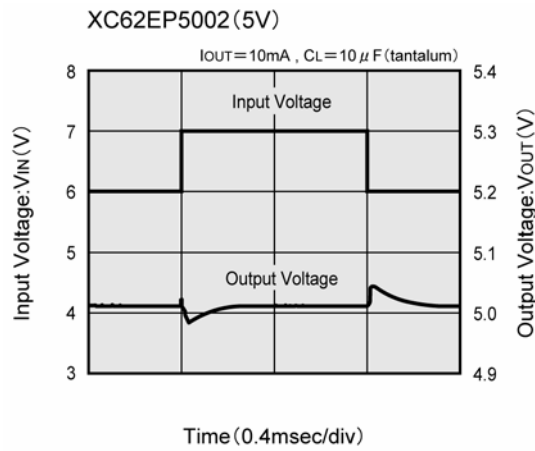


XC62EP3302 (3.3V)



TYPICAL PERFORMANCE CHARACTERISTICS (Continued)

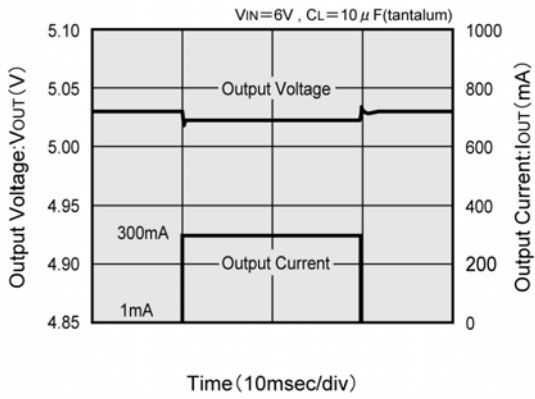
(7) Input Transient Response



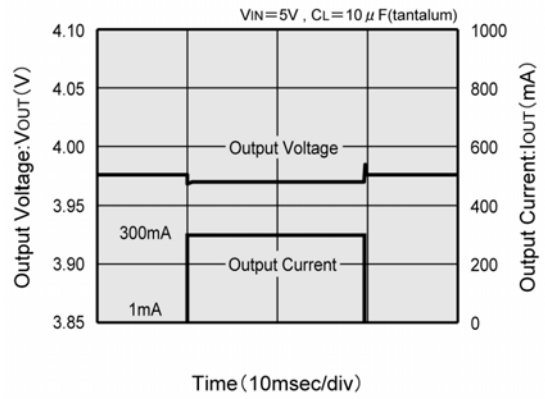
TYPICAL PERFORMANCE CHARACTERISTICS (Continued)

(8) Load Transient Response

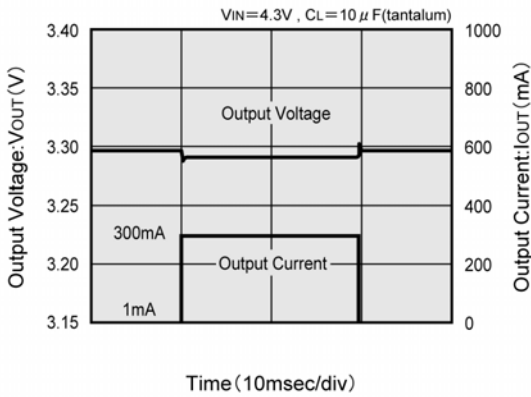
XC62EP5002 (5V)



XC62EP4002 (4V)

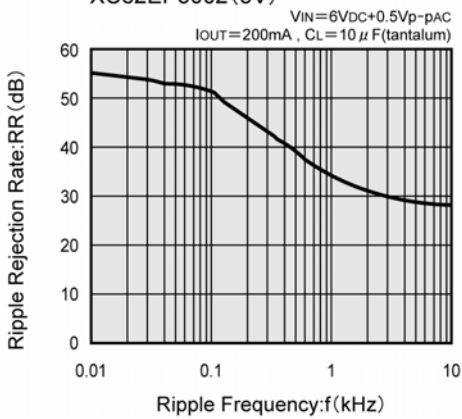


XC62EP3302 (3.3V)

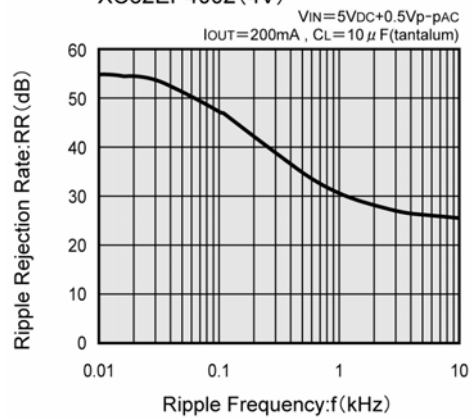


(9) Ripple Rejection Rate

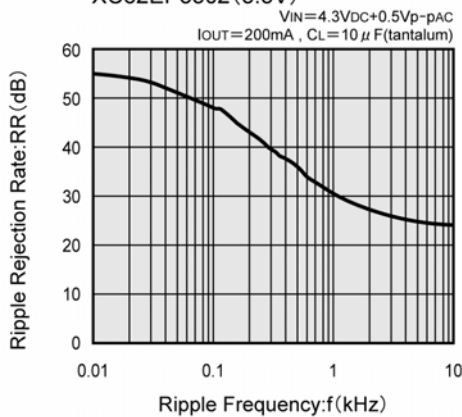
XC62EP5002 (5V)



XC62EP4002 (4V)

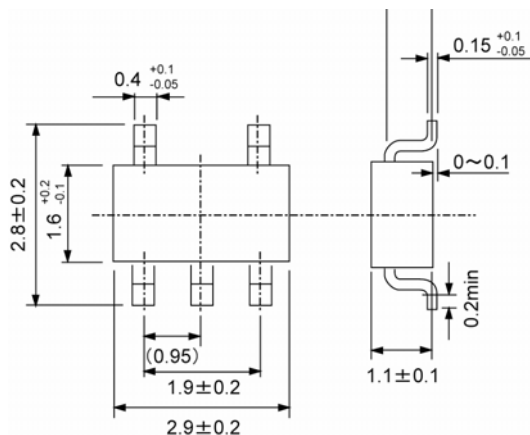


XC62EP3302 (3.3V)



PACKAGING INFORMATION

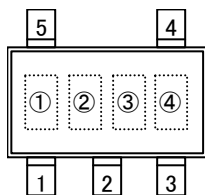
SOT-25



MARKING RULE

SOT-25

Not used



SOT-25
(TOP VIEW)

Represents integer of output voltage

MARK (XC62ER Type)	VOLTAGE (V)	MARK (XC62EP Type)	VOLTAGE (V)
<u>2</u>	2.x	2	2.x
<u>3</u>	3.x	3	3.x
<u>4</u>	4.x	4	4.x
<u>5</u>	5.x	5	5.x
<u>6</u>	6.x	6	6.x

Represents decimal number of output voltage

MARK (XC62ER Type)	VOLTAGE (V)	MARK (XC62EP Type)	VOLTAGE (V)
0	x.0	0	x.0
1	x.1	1	x.1
2	x.2	2	x.2
3	x.3	3	x.3
4	x.4	4	x.4
5	x.5	5	x.5
6	x.6	6	x.6
7	x.7	7	x.7
8	x.8	8	x.8
9	x.9	9	x.9

Based on internal standards

1. The products and product specifications contained herein are subject to change without notice to improve performance characteristics. Consult us, or our representatives before use, to confirm that the information in this catalog is up to date.
2. We assume no responsibility for any infringement of patents, patent rights, or other rights arising from the use of any information and circuitry in this catalog.
3. Please ensure suitable shipping controls (including fail-safe designs and aging protection) are in force for equipment employing products listed in this catalog.
4. The products in this catalog are not developed, designed, or approved for use with such equipment whose failure of malfunction can be reasonably expected to directly endanger the life of, or cause significant injury to, the user.
(e.g. Atomic energy; aerospace; transport; combustion and associated safety equipment thereof.)
5. Please use the products listed in this catalog within the specified ranges.
Should you wish to use the products under conditions exceeding the specifications, please consult us or our representatives.
6. We assume no responsibility for damage or loss due to abnormal use.
7. All rights reserved. No part of this catalog may be copied or reproduced without the prior permission of Torex Semiconductor Ltd.

TOREX SEMICONDUCTOR LTD.