

### LT-5™ Time Lag Fuse 663 Series



#### ELECTRICAL CHARACTERISTICS:

% of Ampere Rating	Time
210%	2 minutes, <b>Maximum</b>
275%	.4 sec <b>Min.</b> ; 10 seconds <b>Max</b>
400%	.15 sec <b>Min.</b> ; 3 seconds <b>Maximum</b>
1000%	.02 sec <b>Min.</b> .15 seconds <b>Maximum</b>

**AGENCY APPROVALS:** IEC 60127-3/1: Semko and VDE approved through 4 amps. Recognized under the Components Program Underwriters Laboratories and recognized by CSA.

**INTERRUPTING RATINGS:** 35A or 10X rated current; whichever is greater.

#### PACKAGING:

Please refer to the following suffixes when ordering.

Bulk 100 pieces:

Short Lead (Bulk) HXSL

Long Lead (Bulk) HXLL

Tape and Reel 750 pieces:

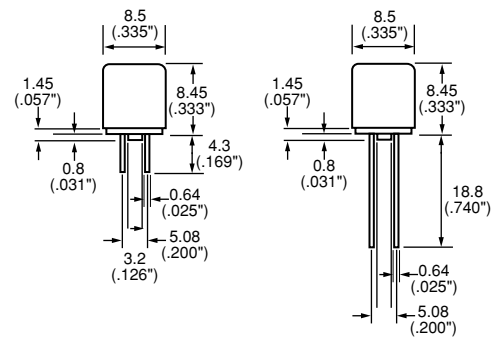
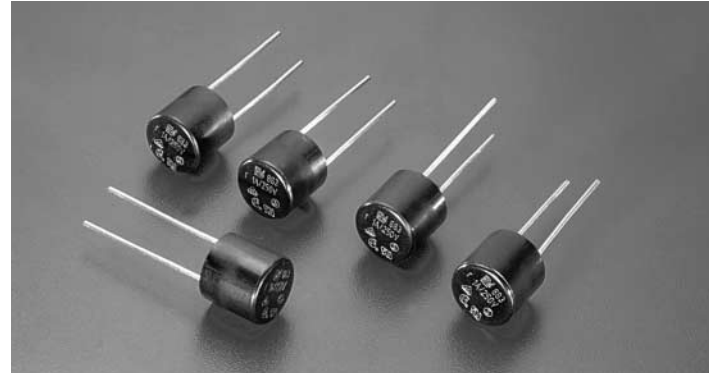
Long Lead (Tape and Reel IEC 286-2) ZRL

#### PATENTED

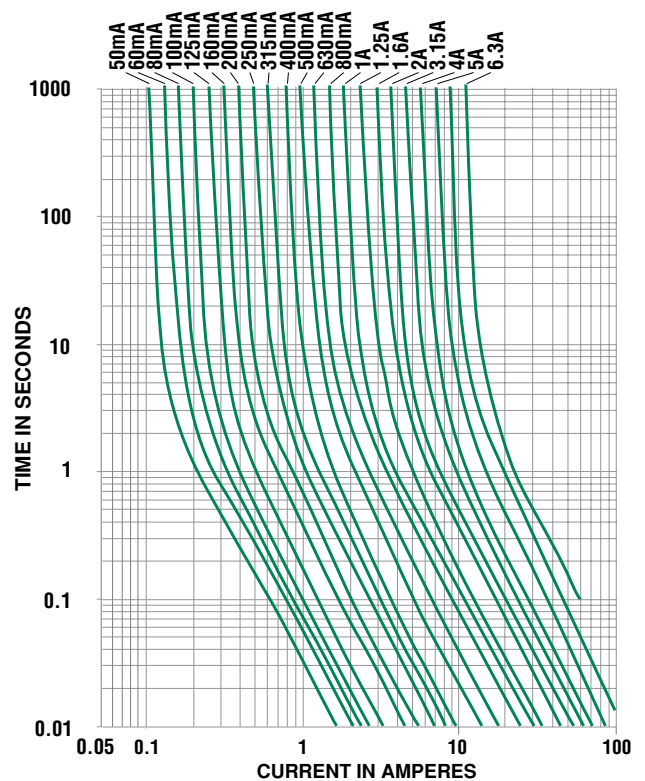
#### ORDERING INFORMATION:

Catalog Number	Ampere Rating	Voltage Rating	Nominal Resistance Cold Ohms	Nominal Melting I <sup>2</sup> t A <sup>2</sup> Sec
0663.050	.050	250	7573	0.03
0663.063	.063	250	4490	0.05
0663.080	.080	250	2648	0.07
0663.100	.100	250	1869	0.08
0663.125	.125	250	1241	0.12
0663.160	.160	250	990	0.24
0663.200	.200	250	718	0.35
0663.250	.250	250	475	0.6
0663.315	.315	250	326	0.8
0663.400	.400	250	239	1.1
0663.500	.500	250	187	2.5
0663.630	.630	250	129	4
0663.800	.800	250	87	8
0663.001.	1.00	250	75	12
0663.1.25	1.25	250	50	15
0663.01.6	1.60	250	36	30
0663.002.	2.00	250	27	34
0663.02.5	2.50	250	20	55
0663.3.15	3.15	250	17	76
0663.004.	4.00	250	12	80
0663.005.	5.00	250	9	230
0663.06.3	6.30	250	7	360

Refer to page 342 for LT-5™ holder information.



Average Time Current Curves



AXIAL LEAD AND CARTRIDGE FUSES