



Series 810 & 822 Economy Vertisocket™ w/Bifurcated Contacts

FEATURES

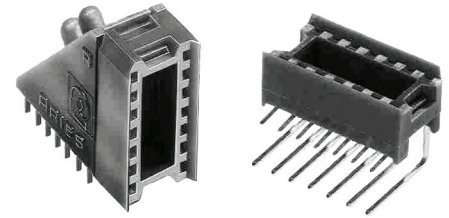
- High-volume Vertical Display Mounting Applications
- Useful for Connection of Board-to-Board Jumpers and DIP Switches, as well as LED Devices

GENERAL SPECIFICATIONS

- **STANDARD BODY MATERIAL:** black UL 94 V-0 4/6 Nylon
- **BIFURCATED CONTACTS:** Grade-A spring-tempered Phosphor Bronze per QQ-B-750
- **STANDARD CONTACT PLATING:** 50μ [1.27μ] min. matte Sn per ASTM B545-97 over 50μ [1.27] Ni per QQ-N-290 –OR– 90/10 Sn/Pb per MIL-T-10727 Type 1 over 50μ [1.27] Ni per QQN-290
- **CONTACT CURRENT RATING:** 1 amp
- **OPERATING TEMPERATURE:** 221°F [105°C]
- **INSERTION FORCE:** 110g/pin average
- **WITHDRAWAL FORCE:** 75g/pin average
- **FLAT LEADS:** up to 0.014 [0.36] thick and 0.020 [0.51] wide
- **ROUND LEADS:** up to 0.020 [0.51] dia.
- **LEAD LENGTHS:** 0.75-0.160 [1.91-4.06] dia.

MOUNTING CONSIDERATIONS

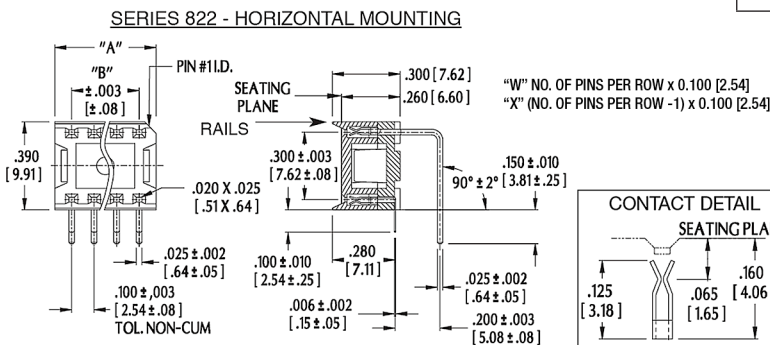
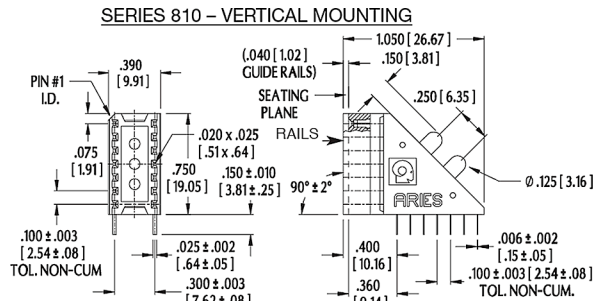
- **SUGGESTED PCB HOLE SIZE**
For P/N 14-810-90R = 0.036 ± 0.002 [0.91 ± 0.05] dia.
For P/N XX-822-90E = 0.044 ± 0.002 [1.12 ± 0.05] dia.



ORDERING INFORMATION

XX-822-90 E XXXX
14-810-90R XXXX

- Optional Rail & Plating
WR = Without Rails
TL = Sn/Pb
WRTL = Without Rails, Sn/Pb
- Economy Version
- Display Angle
- Series
- Pin Count
(See Table)



Body Style	Dim. "Y"	Dim. "Z"	Pin Count
A	0.450 [11.43]	0.300 [7.62]	8, 10
B	0.750 [19.05]	0.600 [15.24]	8, 10, 12, 14, 16
B	0.850 [21.59]	0.700 [17.78]	8, 10
B	0.950 [24.13]	0.800 [20.32]	8, 10, 12, 14, 16

ALL DIMENSIONS: INCHES [MILLIMETERS]
ALL TOLERANCES: ±0.005 [0.13] UNLESS OTHERWISE SPECIFIED
FOR HORIZONTAL MOUNTING, SEE [DATA SHEET 13005](#)
CONSULT FACTORY FOR OTHER SIZES AND CONFIGURATIONS

CUSTOMIZATION: ARIES SPECIALIZES IN CUSTOM DESIGN AND PRODUCTION. SPECIAL MATERIALS, PLATINGS, SIZES, AND CONFIGURATIONS CAN BE FURNISHED, DEPENDING ON QUANTITY.

ARIES RESERVES THE RIGHT TO CHANGE PRODUCT GENERAL SPECIFICATIONS WITHOUT NOTICE

PRINTOUTS OF THIS DOCUMENT MAY BE OUT-OF-DATE AND SHOULD BE CONSIDERED UNCONTROLLED



ARIES
ELECTRONICS, INC.

2609 Bartram Road • Bristol, PA 19007-6810 USA
TEL 215-781-9956 • FAX 215-781-9845
WWW.ARIESELEC.COM • INFO@ARIESELEC.COM



13003
Rev. 6.1
1 of 1