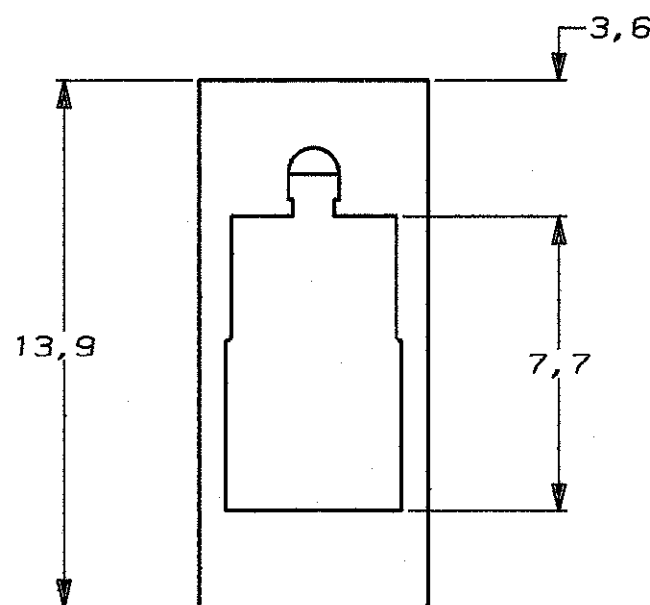
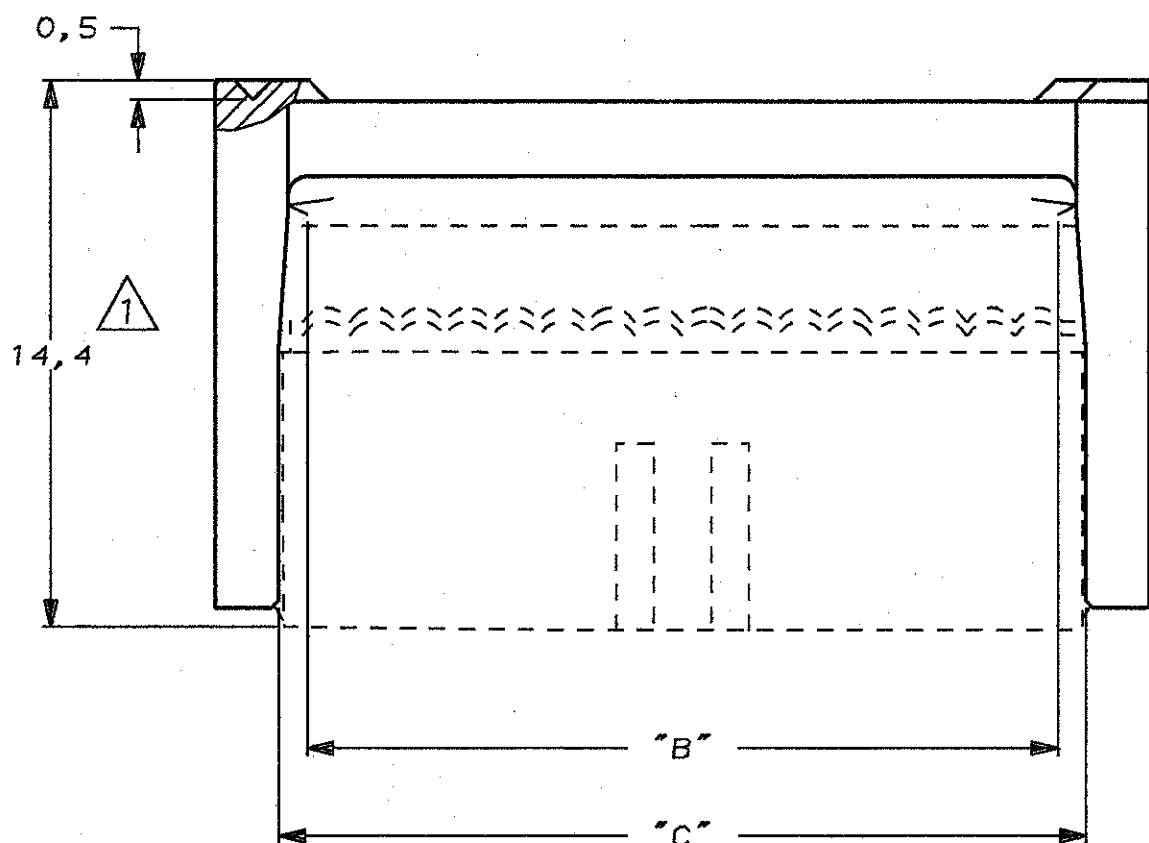
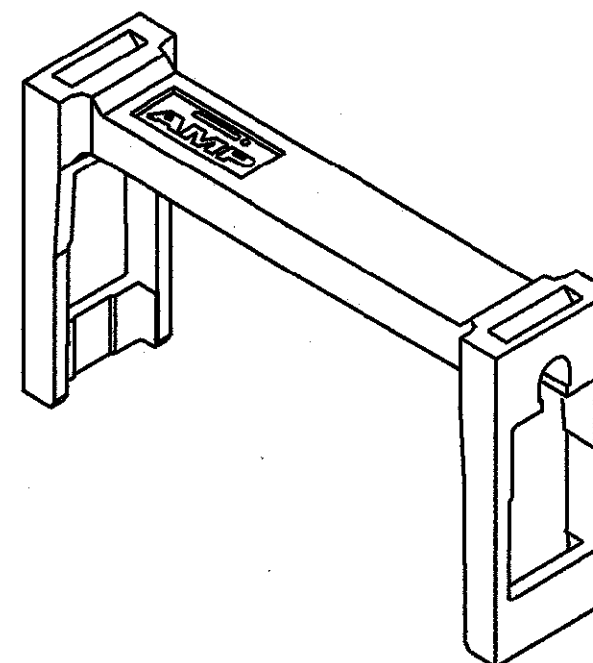
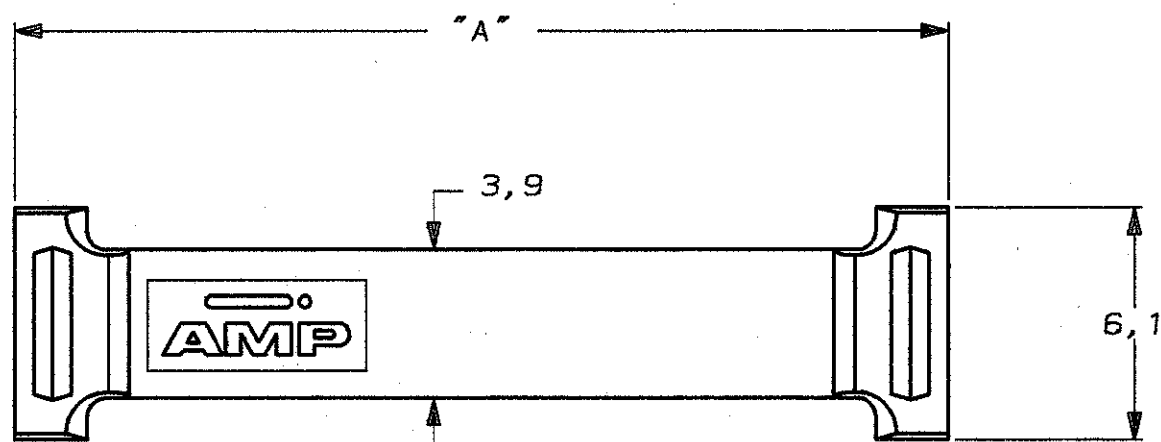
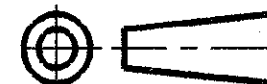


DO NOT SCALE
DIMENSIONS IN mm

METRIC

THIRD ANGLE
PROJECTION



| | | | | | |
|----------------------|---------------------|-------|-------|-------|------------|
| 64 | 32 | 85,88 | 82,07 | 82,64 | 6-100103-4 |
| 60 | 30 | 80,80 | 76,99 | 77,56 | 6-100103-0 |
| 50 | 25 | 68,10 | 64,29 | 64,86 | 5-100103-0 |
| 44 | 22 | 60,48 | 56,67 | 57,24 | 4-100103-4 |
| 40 | 20 | 55,40 | 51,59 | 52,16 | 4-100103-0 |
| 34 | 17 | 47,78 | 43,97 | 44,54 | 3-100103-4 |
| 30 | 15 | 42,70 | 38,89 | 39,46 | 3-100103-0 |
| 26 | 13 | 37,62 | 33,81 | 34,38 | 2-100103-6 |
| 20 | 10 | 30,00 | 26,19 | 26,76 | 2-100103-0 |
| 16 | 8 | 24,92 | 21,11 | 21,68 | 1-100103-6 |
| 14 | 7 | 22,38 | 18,57 | 19,14 | 1-100103-4 |
| 10 | 5 | 17,30 | 13,49 | 14,06 | 1-100103-0 |
| NR. OF CABLE POS. | NR. OF DUAL POS. | A | B | C | PARTNUMBER |

NOTES:

- 1 ASSEMBLED WITH AMP-LATCH MIL-TYPE RECEPT. CONN. (SYMMETRIC COVER)
- 2 250 PIECES PACKED IN A PLASTIC BAG.

| | |
|---------------|-------------------|
| GREY RAL 7032 | GLASSFILLED NYLON |
| COLOR | MATERIAL |

| | | | | | | | |
|-------------------|--|----------------------|--|--|--|---|--|
| - | | | | CUSTOMER DRAWING | | FOR REFERENCE ONLY WILL NOT BE UPDATED | |
| - | | | | © COPYRIGHT 19- | | BY AMP HOLLAND B.V. | |
| - | | | | ALL INTERNATIONAL RIGHTS RESERVED. AMP PRODUCTS MAY BE COVERED BY U.S. AND FOREIGN AND/OR PATENTS PENDING. | | | |
| - | | | | THIS DRAWING IS UNPUBLISHED RELEASED FOR PUBLICATION | | | |
| - | | | | AMP HOLLAND B.V. s-Hertogenbosch, The Netherlands. | | | |
| - | | | | AMP | | | |
| - | | | | NAME | | | |
| B | | | | H-9454 | | JvdH R.V. 10-01-92 | |
| LTR. | | REVISION RECORD | | DR. | | CHK. | |
| DR. : R.HOGEVEEN. | | CHK. : R.VERSTIJNEN. | | APP. : L.V.SOEST. | | DWG.No. | |
| DATE: 06-08-90 | | DATE: 08-08-90 | | DATE: 23-08-90 | | C-100103 | |
| REV.LTR. | | SHEET | | 1 OF 1 | | A3 | |
| B | | 1 | | | | | |