





THIS DRAWING IS UNPUBLISHED. RELEASED FOR PUBLICATION 2000
 © COPYRIGHT 2000 BY ALL RIGHTS RESERVED.

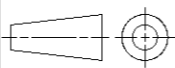
LOC	DIST	REVISIONS			
P	LTR	DESCRIPTION	DATE	DWN	APVD
		B3 REVISED PER ECO-11-005027	06APR11	RK	HMR


CROSS REFERENCE LIST / UEBERSETZUNGSLISTE

TE CONNECTIVITY PART NO.	OLD PART NUMBER	SEE SHEET		TE CONNECTIVITY PART NO.	OLD PART NUMBER	SEE SHEET
1 393 546 - 1	C42315-A1347-A101	2		 1 - 1 393 546 - 1	C42315-A1347-A112	2
1 393 546 - 2	C42315-A1347-A102	2		 1 - 1 393 546 - 2	C42315-A1347-A116	2
1 393 546 - 3	C42315-A1347-A103	2		1 - 1 393 546 - 3	C42315-A1347-A124	2
1 393 546 - 4	C42315-A1347-A104	2		1 - 1 393 546 - 4	C42315-A1347-A201	3
1 393 546 - 5	C42315-A1347-A105	2		1 - 1 393 546 - 5	C42315-A1347-A202	3
 1 393 546 - 6	C42315-A1347-A106	2		1 - 1 393 546 - 6	C42315-A1347-A203	3
1 393 546 - 7	C42315-A1347-A107	2		1 - 1 393 546 - 7	C42315-A1347-A204	3
1 393 546 - 8	C42315-A1347-A108	2		 1 - 1 393 546 - 8	C42315-A1347-A205	3
1 393 546 - 9	C42315-A1347-A109	2		1 - 1 393 546 - 9	C42315-A1347-A208	3
1 - 1 393 546 - 0	C42315-A1347-A110	2		2 - 1 393 546 - 0	C42315-A1347-A212	3

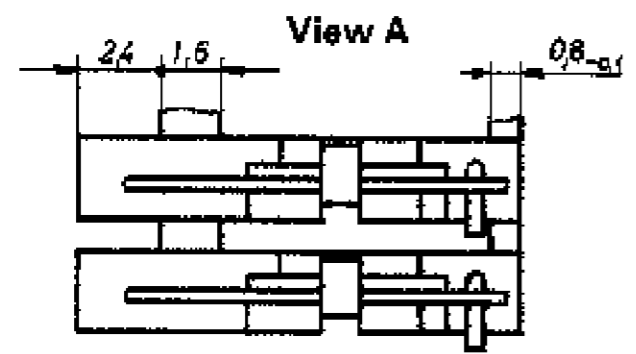
ERSETZT EC-ZEICHNUNG C42315-A1347-A1***-27 BL. 1 UND 2
 UND C42315-A1347-A2***-27 BL. 1

 OBSOLETE PARTS: OBSOLETE CIS STREAMLINING PER D.RENAUD/D.SINISI

DIMENSIONS: mm		TOLERANCES UNLESS OTHERWISE SPECIFIED:	
		0 PLC ±	
		1 PLC ±	
		2 PLC ±	
		3 PLC ±	
		4 PLC ±	
		ANGLES ±°	
MATERIAL		FINISH	

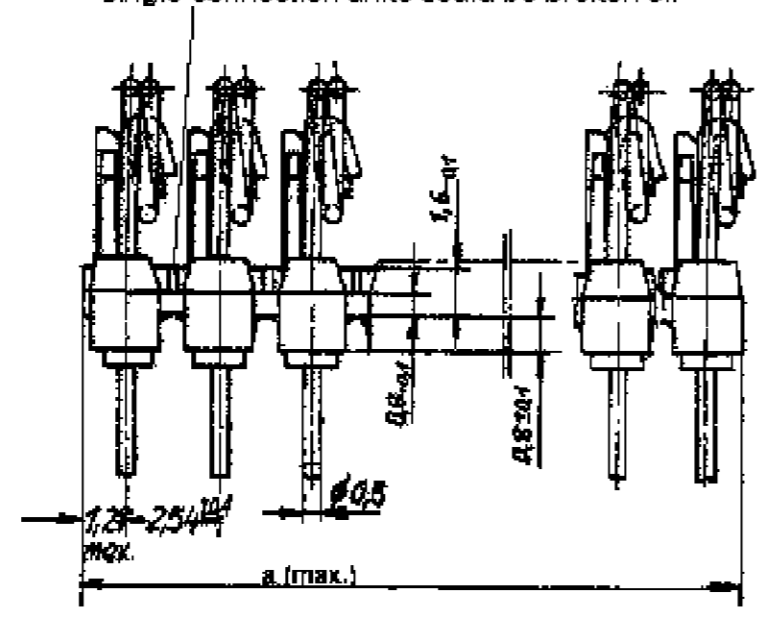
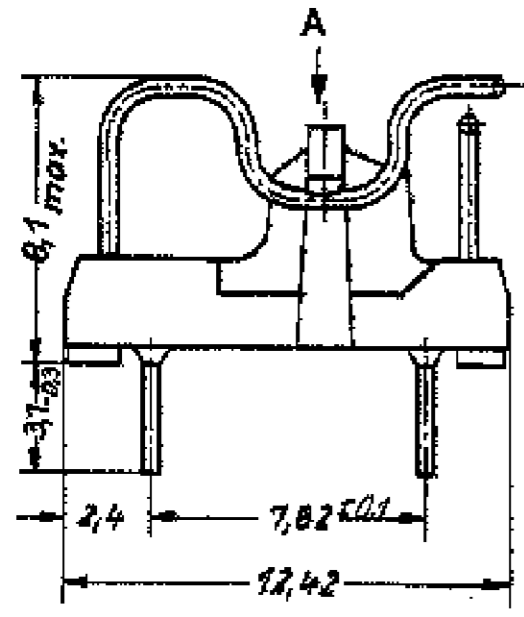
DWN G. ACKERMANN	24 JAN 2001	 TE Connectivity	
CHK M. SCHLEIHAUF	-	NAME DIPFIX - SCHALTER DIPFIX - SWITCH	
APVD G. FELDMEIER	-	PRODUCT SPEC	
APPLICATION SPEC		RESTRICTED TO	
WEIGHT	-	SIZE A3	CAGE CODE 00779
CUSTOMER DRAWING		DRAWING NO C=1393546-1	SCALE 1:1
		SHEET 1	OF 3
		REV B3	

LOC	DIST	REVISIONS					
		P	LTR	DESCRIPTION	DATE	DWN	APVD
A1	-	-	-	SEE SHEET 1	-	-	-



1) Beim Kleinmaß 5,08 müssen die Schalter spiegelbildlich montiert werden
 In the case of dim. 5,08 the switches have to be mounted rear side to rear side

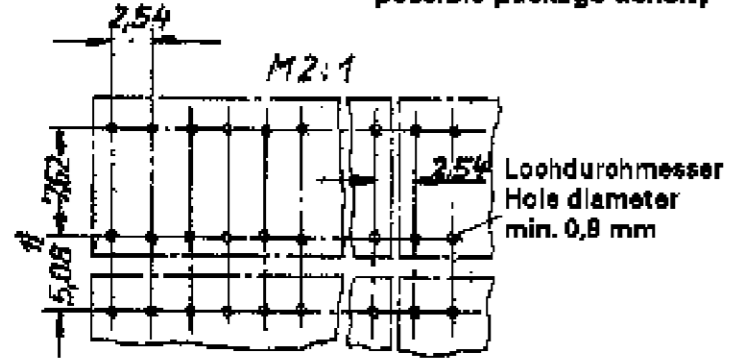
Sollbruchstellen, einzelne Verbindungen abtrennbar
 Predetermined breaking point, single connection units could be broken off



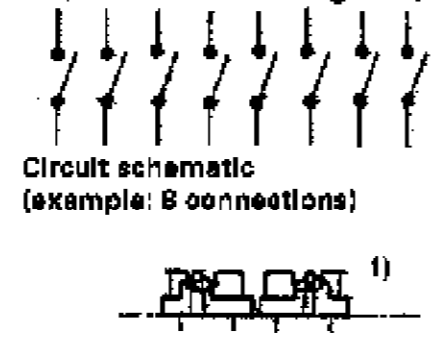
2
2
2

TE CONNECTIVITY PART NO.	OLD PART NUMBER	DIMENSION a	POSITION NUMBER POLZAHL
1 393 546 - 1	C 42315-A1347-A101	2.54	1
1 393 546 - 2	C 42315-A1347-A102	5.08	2
1 393 546 - 3	C 42315-A1347-A103	7.62	3
1 393 546 - 4	C 42315-A1347-A104	10.16	4
1 393 546 - 5	C 42315-A1347-A105	12.7	5
1 393 546 - 6	C 42315-A1347-A106	15.24	6
1 393 546 - 7	C 42315-A1347-A107	17.78	7
1 393 546 - 8	C 42315-A1347-A108	20.32	8
1 393 546 - 9	C 42315-A1347-A109	22.86	9
1 - 1 393 546 - 0	C 42315-A1347-A110	25.4	10
1 - 1 393 546 - 1	C 42315-A1347-A112	30.48	12
1 - 1 393 546 - 2	C 42315-A1347-A116	40.64	16
1 - 1 393 546 - 3	C 42315-A1347-A124	60.96	24

Rasterlochung u. Packungsdichte
 Mounting holes and possible package density



Schaltschema
 (Beispiel: B Verbindungsmöglichkeit)



MATERIAL: PBTP-GF30; COLOUR: NATURE

ERSETZT EC-ZEICHNUNG C42315-A1347-A1**-*-27 BL. 1 UND 2

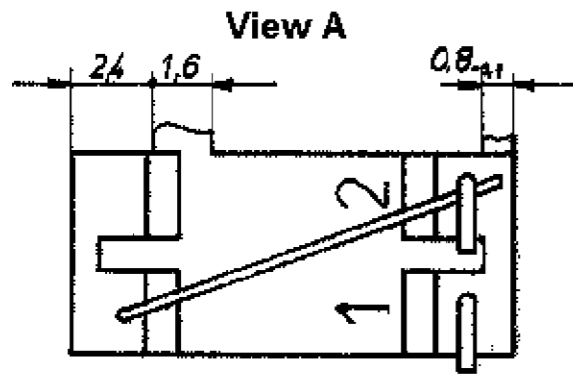
2 OBSOLETE PARTS: OBSOLETE CIS STREAMLINING PER D.RENAUD/D.SINISI

DIMENSIONS:	TOLERANCES UNLESS OTHERWISE SPECIFIED:
mm	
	PL ±
	1 P/C ±
	2 P/C ±0.15
	3 P/C ±
	PL ±
	ANGLES ±1°
MATERIAL	FINISH

DWN G. ACKERMANN 24 JAN 2001	TE Connectivity
CHK M. SCHLEIHAUF	
APVD G. FELDMAYER	NAME DIPFIX - SCHALTER DIPFIX - SWITCH
PRODUCT SPEC	
APPLICATION SPEC	
WEIGHT	RESTRICTED TO
CUSTOMER DRAWING	SIZE A3 CAGE CODE 00779 DRAWING NO. C=1393546-1 SCALE 5:1, 2:1 SHEET 2 OF 3 REV B3

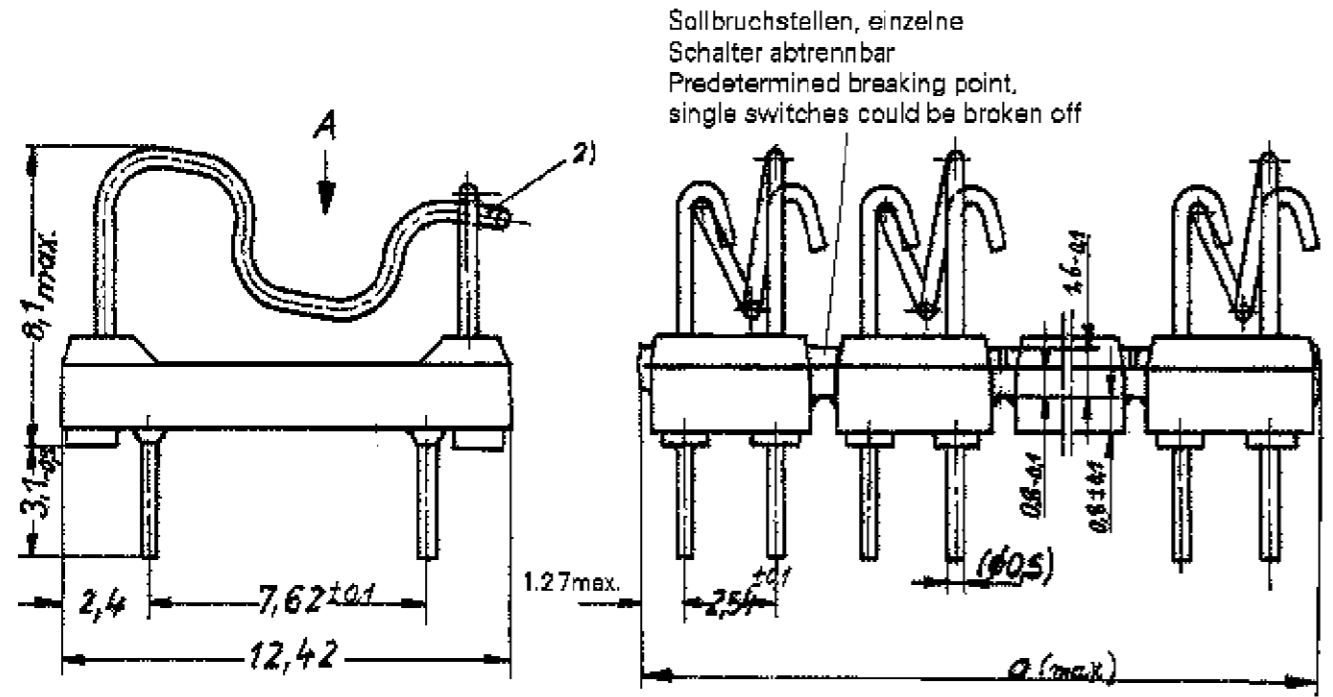
THIS DRAWING IS UNPUBLISHED. RELEASED FOR PUBLICATION 2000
 © COPYRIGHT 2000 BY ALL RIGHTS RESERVED.

LOC	DIST	REVISIONS					
		P	LTR	DESCRIPTION	DATE	DWN	APVD
A1	-	-	-	SEE SHEET 1	-	-	-



1) Beim Kleinmaß 5,08 müssen die Schalter spiegelbildlich montiert werden
 In the case of dim. 5,08 the switches have to be mounted rear side to rear side

2) ausgeliefert in ausgehaktm Zustand
 delivered in unlocked condition

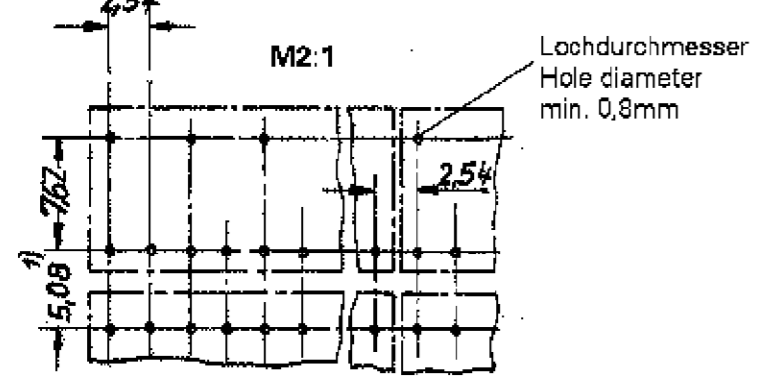


Sollbruchstellen, einzelne Schalter abtrennbar
 Predetermined breaking point, single switches could be broken off

2

TE CONNECTIVITY PART NO.	OLD PART NUMBER	DIMENSION a	POSITION NUMBER POLZAHL
1 - 1 393 546 - 4	C42315-A1347-A201	5.08	1
1 - 1 393 546 - 5	C42315-A1347-A202	10.16	2
1 - 1 393 546 - 6	C42315-A1347-A203	15.24	3
1 - 1 393 546 - 7	C42315-A1347-A204	20.32	4
1 - 1 393 546 - 8	C42315-A1347-A205	25.4	5
1 - 1 393 546 - 9	C42315-A1347-A208	40.64	8
2 - 1 393 546 - 0	C42315-A1347-A212	60.96	12

Rasterlochung und Packungsdichte
 Mounting holes and possible package density



Schaltschema (Beispiel: 4 Umschalter)



ERSETZT EC-ZEICHNUNG C42315-A1347-A2***-27 BL.1

2 OBSOLETE PARTS: OBSOLETE CIS STREAMLINING PER D.RENAUD/D.SINISI

DIMENSIONS:	TOLERANCES UNLESS OTHERWISE SPECIFIED:
mm	
	0 PLC ±
	1 PLC ±
	2 PLC ±
	3 PLC ±
	4 PLC ±
	ANGLES ±1°
MATERIAL	FINISH

DWN G. ACKERMANN 24 JAN 2001	
CHK M. SCHLEIHAUF	
APVD G. FELDMEIER	NAME DIPFIX - SCHALTER DIPFIX - SWITCH
PRODUCT SPEC	
APPLICATION SPEC	
WEIGHT	RESTRICTED TO
CUSTOMER DRAWING	SCALE: 5:1, 2:1
	SHEET 3 OF 3
	REV B3