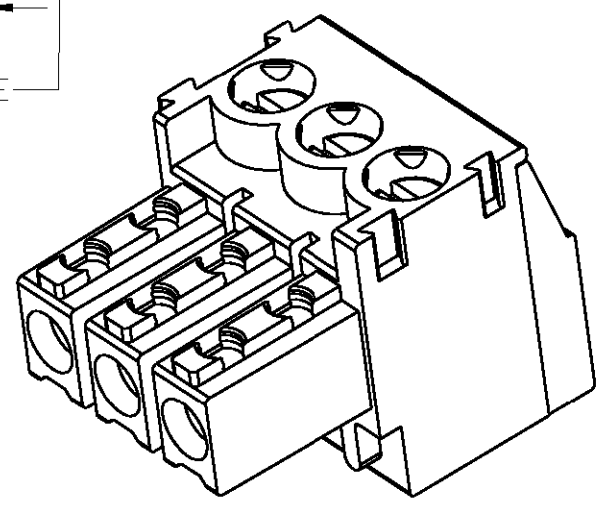
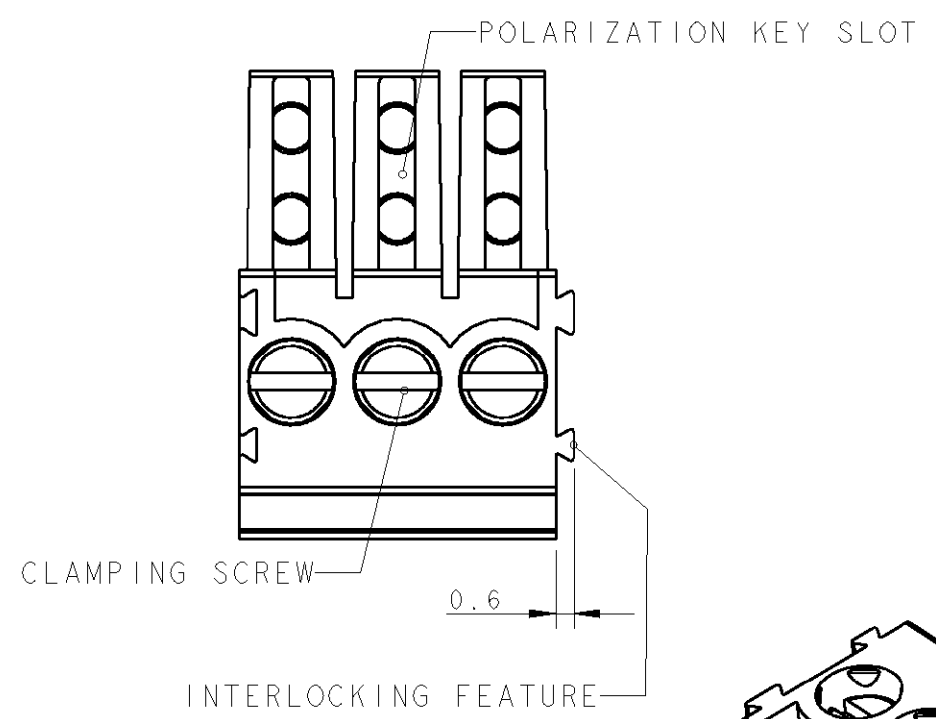
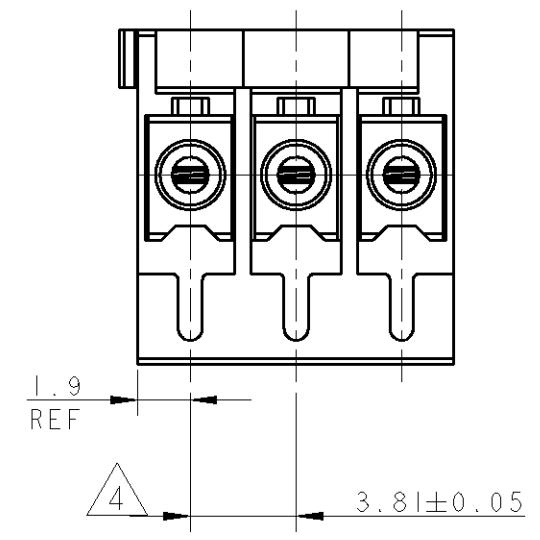
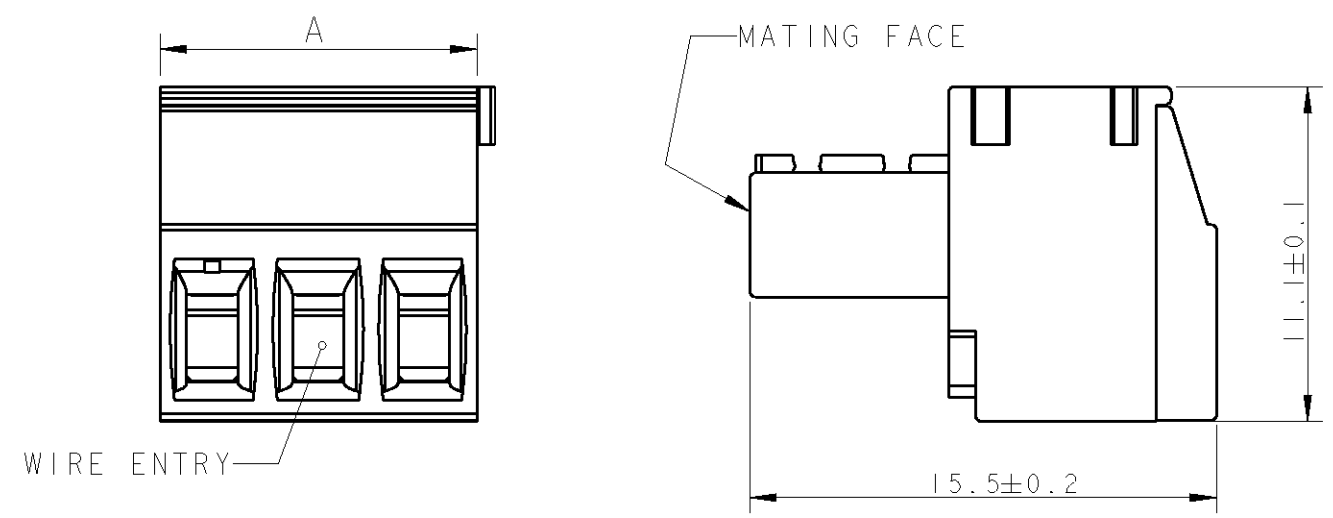


THIS DRAWING IS UNPUBLISHED. RELEASED FOR PUBLICATION 20  
 © COPYRIGHT 20 BY TYCO ELECTRONICS CORPORATION. ALL RIGHTS RESERVED.

| LOC | DIST | REVISIONS   |                          |           |      |    |
|-----|------|-------------|--------------------------|-----------|------|----|
| P   | LTR  | DESCRIPTION | DATE                     | DWN       | APVD |    |
| FT  | 0    | B           | REVISED PER 0G3B-0119-01 | 06FEB2002 | EZ   | DB |



P/N 284509-3 AS SHOWN

- 1 MATERIALS AND FINISH  
 HOUSING : PA 6.6, UL 94-V0, COLOR GREEN  
 CLAMP : BRASS, NICKEL PLATED  
 TERMINAL : BRASS, TIN PLATED  
 CONTACT SPRING : PHOSPHOR BRONZE, TIN PLATED  
 CLAMPING SCREW : M2, BRASS, NICKEL PLATED
- 2 END-TO-END STACKABLE W/INTERLOCK WITHOUT LOSS OF CENTERLINE SPACING
- 3 WIRE SIZE RANGE  
 14 - 30 AWG
- 4 NOT CUMULATIVE TOLERANCE

| DIM A | NO OF POS | PART NUMBER |
|-------|-----------|-------------|
| 95.25 | 25        | 2-284509-5  |
| 91.44 | 24        | 2-284509-4  |
| 87.63 | 23        | 2-284509-3  |
| 83.82 | 22        | 2-284509-2  |
| 80.01 | 21        | 2-284509-1  |
| 76.20 | 20        | 2-284509-0  |
| 72.39 | 19        | 1-284509-9  |
| 68.58 | 18        | 1-284509-8  |
| 64.77 | 17        | 1-284509-7  |
| 60.96 | 16        | 1-284509-6  |
| 57.15 | 15        | 1-284509-5  |
| 53.34 | 14        | 1-284509-4  |
| 49.53 | 13        | 1-284509-3  |
| 45.72 | 12        | 1-284509-2  |
| 41.91 | 11        | 1-284509-1  |
| 38.10 | 10        | 1-284509-0  |
| 34.29 | 9         | 284509-9    |
| 30.48 | 8         | 284509-8    |
| 26.67 | 7         | 284509-7    |
| 22.86 | 6         | 284509-6    |
| 19.05 | 5         | 284509-5    |
| 15.24 | 4         | 284509-4    |
| 11.43 | 3         | 284509-3    |
| 7.62  | 2         | 284509-2    |

|   |  |  |  |  |  |
|---|--|--|--|--|--|
| <small>THIS DRAWING IS A CONTROLLED DOCUMENT FOR TYCO ELECTRONICS CORPORATION<br/>         IT IS SUBJECT TO CHANGE AND THE CONTROLLING ENGINEERING ORGANIZATION<br/>         SHOULD BE CONTACTED FOR THE LATEST REVISION.</small> |  | DWN 06FEB2002<br>E. ZANOLINI<br>CHK 06FEB2002<br>E. ZANOLINI<br>APVD 06FEB2002<br>D. BIEVENOUR                     |  | <b>BUCHANAN</b> Tyco Electronics<br>Harrisburg, PA 17105-3608          |  |
| DIMENSIONS:<br>mm   |  | TOLERANCES UNLESS OTHERWISE SPECIFIED:<br>0 PLC ±-<br>1 PLC ±.3<br>2 PLC ±.25<br>3 PLC ±-<br>4 PLC ±-<br>ANGLES ±2 |  | NAME<br>TERMINAL BLOCK PLUG<br>STACKING WITH INTERLOCK<br>3.81mm PITCH |  |
|   |  | PRODUCT SPEC<br>108-20166<br>APPLICATION SPEC<br>114-20079   |  | SIZE<br>A3   |  |
| MATERIAL<br>  |  | FINISH<br>   |  | CAGE CODE<br>00779   |  |
|   |  | WEIGHT<br>-  |  | DRAWING NO<br>C-284509   |  |
| CUSTOMER DRAWING  |  |  |  | RESTRICTED TO<br>-   |  |
|   |  |  |  | SCALE 4:1 SHEET 1 OF 1 REV B   |  |