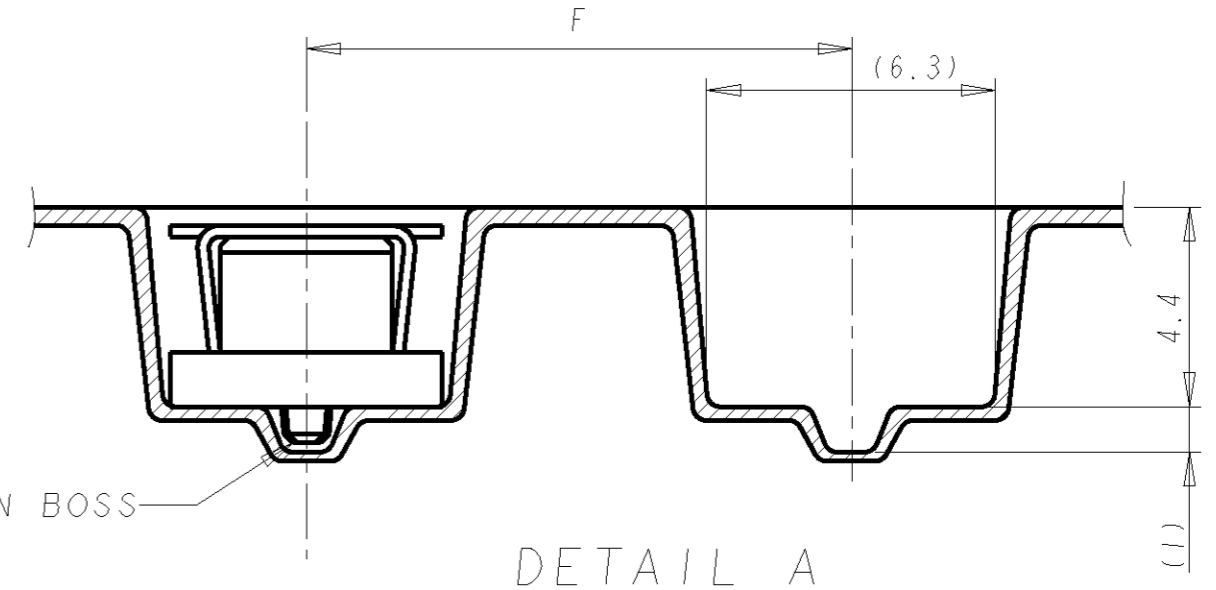
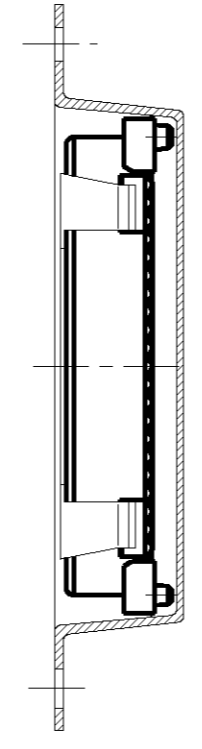
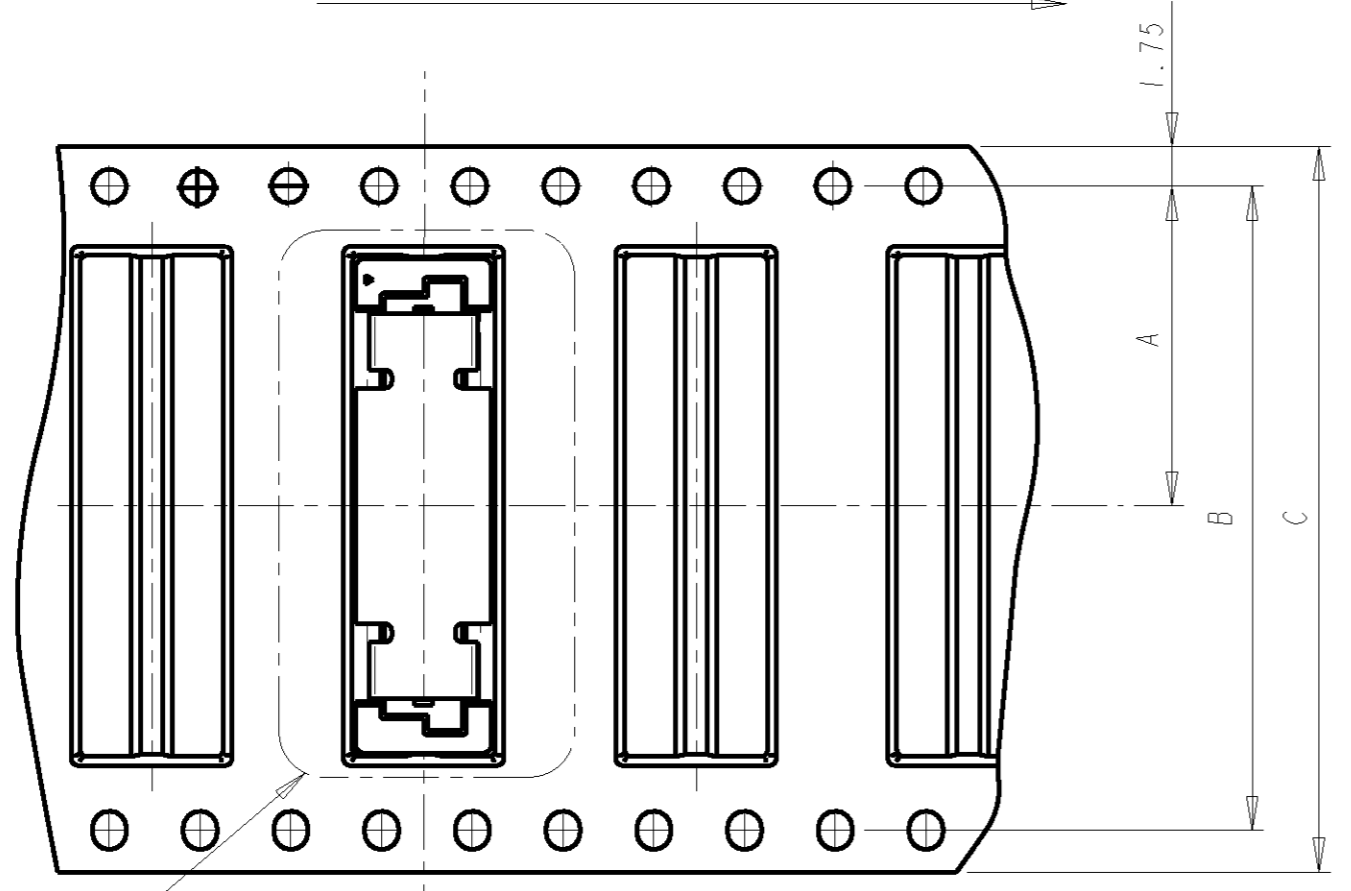


THIS DRAWING IS UNPUBLISHED. RELEASED FOR PUBLICATION
 © COPYRIGHT BY ALL RIGHTS RESERVED.

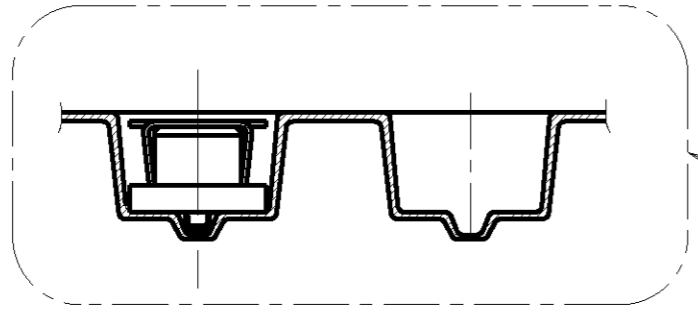
| LOC | | DIST | | REVISIONS | | | |
|-----|-----|---------------------------|---------|-----------|------|--|--|
| P | LTR | DESCRIPTION | DATE | DWN | APVD | | |
| P | | REVISED PER ECO-11-005139 | 19MAR11 | RK | HMR | | |

DIRECTION OFF TOP OF REEL

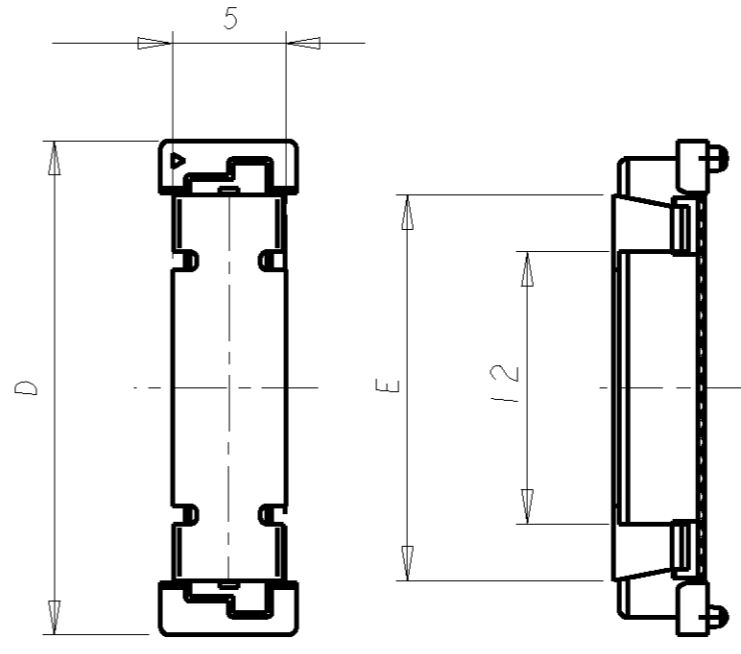


DETAIL A
(SCALE 4-1)

DETAIL B



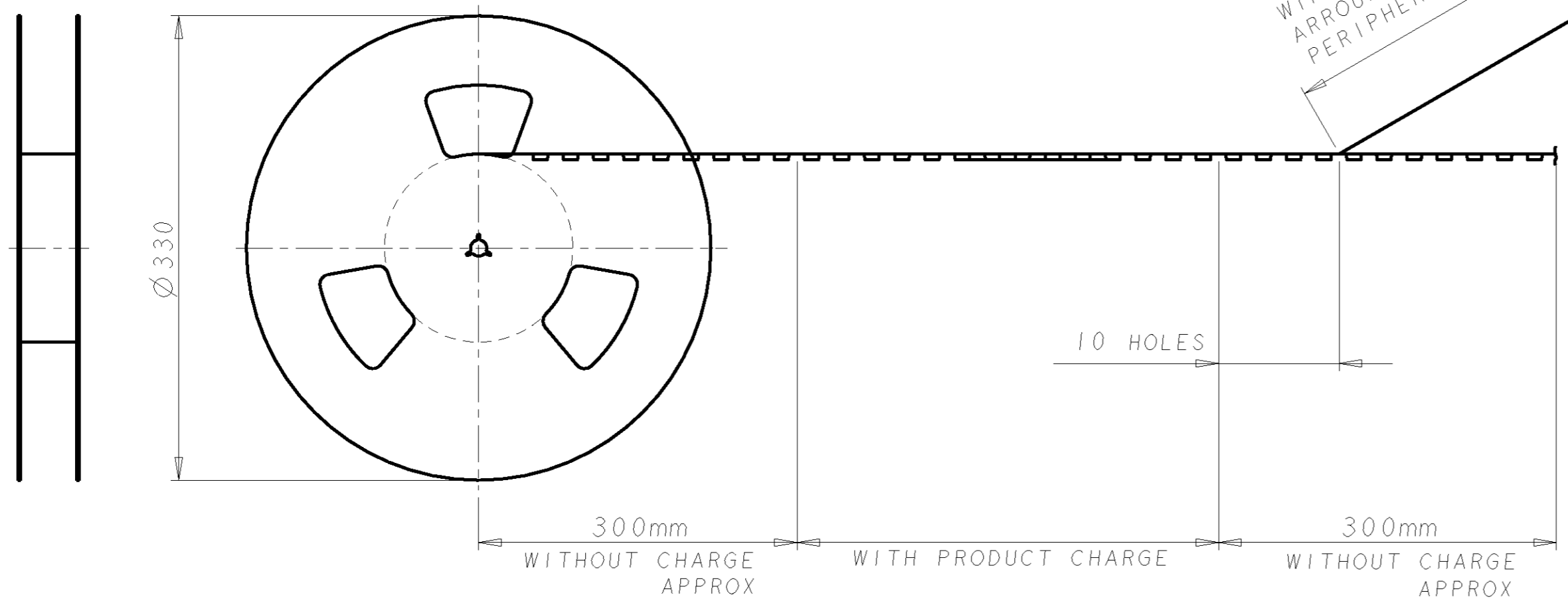
DETAIL A



DETAIL B

- NOTES:
- MATERIAL: HOUSING: L.C.P. (HIGH TEMP THERMOPLASTIC)
UL 94V-0, NATURAL.
CONTACT: BERYLIUM COPPER.
 - FINISH: CONTACT AREA: 0.0002 MIN GOLD ON
0.0013 MIN ALL OVER NICKEL.
SOLDERING AREA: 0.002 MIN MATTE TIN.
 - POSITION SERIES: SEE TABLE.
 - CONN STACK HEIGHT COMBINE OF PLUG "Y" H VS REC "X" H.
STACK HEIGHT = Y + X - 5
 - FINISH: CONTACT AREA: 0.00038 MIN GOLD ON
0.0013 MIN ALL OVER NICKEL.
SOLDERING AREA: 0.002 MIN MATTE TIN.

WINDING THE COVER TAPE
AROUND THE OUTER
PERIPHERY IN A TURN.



| FINISH | QTY | F | E | D | C | B | A | POS | CONN P/N | PART NO. | | |
|--------------|-----|---|---|------|-----|-------|------|-----|----------|----------|---|----|
| 15Au-Sn 5 | ↑ | ↑ | ↑ | 85.8 | 104 | 100.4 | 50.2 | 200 | 2- | ↑ | ↑ | -0 |
| | ↑ | ↑ | ↑ | 77.8 | 104 | 100.4 | 50.2 | 180 | 1- | ↑ | ↑ | -9 |
| | ↑ | ↑ | ↑ | 70.1 | 88 | 84.4 | 42.2 | 160 | 1- | ↑ | ↑ | -8 |
| | ↑ | ↑ | ↑ | 61.8 | 88 | 84.4 | 42.2 | 140 | 1- | ↑ | ↑ | -6 |
| | ↑ | ↑ | ↑ | 53.8 | 72 | 68.4 | 34.2 | 120 | 1- | ↑ | ↑ | -5 |
| | ↑ | ↑ | ↑ | 45.8 | 72 | 68.4 | 34.2 | 100 | 1- | ↑ | ↑ | -4 |
| 08Au-Sn 2 | ↑ | ↑ | ↑ | 37.8 | 56 | 52.4 | 26.2 | 80 | 1- | ↑ | ↑ | -3 |
| | ↑ | ↑ | ↑ | 29.8 | 44 | 40.4 | 20.2 | 60 | 1- | ↑ | ↑ | -2 |
| | ↑ | ↑ | ↑ | 21.8 | 32 | 28.4 | 14.2 | 40 | 1- | ↑ | ↑ | -1 |
| | ↑ | ↑ | ↑ | 85.8 | 104 | 100.4 | 50.2 | 200 | 1- | ↑ | ↑ | -0 |
| | ↑ | ↑ | ↑ | 77.8 | 104 | 100.4 | 50.2 | 180 | 1- | ↑ | ↑ | -9 |
| | ↑ | ↑ | ↑ | 69.8 | 88 | 84.4 | 42.2 | 160 | 1- | ↑ | ↑ | -8 |
| 15Au-Sn 5 | ↑ | ↑ | ↑ | 61.8 | 88 | 84.4 | 42.2 | 140 | 1- | ↑ | ↑ | -6 |
| | ↑ | ↑ | ↑ | 53.8 | 72 | 68.4 | 34.2 | 120 | 1- | ↑ | ↑ | -5 |
| | ↑ | ↑ | ↑ | 45.8 | 72 | 68.4 | 34.2 | 100 | 1- | ↑ | ↑ | -4 |
| 08Au-Sn 2 | ↑ | ↑ | ↑ | 37.8 | 56 | 52.4 | 26.2 | 80 | 1- | ↑ | ↑ | -3 |
| | ↑ | ↑ | ↑ | 29.8 | 44 | 40.4 | 20.2 | 60 | 1- | ↑ | ↑ | -2 |
| | ↑ | ↑ | ↑ | 21.8 | 32 | 28.4 | 14.2 | 40 | 1- | ↑ | ↑ | -1 |
| FINISH | QTY | F | E | D | C | B | A | POS | CONN P/N | PART NO. | | |

| | | | | | | | | | | | |
|----------------|--|--|--|---------------------------|--|---|--|---------------|--|-----------------|--|
| DIMENSIONS: mm | | TOLERANCES UNLESS OTHERWISE SPECIFIED: | | DWN SK LEAW 17MAY2004 | | CHK ERIC TNG 17MAY2004 | | APVD SF LEONG | | TE Connectivity | |
| 0 PLC ± | | ±0.3 | | PRODUCT SPEC 108-5390 | | NAME RECEPTACLE ASSEMBLY 5H TYPE (0.5 BOSS LENGTH) FOR FH 0.8 B-T-B CONN, ON TAPING | | SIZE A2 | | CAGE CODE 00779 | |
| 1 PLC ±0.25 | | ±0.25 | | APPLICATION SPEC 114-5254 | | DRAWING NO 5177985 | | SCALE 3:1 | | SHEET 1 OF 1 | |
| 2 PLC ±0.2 | | ±0.2 | | WEIGHT - | | CUSTOMER DRAWING | | REV P | | | |
| 3 PLC ± | | ± | | | | | | | | | |
| 4 PLC ± | | ± | | | | | | | | | |
| ANGLES ±3° | | ±3° | | | | | | | | | |
| FINISH | | SEE P/N TABLE | | | | | | | | | |