

MODEL NUMBER 100C1521

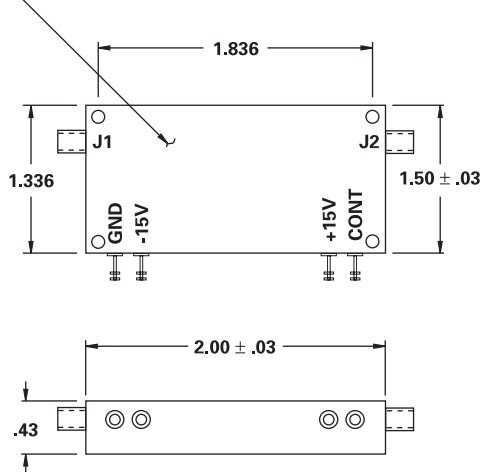
PIN Diode Linear VCA

FEATURES

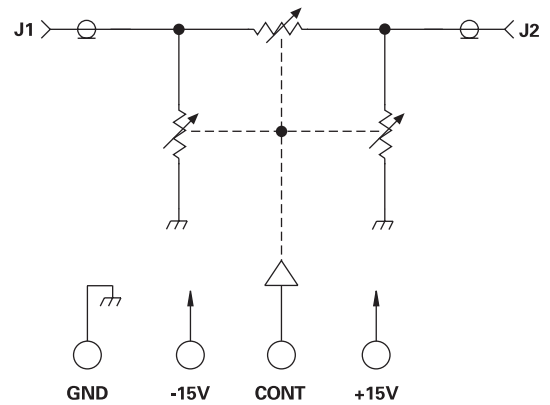
- 50-1300 MHz
- 40 dB Linear Range
- 1.3 dB Insertion Loss
- ± 2 dB Linearity
- SMA Connectors
- See DA0243 For Flatpack Version

VCA

PART IDENTIFICATION

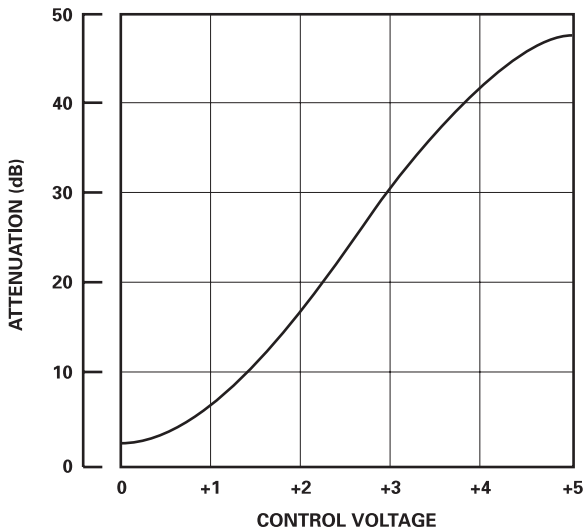


.xx = .02
.xxx = .010



TYPICAL PERFORMANCE

Attenuation vs Control Voltage
at 500 MHz



GUARANTEED PERFORMANCE

Parameter	Min	Typ	Max	Units	Conditions
Operating Frequency	50		1300	MHz	
DC Current		60 80		mA mA	At +15 VDC Supply At -15 VDC Supply
Control Current			1.0	mA	0 V = I.L. +5 V = Max. Atten.
Insertion Loss		1.3 1.4 2.0	2.0 3.0 3.5	dB dB dB	50 - 500 MHz 500 - 1100 MHz 1100 - 1300 MHz
Attenuation	Range	40 30 25		dB dB dB	50 - 500 MHz 500 - 1100 MHz 1100 - 1300 MHz
	Slope	13 \pm 3		dB/V	Best Straight Line Fit From: IL +2 dB to: 50 - 500 MHz 500 - 1100 MHz 1100 - 1300 MHz
	Linearity	± 2		dB	
VSWR			1.25/1 1.50/1		50 - 500 MHz 500 - 1300 MHz
Impedance		50		OHMS	
Slew Rate		3		dB/ μ s	
Intercept Points	2nd 3rd	+80 +35		dBm dBm	
RF Power	Operate		+10	dBm	
Operating Temperature	-55	+25	+85	$^{\circ}$ C	TA