



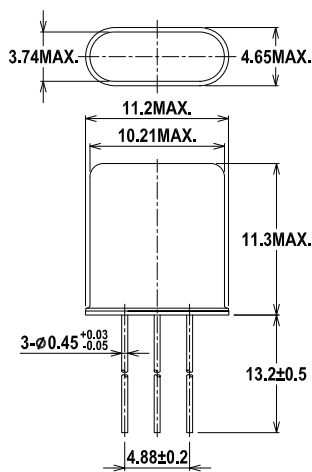
◆ Features

- Resistance Weld Seal
- AT-cut or BT-cut

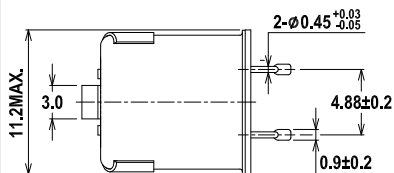
◆ Options

- Insulating Pad
- straight lead or SMD
- Vinyl-pack or tape & reel

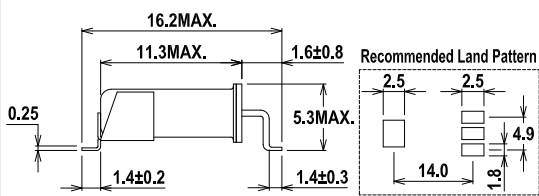
◆ Dimension(mm)



STRAIGHT LEAD TYPE



SMD TYPE



Recommended Land Pattern

◆ Standard Specification

(Nominal frequency referenced to frequency at 25 °C ± 2 °C)

Model	Center Frequency (MHz)	Pole	Pass Bandwidth		Stop Bandwidth		Ripple (dB max.)	Insertion Loss (dB max.)	Terminating Impedance (Ω/pF)	Test Circuit
			KHz (min.)	dB	KHz (max.)	dB				
10M08A	10.700	2	±3.75	3	±12.5	18	0.5	2.0	1.5K/5.0	Fig. A
10M08B	10.700	4	±3.75	3	±12.5	40	1.0	2.0	1.5K/3.0 (Cc=15pF)	Fig. B
10L08A	10.695	2	±3.75	3	±12.5	18	0.5	2.0	1.5K/5.0	Fig. A
10L08B	10.695	4	±3.75	3	±12.5	40	1.0	2.0	1.5K/3.0 (Cc=15pF)	Fig. B
10M15A	10.700	2	±7.50	3	±25.0	18	0.5	2.0	3.0K/1.0	Fig. A
10M15B	10.700	4	±7.50	3	±25.0	40	1.0	2.0	3.0K/1.0 (Cc=5pF)	Fig. B
10L15A	10.695	2	±7.50	3	±25.0	18	0.5	2.0	3.0K/1.0	Fig. A
10L15B	10.695	4	±7.50	3	±25.0	40	1.0	2.0	3.0K/1.0 (Cc=5pF)	Fig. B

◆ Test Circuit

Fig. A

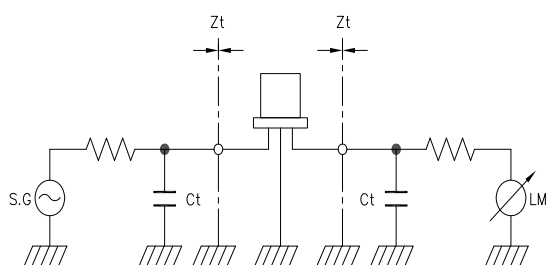


Fig. B

