

FEATURES:

- RJ-45 connector integrated with Filter
- Size same as RJ-45 connector to save PCB board space
- Reduce EMI radiation, Improve EMI performance
- Operating temperature range: 0°C to +70°C
- Storage temperature range: -40°C to +125°C

YUAN DEAN SCIENTIFIC



RJ45 Jack

12F/14F-1X SERIES

With Magnetic Modules

Single Port

10Base-T

TAB Down



ELECTRICAL SPECIFICATIONS@25°C

Operating temperature 0°C TO 70°C

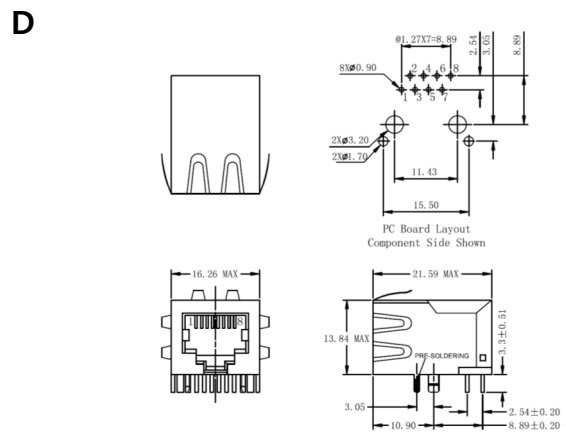
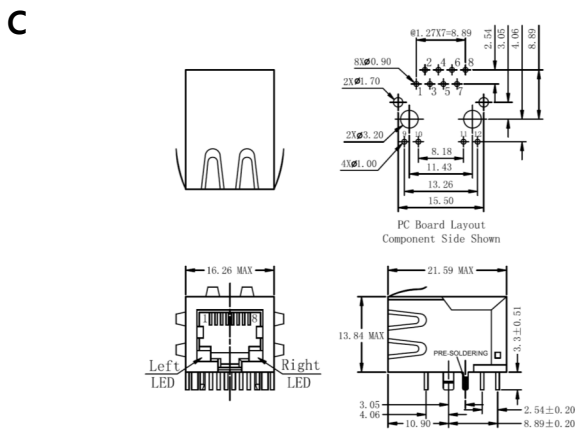
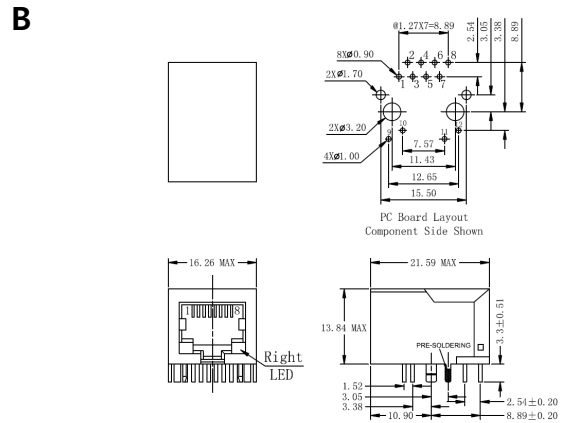
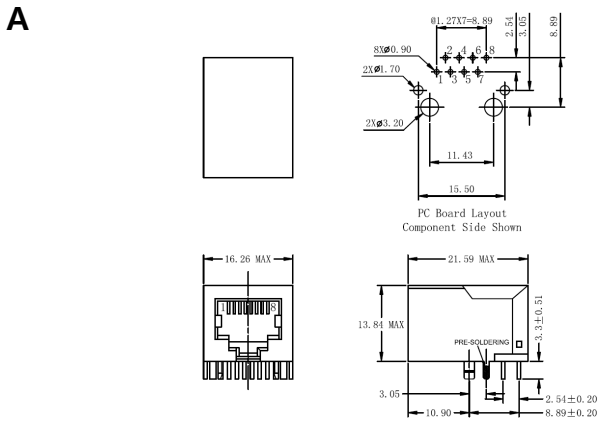
Part Number	Insertion Loss (dB MAX.)	Attenuation TX/RX(dB MIN)				Return Loss TX & RX @100Ω±15Ω (dB MIN)		Cross talk (dB MIN)	CMR (dB MIN)	Mechanical	Turns Ratio TX/RX (±5%)
		20 MHz	25 MHz	30 MHz	40 MHz	1-10 MHz	5-10 MHz				
14F-10NW2NL	-1.0	-7/-5	-18/-11	-28/-16	-33/-26	-	-13.5	-30	-30	A	1CT:1.41/1CT:1
12F-10EGYDWS2NL	-1.0	-5/-4.2	-18/-11	-28/-16	-33/-26	-	-14	-30	-30	B	1CT:1CT/1CT:1CT
12F-11YGD2NL	-1.0	-	-	-30/-18	-	-15	-	-30	-	C	1CT:1.41CT/1CT:1CT
12F-15BPND2NL	-1.0	-7	-19	-30	-32	-	-15	-30	-	D	1CT:1CT/1CT:1CT

www.yds.com.tw


TEL : 886-6-3842899 FAX : 886-6-3843288
E-MAIL : ydsweb@yds.com.tw

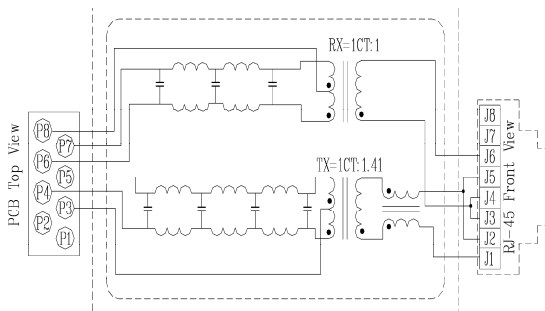
Rev: 1 2018/11/09

Mechanical and Dimension

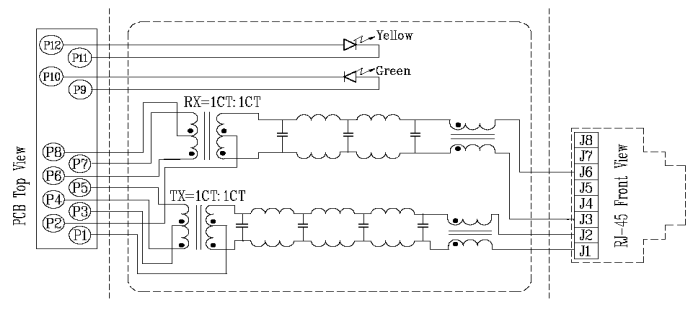


SCHEMATICS

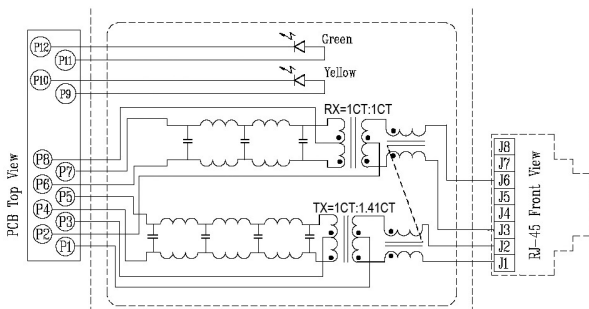
14F-10



12F-10E



12F-11YGD



12F-15

