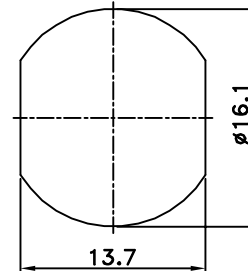
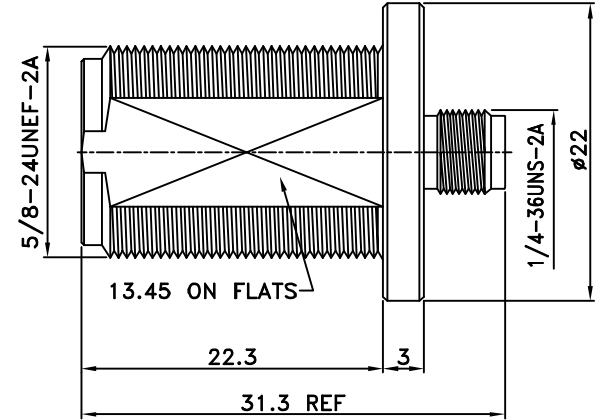
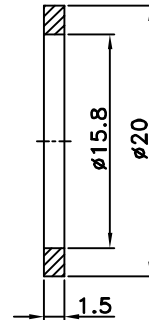
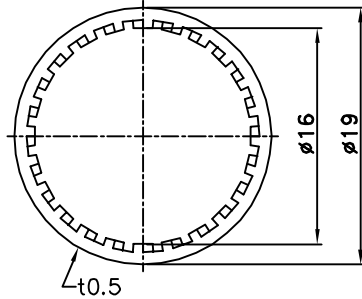
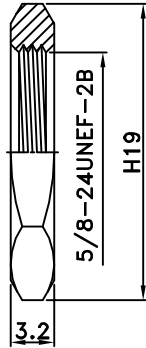


| REV | DESCRIPTION\PER REQUEST | DRAWN | DATE |
|-----|-------------------------|-------|------|
| | | | |
| | | | |



RECOMMENDED
MOUNTING HOLE

| | | | | |
|----|-------------|------|-----------|--------|
| 7 | Nut | 1 | Brass | Nickel |
| 6 | Washer | 1 | Brass | Nickel |
| 5 | Gasket | 1 | Si-rubber | Red |
| 4 | Dielectric | 1 | Teflon | None |
| 3 | Pin | 1 | Beryllium | Gold |
| 2 | Body | 1 | Brass | Nickel |
| 1 | Body | 1 | Brass | Nickel |
| NO | Description | Q'ty | Material | Finish |

| | | | | | |
|-------------------|-----|-----------------------------------|----|--|--|
| PART NO. 132B9505 | | * MAJOR DIMENSION | | Bomar Interconnect Products, Inc | |
| APPROVED | | UNLESS OTHERWISE NOTED TOLERANCES | | | |
| DATE 10/30/12 | | 0.5-6=±0.2 | | TITLE | |
| CHECKED | | 6-30=±0.4 | | N BULKHEAD JACK TO SMA JACK ADAPTER | |
| DATE 10/30/12 | | 30-120=±0.6 | | DRAWING NO. | |
| DRAWN | | 120-315=±1.0 | | ASN-11239-TGN | |
| DATE 10/30/12 | | ANGLES=±1° | | REV A | |
| SCALE | 2/1 | UNIT | mm | FILE NO. W:\AS\ASN\ASN-11239-TGN Bomar->20121105 | |