

USB memory stick - VS-04-MS-IP67 - 1402489

Please be informed that the data shown in this PDF Document is generated from our Online Catalog. Please find the complete data in the user's documentation. Our General Terms of Use for Downloads are valid (<http://download.phoenixcontact.com>)

USB memory stick, IP67, 8 GB, USB 2.0, designed to connect through the panel mounting frame VS-A-F-IP67 on the VARIOSUB-USB socket inserts



Key commercial data

Packing unit	1 pc
Weight per Piece (excluding packing)	85.0 GRM
Custom tariff number	85444290
Country of origin	Germany

Technical data

Mechanical characteristics

Number of positions	4
---------------------	---

Ambient conditions

Ambient temperature (operation)	-15 °C ... 60 °C
Degree of protection	IP67

Electrical characteristics

Transmission characteristics (category)	USB 2.0
Memory size	8 GByte

Classifications

eCl@ss

eCl@ss 4.0	272607xx
eCl@ss 4.1	27260701
eCl@ss 5.0	27260701
eCl@ss 5.1	27260701

USB memory stick - VS-04-MS-IP67 - 1402489

Classifications

eCl@ss

eCl@ss 6.0	19150701
eCl@ss 7.0	19150701
eCl@ss 8.0	19150701

ETIM

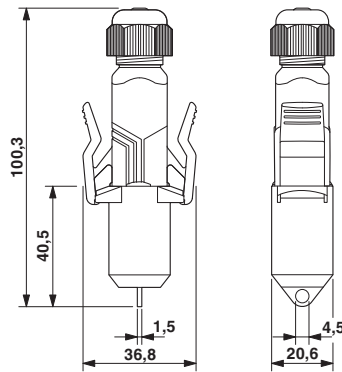
ETIM 4.0	EC001068
ETIM 5.0	EC001068

UNSPSC

UNSPSC 6.01	31261501
UNSPSC 7.0901	31261501
UNSPSC 11	31261501
UNSPSC 12.01	31261501
UNSPSC 13.2	31261501

Drawings

Dimensioned drawing



USB memory stick, IP67