

USB memory stick - VS-04-MS-2GB-IP67 - 1405109

Please be informed that the data shown in this PDF Document is generated from our Online Catalog. Please find the complete data in the user's documentation. Our General Terms of Use for Downloads are valid (<http://download.phoenixcontact.com>)



USB memory stick, IP67, memory capacity 2 GB, USB 2.0, designed to connect through the panel mounting frame VS-A-F-IP67 on the VARIOSUB-USB socket inserts

Key commercial data

Packing unit	0
Minimum order quantity	1
Catalog page	Page 310 (PC-2009)
GTIN	 4 046356 321815
Custom tariff number	85235110
Country of origin	GERMANY

Technical data

Mechanical characteristics

Number of positions	4
Ambient temperature (operation)	-15 °C ... 60 °C

Material data

Degree of protection	IP67
----------------------	------

Electrical characteristics

Transmission characteristics (category)	USB 2.0
---	---------

Classifications

eclass

eCl@ss 4.0	272607xx
eCl@ss 4.1	27260701
eCl@ss 5.0	27260701
eCl@ss 5.1	27260701
eCl@ss 6.0	19150701

etim

ETIM 3.0	EC001068
ETIM 4.0	EC001068

USB memory stick - VS-04-MS-2GB-IP67 - 1405109

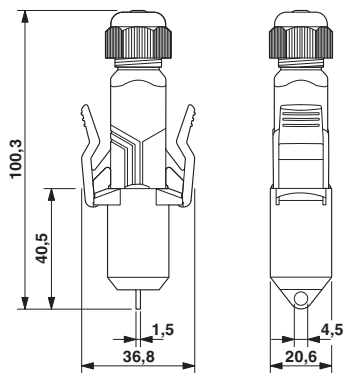
Classifications

unspsc

UNSPSC 6.01	31261501
UNSPSC 7.0901	31261501
UNSPSC 11	31261501
UNSPSC 12.01	31261501
UNSPSC 13.2	31261501

Drawings

Dimensioned drawing



USB memory stick, IP67