

Power connectors - CUC-PPC-C2ZNI-SS/24FKP5 - 1421785

Please be informed that the data shown in this PDF Document is generated from our Online Catalog. Please find the complete data in the user's documentation. Our General Terms of Use for Downloads are valid (<http://phoenixcontact.com/download>)




Power connectors, degree of protection: IP65/IP67, number of positions: 5, material: Zinc die-cast, connection cross section: AWG 18- 13, cable outlet: straight

Your advantages

- Fixed coding
- Increased temperature range
- Lockable
- One-part housing



Key Commercial Data

Packing unit	1 pc
GTIN	 4 055626 299792
GTIN	4055626299792

Technical data

Dimensions

External cable diameter	6.5 mm ... 9 mm
Type	fixed coding
Width	31 mm
Height	36 mm
Length	67 mm

Ambient conditions

Degree of protection	IP65/IP67
Ambient temperature (operation)	-40 °C ... 85 °C
Ambient temperature (assembly)	-10 °C ... 40 °C
Ambient temperature (storage/transport)	-40 °C ... 85 °C

General data

Power connectors - CUC-PPC-C2ZNI-SS/24FKP5 - 1421785

Technical data

General data

Note	This product corresponds to the PROFINET Cabling and Interconnection Technology Guideline for PROFINET regulations, version 2.00, order no: 2.252, Chapter 11 Connectors for 24 Volt Power Supply Cabling and Chapter 13 Application specific Cabling and Interconnection Technology (AIDA)
Rated current at 40°C	16 A
Rated voltage	24 V
Number of positions	5
Degree of pollution	3
Alternative short product description	MSTB connector
Locking type	Push Pull
Rated voltage (II/2)	630 V
Rated voltage (III/2)	400 V
Rated voltage	250 V
Rated surge voltage (II/2)	4 kV
Rated surge voltage (III/2)	4 kV
Rated surge voltage (III/3)	4 kV
Rated current	16 A
Rated voltage (III/3)	24 V
Conductor cross section	0.75 mm ² ... 2.5 mm ²
Connection cross section AWG	18 ... 13
Contact material	Copper alloy
Contact carrier material	PA
Contact surface material	Gold over nickel
Housing material	Zinc die-cast
Degree of protection	IP65/IP67
Rated current	16 A

Characteristics head 1

Stripping length of the individual wire	10 mm
Stripping length of the sheath	40 mm

Standards and Regulations

Flammability rating according to UL 94	V0
--	----

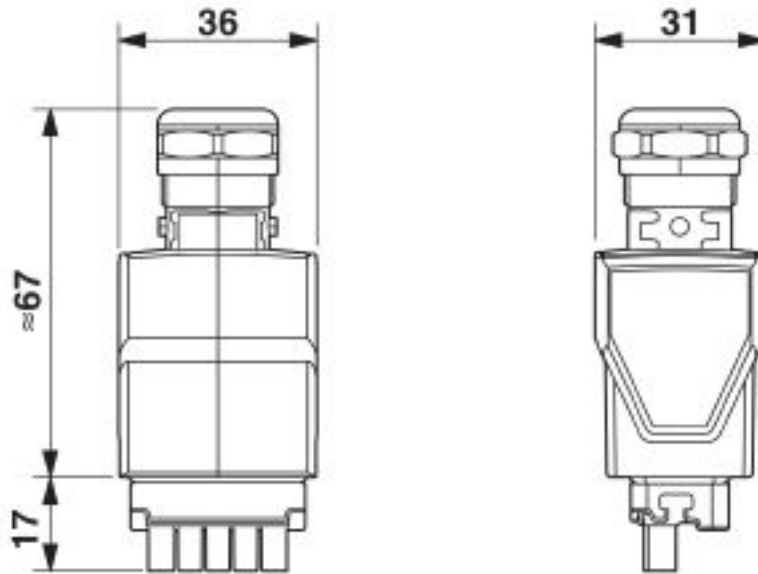
Environmental Product Compliance

REACH SVHC	Lead 7439-92-1
China RoHS	Environmentally Friendly Use Period = 50 years
	For details about hazardous substances go to tab "Downloads", Category "Manufacturer's declaration"

Drawings

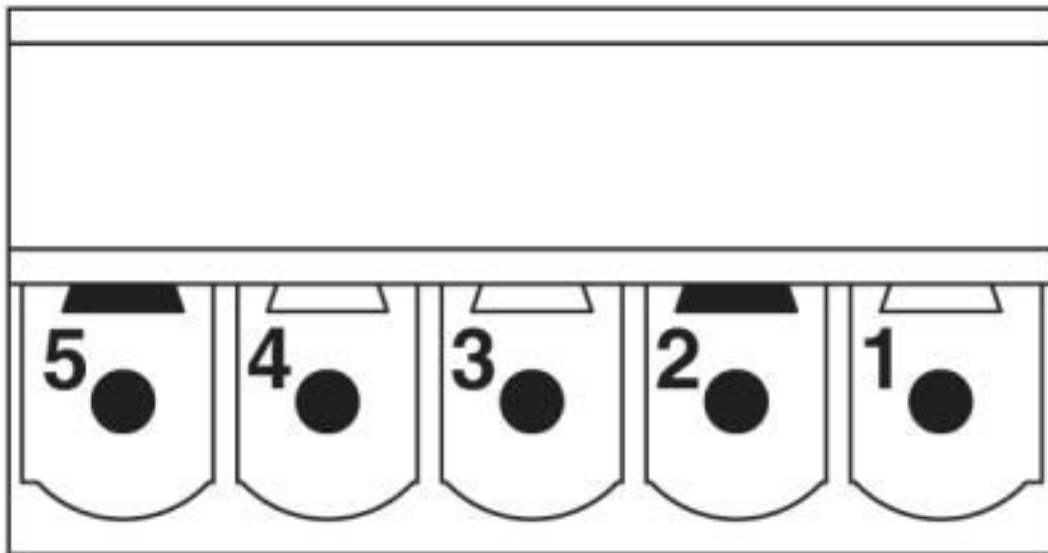
Power connectors - CUC-PPC-C2ZNI-SS/24FKP5 - 1421785

Dimensional drawing



Push/pull connector

Schematic diagram



Pin assignment PROFINET push-pull, power connector, 24 V, fixed coding

Classifications

eCl@ss

eCl@ss 10.0.1	27440101
eCl@ss 4.0	27260700

Power connectors - CUC-PPC-C2ZNI-SS/24FKP5 - 1421785

Classifications

eCl@ss

eCl@ss 4.1	27260700
eCl@ss 5.0	27260700
eCl@ss 5.1	27260700
eCl@ss 6.0	27260700
eCl@ss 7.0	27440101
eCl@ss 8.0	27440101
eCl@ss 9.0	27440101

ETIM

ETIM 2.0	EC000438
ETIM 3.0	EC000438
ETIM 4.0	EC000438
ETIM 5.0	EC002636
ETIM 6.0	EC002636
ETIM 7.0	EC002636

UNSPSC

UNSPSC 6.01	30211923
UNSPSC 7.0901	39121522
UNSPSC 11	39121522
UNSPSC 12.01	39121522
UNSPSC 13.2	39121409
UNSPSC 18.0	39121409
UNSPSC 19.0	39121409
UNSPSC 20.0	39121409
UNSPSC 21.0	39121409

Approvals

Approvals

Approvals

EAC / cULus Recognized

Ex Approvals

Approval details

Power connectors - CUC-PPC-C2ZNI-SS/24FKP5 - 1421785

Approvals

EAC		B.01687
-----	--	---------

cULus Recognized		http://database.ul.com/cgi-bin/XYV/template/LISEXT/1FRAME/index.htm	E118976-20080903
Nominal voltage UN	24 V		
Nominal current IN	16 A		
mm ² /AWG/kcmil	14		

Accessories

Accessories

Cable end sleeve

Ferrule - AI 1,5 -10 BK - 3200195



Ferrule, sleeve length: 10 mm, length: 16 mm, color: black

Ferrule - AI 2,5 -10 BU - 3202533



Ferrule, sleeve length: 10 mm, length: 17 mm, color: blue

Tool - CRIMPFOX ZA 3 - 1201882



Crimping pliers, for ferrules in accordance with DIN 46228-1: 1992-08 and DIN 46228-4: 1990-09

Additional products

Power connectors - CUC-PPC-C2ZNI-SS/24FKP5 - 1421785

Accessories

Panel mounting frames - VS-PPC-F2-MSTB-MNNA-1R-P - 1608087



MSTB panel mounting frame, IP67, for push-pull interlocking, metal, for PCB connection, for square panel cutout, with grommet, without mounting screws

Panel feed-through - CUC-V14-F2ZNI-EM/24FN5:FC - 1408235



Push/pull panel mounting frame, metal, version 14, including contact insert with spring-cage connection, flexible coding, for rectangular mounting cutout, with seal, without fixing screws

Panel mounting frames - CUC-V14-F2ZNI-SC/24FN5:FC - 1409036



MSTB panel mounting frame, IP67, for push-pull interlocking, metal, with integrated contact insert for conductor connection, spring-cage connection, 24 V, for round mounting cutout, with seal, without mounting screws

Female insert - VS-MSTBAH 2,5/ 5-GB-5,08-BK-A - 1657915



MSTB contact insert, for PCB assembly, 24 V, 5-pos., with angled solder pins, RAL 9005 (black), for panel mounting frame VS-PPC-F2-MSTB-...-1R-P

Female insert - VS-MSTBVA 2,5/ 5-GB-5,08-BK-A - 1609565



MSTB contact insert, for PCB assembly, 24 V, 5-pos., with straight solder pins, RAL 9005 (black), for panel mounting frame VS-PPC-F2-MSTB-...-1R-P

Power connectors - CUC-PPC-C2ZNI-SS/24FKP5 - 1421785

Accessories

Protective cap - VS-PPC-F2-PC-POBK - 1405329



Protective cap, IP65, with push-pull locking for covering the contact insert in the push-pull connector for Power, plastic

Power distributor - VS-PPC-J-4X-1227 - 1405387



Power H distributor, 4 x MSTB contact inserts, metal housing, without mounting screws

Y distributor - VS-PPC-J-1220-1227-1020-... - 1405484



PROFINET Y distributor with assembled power line, 5-pos., IP65/IP67, MSTB plug with metal housing on 2x socket in metal housing, variable cable length

Phoenix Contact 2020 © - all rights reserved
<http://www.phoenixcontact.com>

PHOENIX CONTACT GmbH & Co. KG
Flachsmarktstr. 8
32825 Blomberg
Germany
Tel. +49 5235 300
Fax +49 5235 3 41200
<http://www.phoenixcontact.com>