

Power cable - SAC-5P-10,0-510/M12FRL FE - 1424624

Please be informed that the data shown in this PDF Document is generated from our Online Catalog. Please find the complete data in the user's documentation. Our General Terms of Use for Downloads are valid (<http://phoenixcontact.com/download>)



Power cable, 5-position, PVC, gray RAL 7001, Socket angled M12, L-coded, on free cable end, cable length: 10 m

Why buy this product

- Easy and safe: 100% electrically tested plug-in components
- High-performance: DC connectors for up to 12 A and 63 V DC
-



Key Commercial Data

| | |
|--------------|---------------|
| Packing unit | 1 STK |
| GTIN | |
| GTIN | 4055626375496 |

Technical data

Dimensions

| | |
|-----------------|------|
| Length of cable | 10 m |
|-----------------|------|

Ambient conditions

| | |
|---------------------------------|----------------------------------|
| Ambient temperature (operation) | -25 °C ... 85 °C (Plug / socket) |
| Degree of protection | IP65 |
| | IP67 |
| | IP68 |

General

| | |
|-----------------------|-----------|
| Rated current at 40°C | 12 A |
| Rated voltage | 63 V (DC) |
| | 63 V DC |
| Number of positions | 5 |
| Color handle area | black |

Power cable - SAC-5P-10,0-510/M12FRL FE - 1424624

Technical data

General

| | |
|------------------------------|-------------------------------|
| Insulation resistance | ≥ 100 MΩ |
| Coding | L - Power |
| Standards/regulations | M12 connector IEC 61076-2-111 |
| Status display | No |
| Protective circuit/component | Unwired |
| Overvoltage category | III |
| Degree of pollution | 3 |
| Insertion/withdrawal cycles | ≥ 100 |
| Torque | 0.4 Nm (M12 connector) |

Material

| | |
|--|------------------------------|
| Flammability rating according to UL 94 | V0 |
| Contact material | CuSn |
| Contact surface material | Ni/Au |
| Contact carrier material | PA |
| Material of grip body | PA |
| Material, knurls | Zinc die-cast, nickel-plated |

Standards and Regulations

| | |
|--|-----------------|
| Standard designation | M12 connector |
| Standards/regulations | IEC 61076-2-111 |
| Flammability rating according to UL 94 | V0 |

Cable

| | |
|---|---------------------------------|
| Cable type | PVC gray |
| Cable type (abbreviation) | 510 |
| UL AWM style | 20233 / 10493 (80°C/300 V) |
| Conductor cross section | 5x 1.5 mm ² |
| AWG power supply | 16 |
| Conductor structure, voltage supply | 78x 0.15 mm |
| Core diameter including insulation | 2.35 mm ±0.05 mm |
| Thickness, insulation | ≥ 0.25 mm |
| Wire colors | Brown, white, blue, black, gray |
| External sheath, color | gray RAL 7001 |
| Outer sheath thickness | approx. 1.3 mm |
| External cable diameter D | 9.1 mm ±0.25 mm |
| Minimum bending radius, fixed installation | 5 x D |
| Minimum bending radius, flexible installation | 10 x D |
| Number of bending cycles | 2000000 |
| Minimum bending radius, drag chain applications | 10 x D |
| Traversing path | 10 m |
| Traversing rate | 3 m/s |

Power cable - SAC-5P-10,0-510/M12FRL FE - 1424624

Technical data

Cable

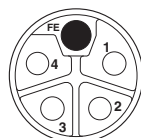
| | |
|---------------------------------|---|
| Acceleration | 10 m/s ² |
| Outer sheath, material | PVC |
| Material conductor insulation | PVC |
| Conductor material | Bare Cu litz wires |
| Insulation resistance | ≥ 1 GΩ*km (at 20 °C) |
| Conductor resistance | ≤ 13 Ω/km (at 20 °C) |
| Nominal voltage, cable | ≤ 300 V AC |
| Test voltage, cable | ≥ 3000 V AC (Spark test) |
| Flame resistance | According to UL 758/1581 (Cable Flame) |
| | according to UL 758/1581 FT1 |
| | According to DIN EN 60332-1-2 |
| Resistance to oil | According to DIN EN 60811-404, 168 h at 60 °C |
| Ambient temperature (operation) | -40 °C ... 80 °C (cable, fixed installation) |
| | -20 °C ... 80 °C (cable, flexible installation) |

Environmental Product Compliance

| | |
|------------|---|
| REACH SVHC | Lead 7439-92-1 |
| China RoHS | Environmentally Friendly Use Period = 50 |
| | For details about hazardous substances go to tab "Downloads", Category "Manufacturer's declaration" |

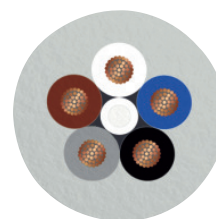
Drawings

Schematic diagram



Pin assignment of M12 socket, 5-pos., L-coded, socket side view

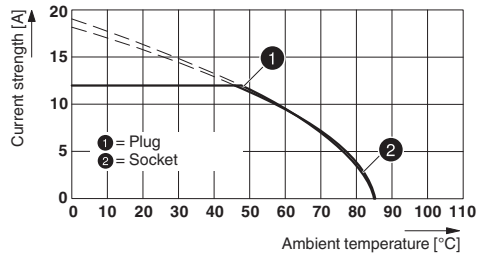
Cable cross section



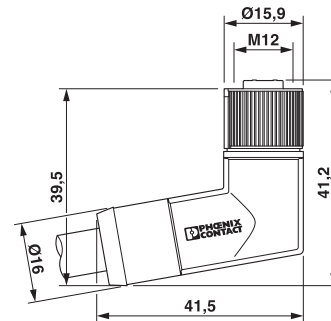
PVC gray [510]

Power cable - SAC-5P-10,0-510/M12FRL FE - 1424624

Diagram



Dimensional drawing



M12 x 1 socket, angled

Circuit diagram



Contact assignment of the M12 socket

Approvals

Approvals

Approvals

EAC

Ex Approvals

Approval details

| | | |
|-----|--|---------------|
| EAC | | EAC-Zulassung |
|-----|--|---------------|

Phoenix Contact 2018 © - all rights reserved
<http://www.phoenixcontact.com>

PHOENIX CONTACT GmbH & Co. KG
Flachmarktstr. 8
32825 Blomberg
Germany
Tel. +49 5235 300
Fax +49 5235 3 41200
<http://www.phoenixcontact.com>