


# Connectors - SACC-MS-5SC M SCO - 1432567

Please be informed that the data shown in this PDF Document is generated from our Online Catalog. Please find the complete data in the user's documentation. Our General Terms of Use for Downloads are valid (<http://download.phoenixcontact.com>)



Sensor/actuator connector, male, straight, 5-pos., M12 SPEEDCON, A-coded, spring-cage connection, metal knurl, cable diameter max. 8 mm

## Key commercial data

Packing unit	0
Minimum order quantity	1
Catalog page	Page 72 (PC-2011)
GTIN	 4 046356 348157
Custom tariff number	85366990
Country of origin	GERMANY

## Technical data

### General data

Rated current at 40°C	4 A
Rated voltage	60 V
Number of positions	5
Volume resistance	≤ 8 mΩ
Insulation resistance	≥ 100 MΩ
Ambient temperature (operation)	-40 °C ... 85 °C (Male connector / female connector)

### General characteristics

Standards/regulations	M12 connector IEC 61076-2-101
Coding	A - standard
Surge voltage category	II
Pollution degree	3
Degree of protection	IP67
Torque	0.4 Nm (M12 knurl)
Torque	0.4 Nm (Connector with coupling sleeve)
Torque	1.5 Nm (Pressure nut with coupling sleeve)
Contact material	CuSn
Contact surface material	Ni/Au
Contact carrier material	TPU

# Connectors - SACC-MS-5SC M SCO - 1432567

## Technical data

### General characteristics

Material of grip body	PA 66
Material, knurls	Nickel-plated brass
Sealing material	NBR
Connection method	Spring-cage conn.
Conductor cross section	0.14 mm <sup>2</sup> ... 0.5 mm <sup>2</sup>
AWG conductor cross section	26 ... 20
External cable diameter	4 mm ... 8 mm
Status display	No
Stripping length of the sheath	28 mm
Stripping length of the individual wire	11 mm

## Classifications

### eclass

eCl@ss 4.0	27060306
eCl@ss 4.1	27060306
eCl@ss 5.0	27061801
eCl@ss 5.1	27061801
eCl@ss 6.0	27279218
eCl@ss 7.0	27279218

### etim

ETIM 3.0	EC001855
ETIM 4.0	EC002062

### unspsc

UNSPSC 6.01	31261501
UNSPSC 7.0901	31261501
UNSPSC 11	31261501
UNSPSC 12.01	31261501
UNSPSC 13.2	31261501

## Approvals

### Approvals

---

#### Approvals

UL Recognized / cUL Recognized / GOST / cULus Recognized

---

#### Ex Approvals

---

## Connectors - SACC-MS-5SC M SCO - 1432567

### Approvals

Approvals submitted

#### Approval details

UL Recognized	
Nominal current I <sub>N</sub>	4 A
Nominal voltage U <sub>N</sub>	125 V

cUL Recognized	
Nominal current I <sub>N</sub>	4 A
Nominal voltage U <sub>N</sub>	125 V

GOST	
------	--

cULus Recognized	
------------------	--

### Accessories

Accessories

Cable/conductor

Sensor/Actuator cable - SAC-5P-100,0-PUR/0,34 - 1501676



Cable ring, PUR halogen-free black, 5-pos., conductor colors: Brown/white/blue/black/green-yellow, cable length: 100 m

Protection and sealing elements

## Connectors - SACC-MS-5SC M SCO - 1432567

### Accessories

Sealing cap - PROT-M12 FS-PA-CHAIN - 1430873

M12 sealing cap made of plastic with fixing band, for sensor cables, for free M12 sockets



---

### Tools

Torque screwdriver - TSD 04 SAC - 1208429



Torque screwdriver, with preset torque of 0.4 Nm and 4 mm hexagonal drive for M12 connectors

---

Tool - SACC BIT M12-D20 - 1208445



Nut for assembling SACC M12 connectors for free assembly, excluding M12 connectors with QUICKON fast connection technology, for 4 mm hexagonal drive

---

Torque screwdriver - TSD-M 1,2NM - 1212224



Torque screw driver, accuracy as per EN ISO 6789 standard, adjustable from 0.3 - 1.2 Nm

---

Adapter insert - TSD-M SAC-BIT ADAPTER - 1212600



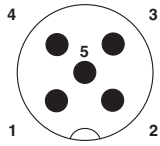
Adapter bit for TSD-M...torque tools, E6.3-1/4" drive with 4 mm hexagon to accommodate SAC bits

---

### Drawings

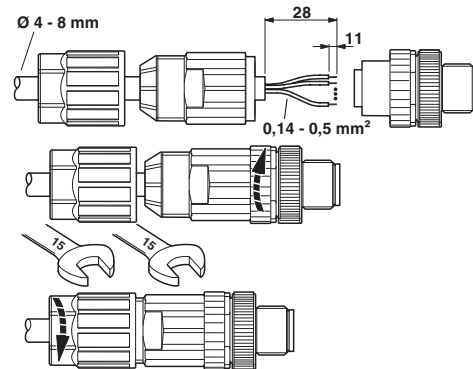
## Connectors - SACC-MS-5SC M SCO - 1432567

### Schematic diagram



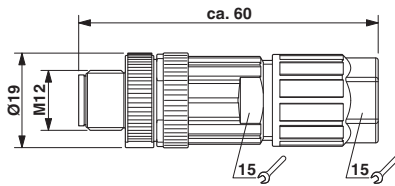
Pin assignment M12 male connector, 5-pos., A-coded, male side

### Functional drawing



Stripping length 28 mm, for angled design 35 mm. Stripping the cable. Strip individual wires, slide the pressure nut onto the cable. Thread the wires through the housing and connect them. Screw the body of the connector onto the housing, tighten the pressure nut.

### Dimensioned drawing



M12 SPEEDCON connector, straight