

PLEASE CHECK WWW.MOLEX.COM FOR LATEST PART INFORMATION

Part Number: **0039000325**
Status: **Active**
Overview: standard_093
Description: 2.36mm (.093") Diameter, Standard .093" Pin and Socket Crimp Terminal, Series 1434, Male, with Gold (Au) over Nickel Plated Brass Contact, 24-28 AWG, Reel

Documents:

[Drawing \(PDF\)](#) [Product Specification PS-1434-002 \(PDF\)](#)
[Product Specification PS-1434-001 \(PDF\)](#) [RoHS Certificate of Compliance \(PDF\)](#)

General

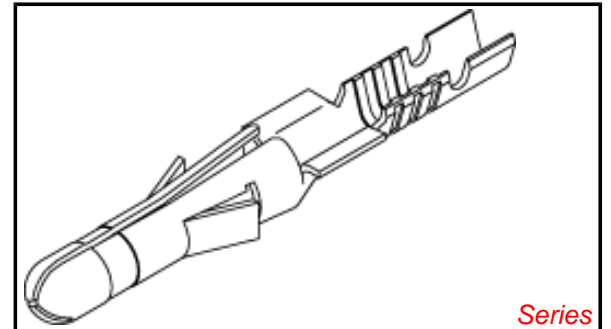
Product Family	Crimp Terminals
Series	<u>1434</u>
Crimp Quality Equipment	Yes
Overview	<u>standard_093</u>
Product Name	Standard .093"
Physical	
Gender	Male
Material - Metal	Brass
Material - Plating Mating	Gold
Material - Plating Termination	Gold
Packaging Type	Reel
Plating min: Mating (µin)	14
Plating min: Mating (µm)	0.35
Plating min: Termination (µin)	14
Plating min: Termination (µm)	0.35
Termination Interface: Style	Crimp or Compression
Wire Insulation Diameter	0.80-1.50mm (.031-.059")
Wire Size AWG	24, 26, 28
Wire Size mm ²	N/A

Material Info

Old Part Number 1434G

Reference - Drawing Numbers

Product Specification PS-1434-001, PS-1434-002
 Sales Drawing SD-1434*



Series

image - Reference only

EU RoHS

ELV and RoHS Compliant

REACH SVHC

Contains SVHC: No

Halogen-Free

Status

Not Reviewed

China RoHS



Need more information on product environmental compliance?

Email productcompliance@molex.com
 For a multiple part number RoHS Certificate of Compliance, [click here](#)

Please visit the [Contact Us](#) section for any non-product compliance questions.

Search Parts in this Series

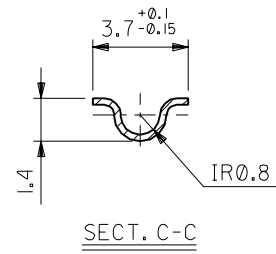
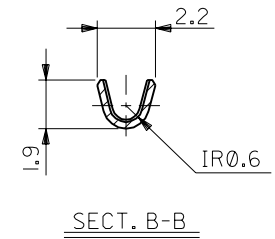
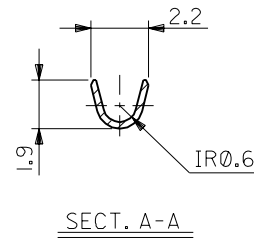
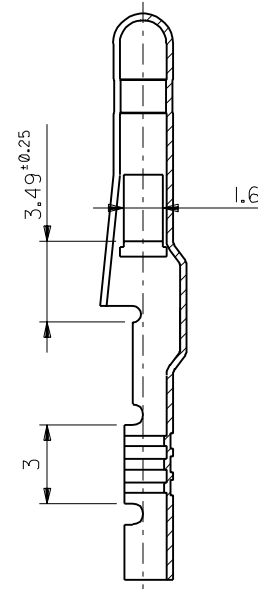
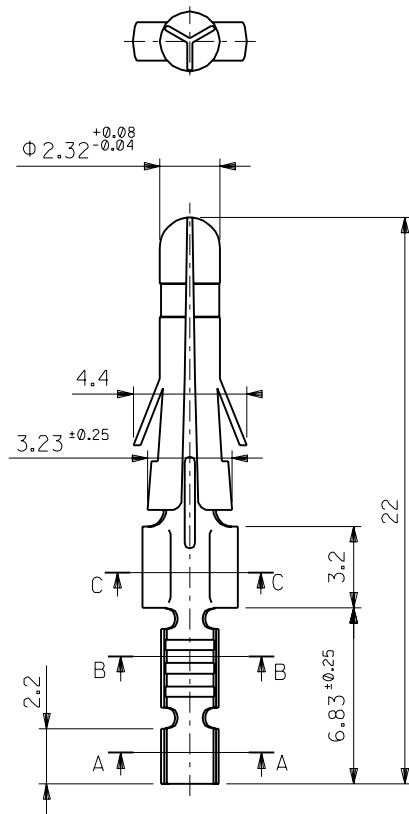
1434Series

Application Tooling | FAQ

Tooling specifications and manuals are found by selecting the products below. Crimp Height Specifications are then contained in the Application Tooling Specification document.

Global

Description	Product #
Mini-Mac™ Applicator	<u>0638924100</u>
HAND CRIMP TOOL	<u>0638117100</u>
Extraction Tool	<u>0011030006</u>



注記 NOTES:
 1. 一般公差 : ± 0.4
 GENERAL TOLERANCES : ± 0.4

ニッケル (2 μ m MIN.) 下地 金 (0.35 μ m MIN.) GOLD (0.35 μ m MIN.) OVER NICKEL (2 μ m MIN.)	39-00-0326	I434GL	バラ端子 LOOSE
銅 (0.5 μ m MIN.) 下地 錫 (0.9 μ m MIN.) TIN (0.9 μ m MIN.) OVER COPPER (0.5 μ m MIN.)	39-00-0324	I434TL	バラ端子 LOOSE
メッキ PLATING	39-00-0323	I434T	連鎖状端子 CHAIN
	EDP.NO.	ENG.NO.	形状 FORM

材料 MATERIAL 黄銅 0.264t BRASS 0.264t	材料 MATERIAL 黄銅 0.264t BRASS 0.264t
仕上げ FINISH	仕上げ FINISH
適用電線範囲 WIRE RANGE AWG#24-#28	適用電線範囲 WIRE RANGE AWG#24-#28
被覆外径 INS. RANGE $\Phi 0.8 \sim 1.5$	被覆外径 INS. RANGE $\Phi 0.8 \sim 1.5$
DRAWN BY '93/06/18 H.HASEGAWA	CHK'D BY '93/06/18 H.HIRAMOTO
APP'D BY '93/06/18 M.FUKUSHIMA	尺度 SCALE 5 : 1
記号 LTR	変更内容 REVISION RECORD
DR. CHK.	日付 DATE
J	REDRAWN 再作図 (J30539)
	h.h '93/06/18

材料 MATERIAL 黄銅 0.264t BRASS 0.264t		molex MOLEX-JAPAN CO.,LTD. 日本モレックス株式会社	
REVISE ONLY ON CAD SYSTEM			
TITLE 名称			
.093 DIA. MALE TERM.			
DWG. NO.		REV	
SD-1434*		J	