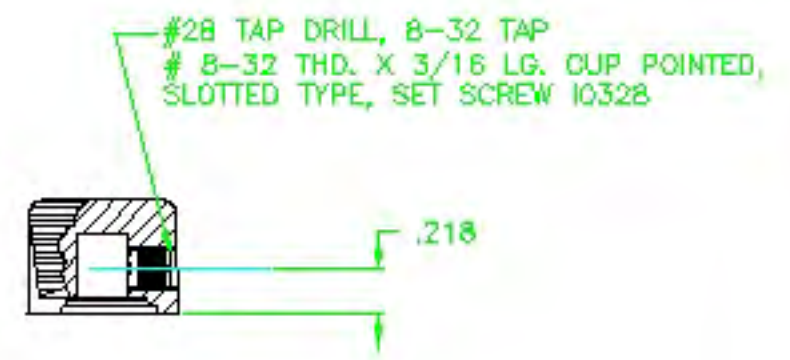
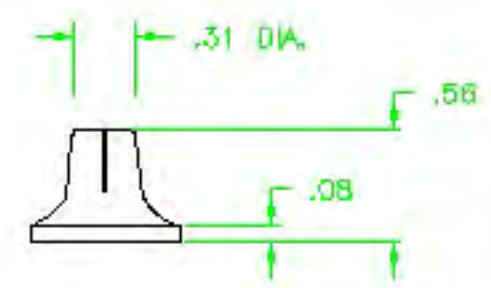
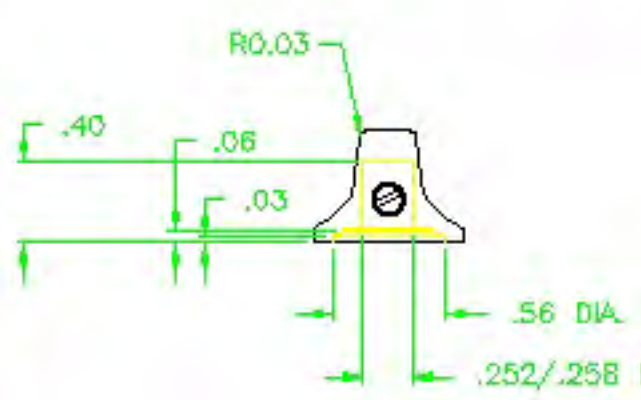
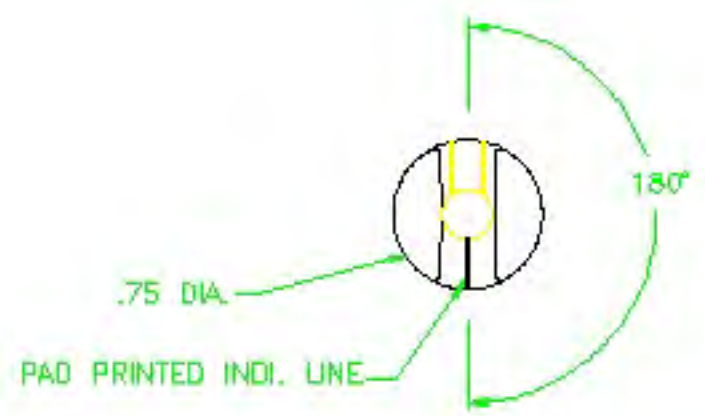


PART NAME: KNOB SCALE: 1:1 DATE: 7/17/98 DR. BY: HD

DAVIES MOLDING COMPANY
CAROL STREAM, ILLINOIS 60188

P/N 1510AH
BASE PART 1510-01
SET SCREW 10328

THIS DRAWING IS THE PROPERTY OF DAVIES MOLDING COMPANY, IS SUBMITTED SOLELY AS A DESIGN OR ENGINEERING PROJECT. WE ACCEPT NO RESPONSIBILITY WHATSOEVER FOR THE PRACTICAL APPLICATION OF THE PIECES MADE TO THIS DESIGN.



MATERIAL: #2511 PLENCO PHENDLIC (B11)
COLOR: BLACK

TOLERANCES: UNLESS OTHERWISE SPECIFIED	DO NOT SCALE DRAWING			
DECIMALS: X.XXX ± .005 X.XX ± .015	MM: X.XX ± 0.15MM X.X ± 0.4MM	-	UPDATED/HND TOOLBOX	EV. 7/23/02
FRACTIONS ± 1/64	ANG. ± °	CHANGES		

Davies Molding:

1510AH 1510AH-N