

# Sensor/actuator box - SACB-4/ 8-L-M23 180



1692682

<https://www.phoenixcontact.com/za/products/1692682>

Please be informed that the data shown in this PDF document is generated from our Online Catalog. Please find the complete data in the user documentation. Our General Terms of Use for Downloads are valid.



Sensor/actuator box, application: Standard, connection method: M12 socket Plastic, number of slots: 4, number of positions: 5, coding: A - standard, slot assignment: Double, status display: yes, pnp; master cable connection: M23 plug connection 180°, shielding: no

## Your advantages

- Safety in the field, thanks to molded housing and high degree of protection
- Convenient: increased machine availability thanks to quick and easy diagnostics
- Save space: distributor box with double occupancy for two sensors in one slot

## Commercial Data

|                                      |                    |
|--------------------------------------|--------------------|
| Item number                          | 1692682            |
| Packing unit                         | 1 pc               |
| Minimum order quantity               | 1 pc               |
| Sales Key                            | 021                |
| Product Key                          | BF3CBB             |
| Catalog Page                         | Page 114 (PC-2009) |
| GTIN                                 | 4017918177751      |
| Weight per Piece (including packing) | 125,7 g            |
| Weight per Piece (excluding packing) | 125,7 g            |
| Customs tariff number                | 85366990           |
| Country of origin                    | DE                 |

# Sensor/actuator box - SACB-4/ 8-L-M23 180



1692682

<https://www.phoenixcontact.com/za/products/1692682>

## Technical Data

### Notes

|                       |  |
|-----------------------|--|
| Assembly instruction: | <b>NOTE:</b> Observe the permissible bending radii when laying conductors, since the degree of protection may be put in jeopardy if the bending forces are too high. Alleviate mechanical loads upstream of the connector, e.g. by using cable ties. |
| Note on application   | Unused slots are to be sealed off prior to commissioning. Suitable sealing elements are to be found under "Accessories".   |

### Product properties

|                     |  |
|---------------------|--|
| Product type        | Distributor boxes with M8 to M12 slots |
| Number of positions | 5                                      |
| Application         | Standard                               |
| Number of slots     | 4                                      |
| Coding              | A - standard                           |

### Dimensions

|                     |        |
|---------------------|--------|
| Dimensional drawing |        |
| Width               | 54 mm  |
| Height              | 34 mm  |
| Length              | 117 mm |

### Ambient conditions

|                                 |                  |
|---------------------------------|------------------|
| Degree of protection            | IP65<br>IP67     |
| Ambient temperature (operation) | -20 °C ... 75 °C |

### LED signaling

|                        |     |
|------------------------|-----|
| Status display present | yes |
|------------------------|-----|

### Electrical properties

|   |   |
|---|---|
| Max. operating voltage $U_{max}$        | 30 V DC   |
| Local diagnostics                       | Supply voltage Green LED<br>Status display I/O Yellow LED |
| Nominal voltage $U_N$                   | 24 V DC   |
| Rated current, total                    | 12 A  |
| Max. current carrying capacity per path | 2 A   |

# Sensor/actuator box - SACB-4/ 8-L-M23 180



1692682

<https://www.phoenixcontact.com/za/products/1692682>

|                                    |     |
|------------------------------------|-----|
| Current carrying capacity per slot | 4 A |
|------------------------------------|-----|

## Connection data

### Pin assignment

|  |                       |
|--|-----------------------|
| Slot/position = Wire color or connection | 1 / 4 (A) = 15        |
|  | 1 / 2 (B) = 7         |
|  | 2 / 4 (A) = 5         |
|  | 2 / 2 (B) = 4         |
|  | 3 / 4 (A) = 16        |
|  | 3 / 2 (B) = 8         |
|  | 4 / 4 (A) = 3         |
|  | 4 / 2 (B) = 14        |
|  | 1-4 / 1 (+ 24 V) = 19 |
|  | 1-4 / 3 (0 V) = 6     |
|  | 1-4 / 5 (PE) = 12     |

## Material specifications

|  |             |
|--|-------------|
| Color  | green       |
| Flammability rating according to UL 94                   | V0          |
| Material of threaded sleeve                              | PA          |
| Contact material   | CuSn        |
| Contact surface material                                 | Ni/Au       |
| Contact carrier material                                 | PA          |
| Material of contact, master cable side                   | CU alloy    |
| Material of the contact carrier on the master cable side | PA          |
| Material of contact surface, master cable side           | gold-plated |
| O-ring material  | NBR         |
| Housing material   | PA          |

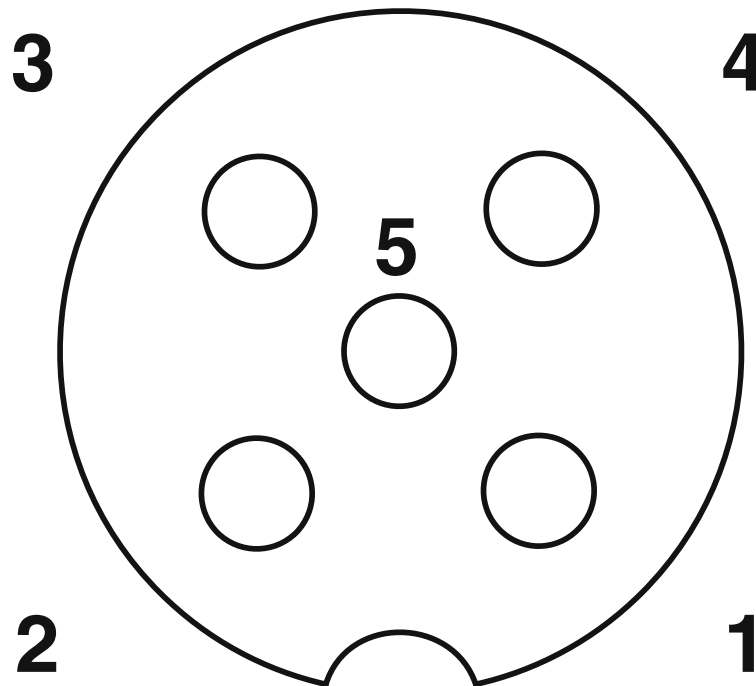
## Cable / line

### Master cable data/connection data

|  |                     |
|--|---------------------|
| Sensor/actuator connection system            | M12 socket          |
| Connection method                            | M23 plug connection |
| Tightening torque slot sensor/actuator cable | 0.4 Nm              |

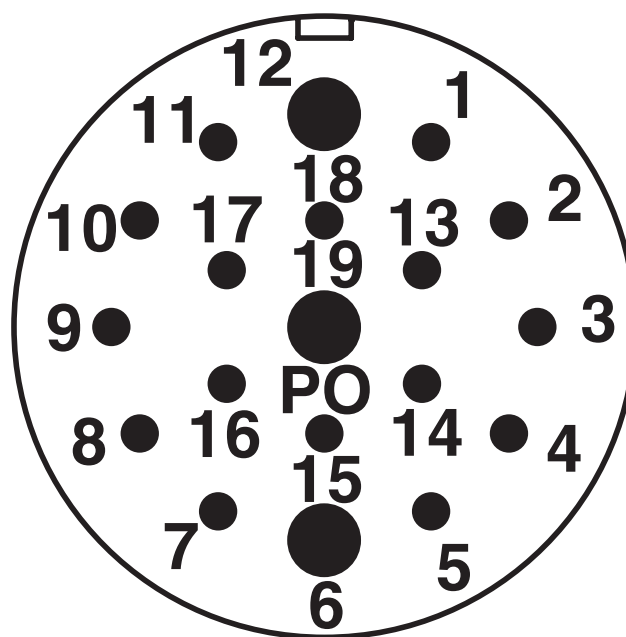
Drawings

Schematic diagram



M12 slot, socket, 5-pos.

Schematic diagram



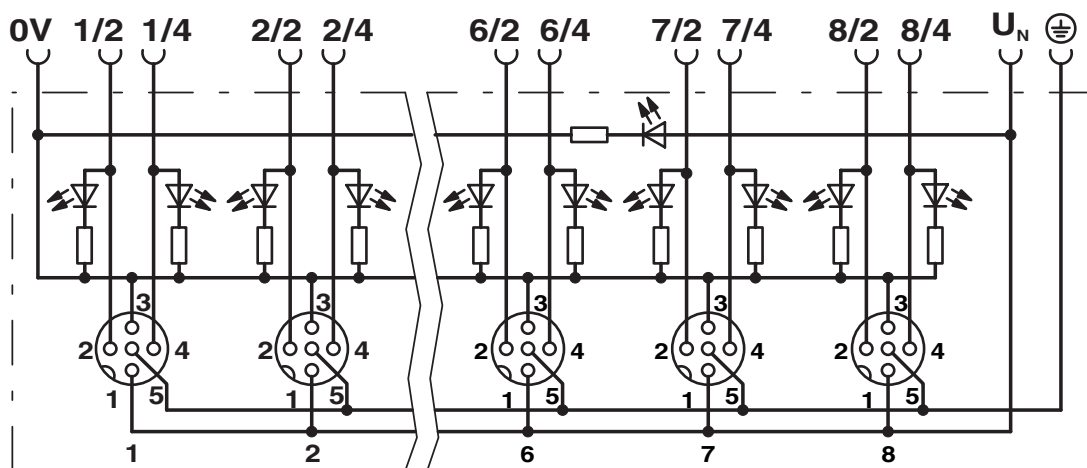
M23 plug connection pin, 19-pos.

# Sensor/actuator box - SACB-4/ 8-L-M23 180

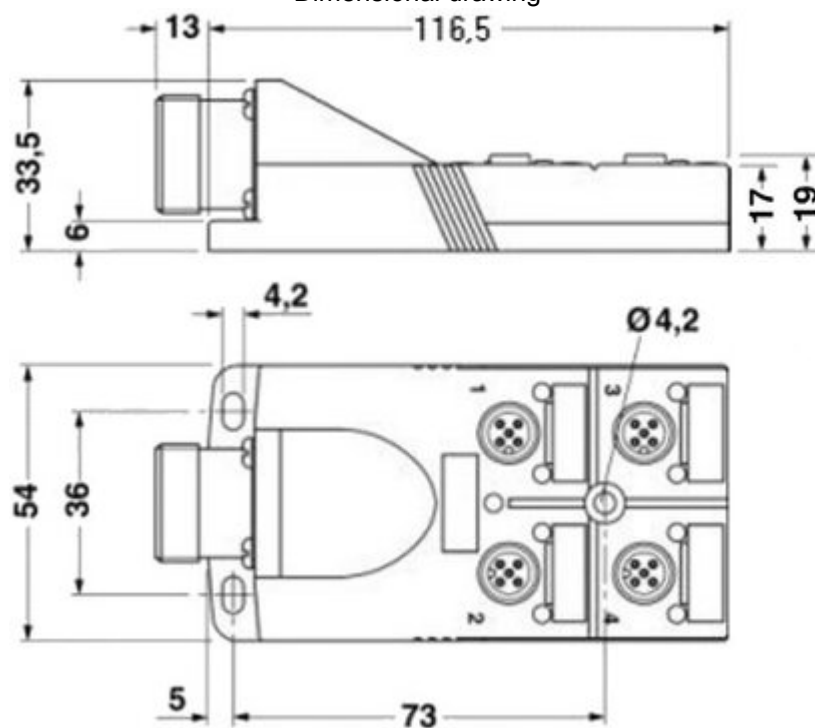
1692682

<https://www.phoenixcontact.com/za/products/1692682>

Circuit diagram



Dimensional drawing



# Sensor/actuator box - SACB-4/ 8-L-M23 180



1692682

<https://www.phoenixcontact.com/za/products/1692682>

## Approvals

|  <b>cUL Recognized</b><br>Approval ID: FILE E 118976 |                       |                       |                   |                             |
|---|-----------------------|-----------------------|-------------------|-----------------------------|
|   | Nominal Voltage $U_N$ | Nominal Current $I_N$ | Cross Section AWG | Cross Section $\text{mm}^2$ |
|   | 24 V                  |                       | 22 - 16           | -                           |

|  <b>UL Recognized</b><br>Approval ID: FILE E 118976 |                       |                       |                   |                             |
|--|-----------------------|-----------------------|-------------------|-----------------------------|
|  | Nominal Voltage $U_N$ | Nominal Current $I_N$ | Cross Section AWG | Cross Section $\text{mm}^2$ |
|  | 24 V                  |                       | 22 - 16           | -                           |

**cULus Recognized**

# Sensor/actuator box - SACB-4/ 8-L-M23 180



1692682

<https://www.phoenixcontact.com/za/products/1692682>

## Classifications

### ECLASS

|               |          |
|---------------|----------|
| ECLASS-9.0    | 27440108 |
| ECLASS-10.0.1 | 27440111 |
| ECLASS-11.0   | 27440111 |

### ETIM

|          |          |
|----------|----------|
| ETIM 8.0 | EC003558 |
|----------|----------|

### UNSPSC

|             |          |
|-------------|----------|
| UNSPSC 21.0 | 31251500 |
|-------------|----------|

# Sensor/actuator box - SACB-4/ 8-L-M23 180



1692682

<https://www.phoenixcontact.com/za/products/1692682>

## Environmental Product Compliance

|            |  |
|------------|--|
| REACH SVHC | Lead 7439-92-1   |
| China RoHS | Environmentally Friendly Use Period = 50 years   |
|            | For information on hazardous substances, refer to the manufacturer's declaration available under "Downloads" |



# Sensor/actuator box - SACB-4/ 8-L-M23 180



1692682

<https://www.phoenixcontact.com/za/products/1692682>

## Accessories

### Master cable

Master cable - RCK-TGUM/BL16+3/ 5,0PUR-U - 1684056

<https://www.phoenixcontact.com/za/products/1684056>



Master cable, application: Sensor/actuator box Plastic, number of positions: 19, slot assignment: Double, status display: No; master cable connection: M23 plug connection, PUR/PVC, cable length: 5 m, shielding: no

---

### Master cable

Master cable - RCK-TGUM/BL16+3/10,0PUR-U - 1684069

<https://www.phoenixcontact.com/za/products/1684069>



Master cable, application: Sensor/actuator box Plastic, number of positions: 19, slot assignment: Double, status display: No; master cable connection: M23 plug connection, PUR/PVC, cable length: 10 m, shielding: no

# Sensor/actuator box - SACB-4/ 8-L-M23 180

1692682

<https://www.phoenixcontact.com/za/products/1692682>

## Master cable

Master cable - RCK-TWUM/BL16+3/ 5,0PUR-U - 1684072

<https://www.phoenixcontact.com/za/products/1684072>



Master cable, application: Sensor/actuator box, connection method: M12 socket Plastic, number of positions: 19, slot assignment: Double, status display: No; master cable connection: M23 plug connection, PUR/PVC, cable length: 5 m, shielding: no

---

## Master cable

Master cable - RCK-TWUM/BL16+3/10,0PUR-U - 1684085

<https://www.phoenixcontact.com/za/products/1684085>



Master cable, application: Sensor/actuator box, connection method: M12 socket Plastic, number of positions: 19, slot assignment: Double, status display: No; master cable connection: M23 plug connection, PUR/PVC, cable length: 10 m, shielding: no

# Sensor/actuator box - SACB-4/ 8-L-M23 180

1692682

<https://www.phoenixcontact.com/za/products/1692682>

## Female connector

Female connector - V-RC/TGUM 13/KVD 13/LBL 16+3 - 1000042

<https://www.phoenixcontact.com/za/products/1000042>



M23 socket, 19-pos., straight, freely configurable, with solder connection, for external cable diameter of 10 mm ... 14 mm

---

## Female connector

Female connector - V-RC/TWUM 13/KVD 13/LBL 16+3 - 1000044

<https://www.phoenixcontact.com/za/products/1000044>



M23 socket, 19-pos., angled, freely configurable, with solder connection, for external cable diameter of 10 mm ... 14 mm

# Sensor/actuator box - SACB-4/ 8-L-M23 180

1692682

<https://www.phoenixcontact.com/za/products/1692682>

## Screw plug

Screw plug - PROT-M12 - 1680539

<https://www.phoenixcontact.com/za/products/1680539>



An M12 screw plug for the unoccupied M12 sockets of the sensor/actuator cable, boxes and flush-type connectors

---

## Protective cap

Protective cap - MSK 1 - 1665897

<https://www.phoenixcontact.com/za/products/1665897>



M23 metal sealing cap, for unoccupied M23 connectors, without steel wire

# Sensor/actuator box - SACB-4/ 8-L-M23 180

1692682

<https://www.phoenixcontact.com/za/products/1692682>

## Protective cap

Protective cap - MSK 2 - 1665907

<https://www.phoenixcontact.com/za/products/1665907>

M23 metal sealing cap, for unoccupied M23 connectors, with steel wire



---

## Sealing cap

Sealing cap - KSK 1 - 1685013

<https://www.phoenixcontact.com/za/products/1685013>

Plastic sealing cap, for unoccupied M23 connectors



# Sensor/actuator box - SACB-4/ 8-L-M23 180



1692682

<https://www.phoenixcontact.com/za/products/1692682>

## Zack marker strip

Zack marker strip - ZBN 18:UNBEDRUCKT - 2809128

<https://www.phoenixcontact.com/za/products/2809128>



Zack marker strip, Strip, white, unlabeled, can be labeled with: CMS-P1-PLOTTER, PLOTMARK, mounting type: snapped, for terminal block width: 18 mm, lettering field size: 18 x 5 mm, Number of individual labels: 5

---

## Pipe spanner

Pipe spanner - PLUSCON-RCS - 1665062

<https://www.phoenixcontact.com/za/products/1665062>



Special pipe spanner, tool for mounting the M23 connector housing (with assembly), for coupling and sleeve housing

# Sensor/actuator box - SACB-4/ 8-L-M23 180

1692682

<https://www.phoenixcontact.com/za/products/1692682>

## Torque screwdriver

Torque screwdriver - TSD 04 SAC - 1208429

<https://www.phoenixcontact.com/za/products/1208429>



Torque screwdriver, with preset torque of 0.4 Nm and 4 mm hexagonal drive for M12 connectors

---

## Tool

Tool - SAC BIT M12-D15 - 1208432

<https://www.phoenixcontact.com/za/products/1208432>



Nut for assembling sensor/actuator cables with M12 connector and M12 connectors for assembly, with a knurl diameter of 15 mm, for 4 mm hexagonal drive

# Sensor/actuator box - SACB-4/ 8-L-M23 180



1692682

<https://www.phoenixcontact.com/za/products/1692682>

## Tool

Tool - SACC BIT M12-D20 - 1208445

<https://www.phoenixcontact.com/za/products/1208445>

Nut for assembling M12 connectors for assembly with a knurl diameter of 20 mm, for 4 mm hexagonal drive



---

Phoenix Contact 2022 © - all rights reserved

<https://www.phoenixcontact.com>

PHOENIX CONTACT (Pty) Ltd.

36 Lyn Road P.O. Box 916 ZA-Ferndale 2160

+27/11/801-8200

[info@phoenixcontact.co.za](mailto:info@phoenixcontact.co.za)